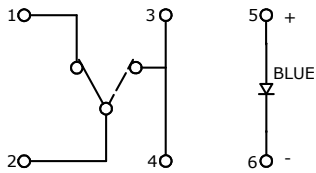
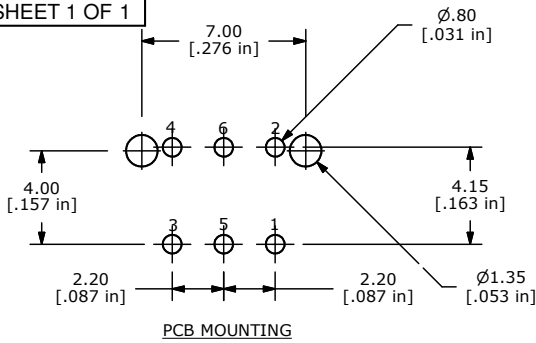
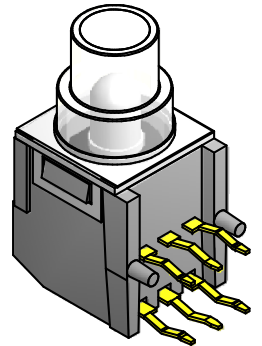
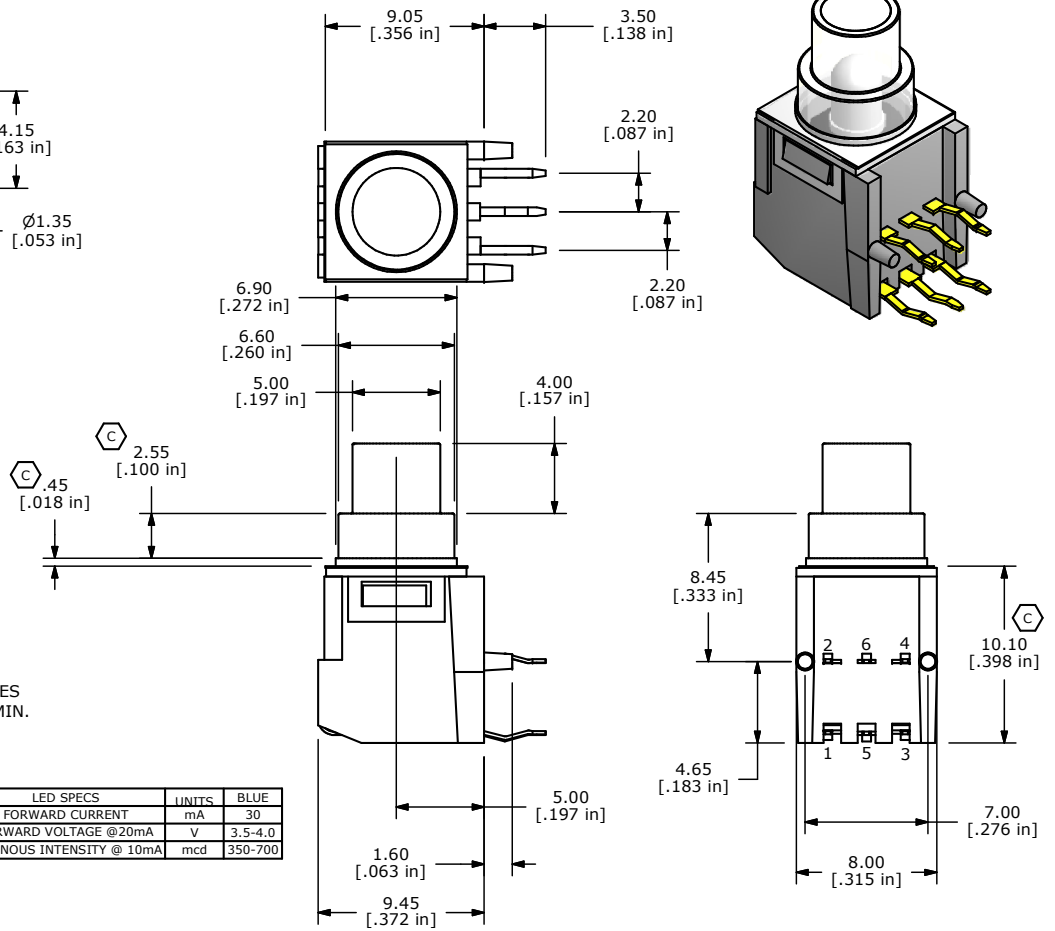


SHEET 1 OF 1



- NOTES:
1. ALL DIMENSIONS IN MM [INCH]
 2. GENERAL TOLERANCE: X.X=±0.4
X.XX=±0.25
 3. TERMINAL NUMBERS FOR REF ONLY
 4. RATING: CURRENT: 0.1mA - 100mA
VOLTAGE: 20 m VDC - 32 VDC
 5. OPERATING LIFE: 25,000 MAKE-AND-BREAK CYCLES
 6. INSULATION RESISTANCE: 500VDC, 100M OHM. MIN.
 - ▲ 7. OPERATING FORCE: 500gf ± 25%
 8. OPERATING TEMP.: -20°C to 70°C
 9. TRAVEL: 1.0 +/-0.2mm ELECTRICAL MAKE
2.0 +/- 0.2mm FULL TRAVEL
 10. CONTACT RESISTANCE: 250 m OHM. MAX.
 11. ▲ DENOTES CRITICAL PARAMETER.
 12. 2002/95/EC (ROHS) COMPLIANT
 - ▲ 13. LED COLOR: BLUE
 - ▲ 14. GOLD CONTACTS.

LED SPECS	UNITS	BLUE
FORWARD CURRENT	mA	30
FORWARD VOLTAGE @20mA	V	3.5-4.0
LUMINOUS INTENSITY @ 10mA	mcd	350-700



C	18255	ADD SOME KEY DIMENSIONS	9/19/08	BLR
B	18146	LED polarity was reversed	6/18/08	rc
A	18012	New-Release	3/13/08	rc
REV	PCR NO	DESCRIPTION	DATE	BY

THE INFORMATION CONTAINED IN THIS DOCUMENT IS PROPRIETARY TO E-SWITCH AND IS NOT TO BE COPIED OR TRANSFERRED



TITLE TL1290AF500BR

SCALE 3 = 1	DATE 9/19/2008	DR rc	DWG B210000	REV C
-------------	----------------	-------	-------------	-------