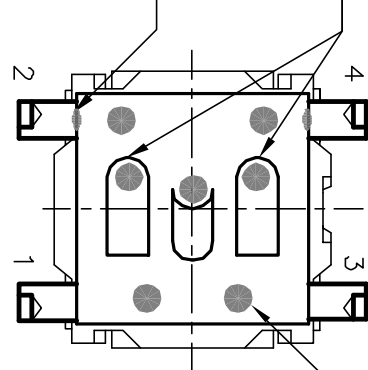


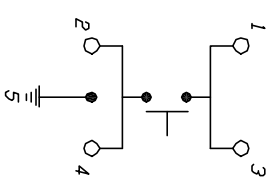
RADIUS FEATURE TO I.D. TERMINAL 2 & 4 LOCATION

EPOXY SEAL AROUND TERM# 2 & 4



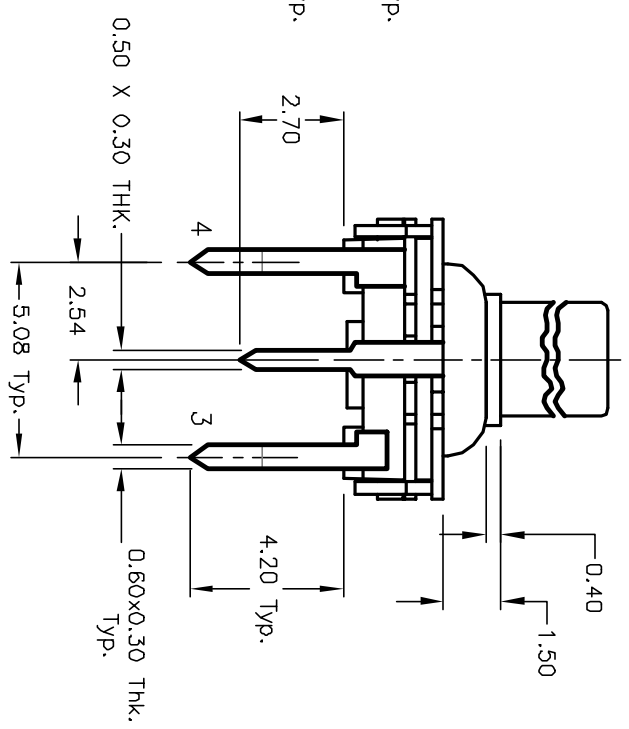
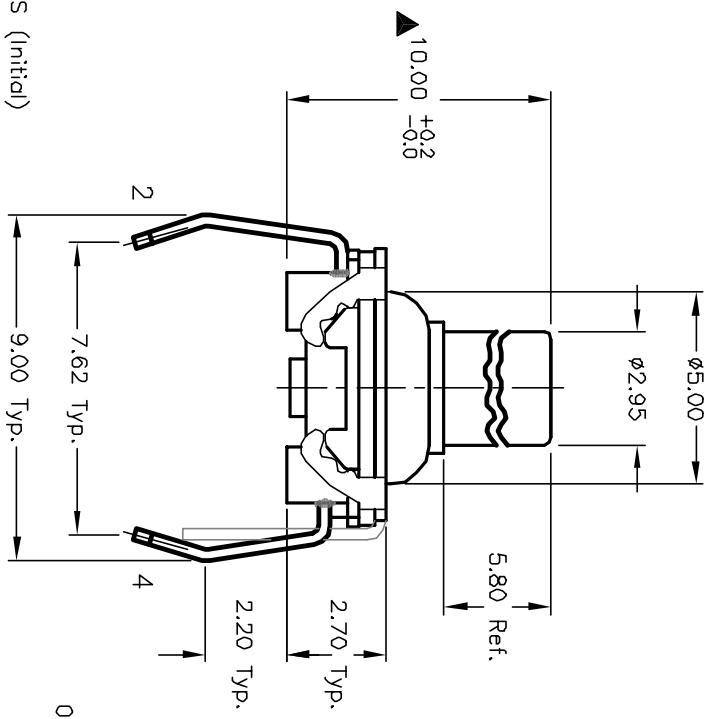
BOTTOM VIEW

RECOMMENDED P.C.B. LAYOUT



CIRCUIT: SPST

- NOTES:
1. ALL DIMENSIONS IN MM
  2. GENERAL TOLERANCE: X.X=±0.4  
X:XX=±0.25
  3. TERM. NOS. FOR REF. ONLY
  4. ACTUATION FORCE: 130±40gf
  5. TRAVEL TO MAKE: 0.3mm +0.4/0.0
  6. RATING: 30mA, @12V DC
  7. CONTACT RESISTANCE: 50 MILLI-OHMS (initial)
  8. DIELECTRIC STRENGTH: 300 V RMS min at sea level.
  9. ELECTRICAL LIFE CYCLE: 400,000 make & break cycles at full load.
  10. ▲ DESIGNATE MAJOR DIMENSIONS.
  11. OPERATING TEMP: -40°C to +85°C



**E-SWITCH®**

B	12191	REVISED NOTE 9, ADD NOTE11	5/28/02	CB
A	10812	RELEASED FOR PRODUCTION	7/27/00	MM
REV.	ECN No.	DESCRIPTION	DATE	CHKD

TITLE		SCALE		DATE		DR		DWG		REV	
GSE 10.00 F130 QP		5:1		7/27/00		MM		L400001		B	
EARTH GROUND WASHABLE TACT SWITCH											

THE INFORMATION CONTAINED IN THIS DOCUMENT IS PROPRIETARY TO E-SWITCH AND IS NOT TO BE COPIED OR TRANSFERRED