



SERIES TL 1107 SWITCHES

TACT SWITCHES - Rectangular



SPECIFICATIONS

Rating:	50mA @ 12 VDC
Life Expectancy:	50,000 to 100,000 Depending on model
Contact Resistance:	100mΩ max., typical @ 2-4 VDC 100mA for both silver and gold plated contacts
Insulation Resistance:	100mΩ min.
Dielectric Strength:	250 VAC
Operating Force:	130 ± 50 gf, 180± 50 gf, 260 ± 50 gf
Operating Temperature:	-20°C to 70°C
Travel:	.025 Typ

FEATURES & BENEFITS

- ▶ Reliable dome contact technology
- ▶ Strong tactile/audible feedback
- ▶ Multiple operating force options

APPLICATIONS/MARKETS

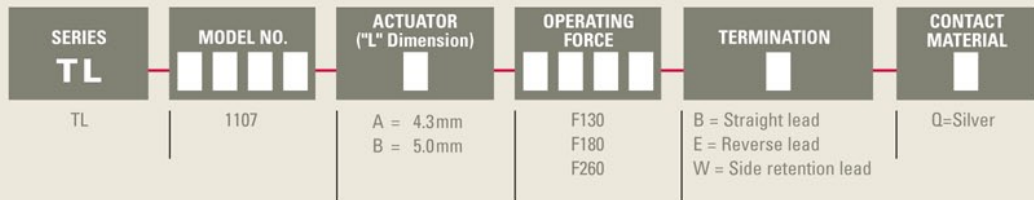
- ▶ Telecommunications
- ▶ Consumer Electronics
- ▶ Audio/visual
- ▶ Medical
- ▶ Testing/instrumentation
- ▶ Computer/servers/peripherals

MATERIALS

Housing:	4/6 Nylon
Actuator:	4/6 Nylon
Cover:	Stainless steel
Contacts:	Silver plated
Terminals:	Silver plated



HOW TO ORDER



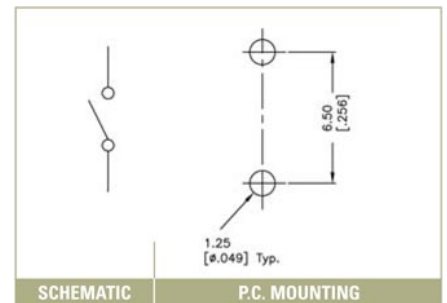
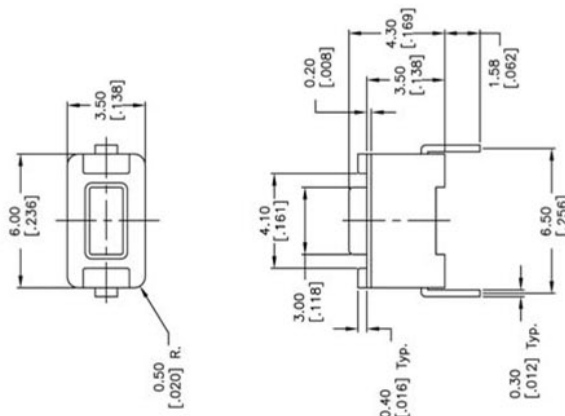
Example Ordering Number

TL-1107-A-F130-W-Q

Specifications subject to change without notice.

TL 1107

B TERMINATION (STRAIGHT LEAD)





SERIES TL 1107 SWITCHES

TACT SWITCHES - Rectangular

TACT SWITCHES

NAVIGATION SWITCHES

PUSHBUTTON SWITCHES

TOGGLE SWITCHES

ROCKER SWITCHES

SLIDE SWITCHES

SNAP-ACTION SWITCHES

DIP SWITCHES

KEYLOCK SWITCHES

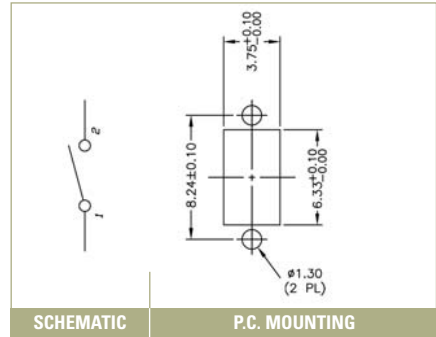
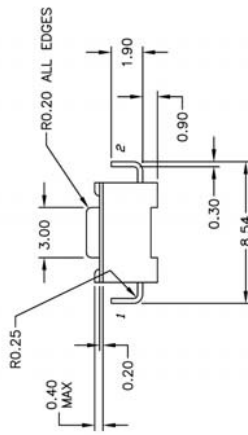
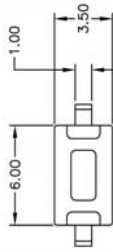
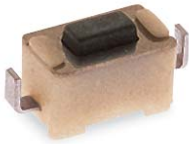
ROTARY SWITCHES

DETECTOR SWITCHES

CAP OPTIONS

TL 1107

E TERMINATION (REVERSE LEAD)

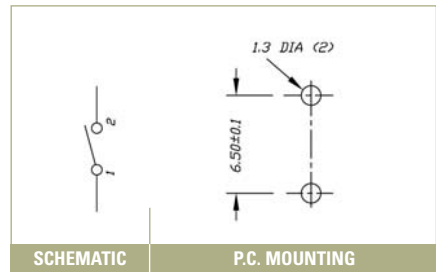
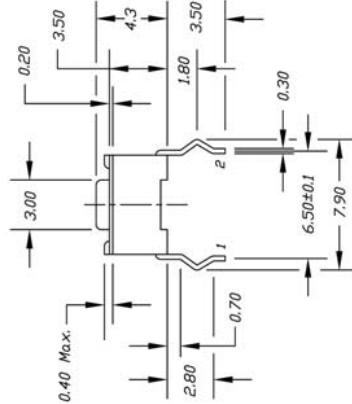
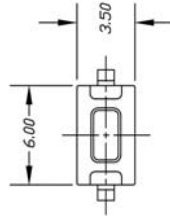


SCHEMATIC

P.C. MOUNTING

TL 1107

W TERMINATION (SIDE RETENTION LEAD)



SCHEMATIC

P.C. MOUNTING