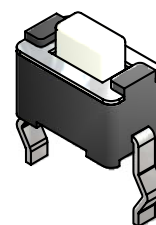
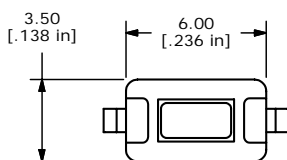
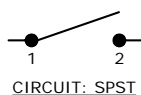
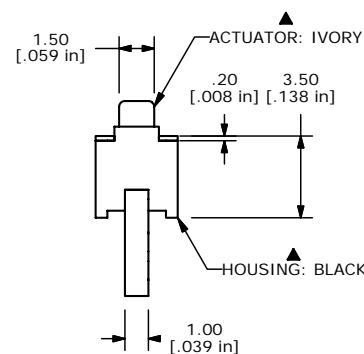
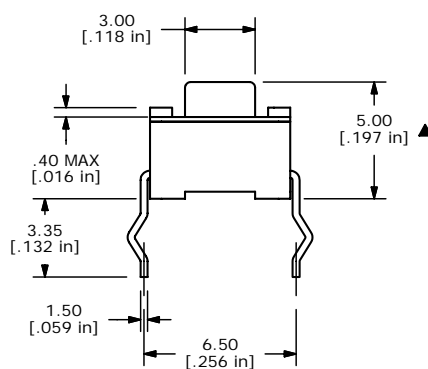


RECOMMENDED P.C.B. LAYOUT



ISOMETRIC



NOTES:

1. ALL DIMENSIONS IN MM [INCH]
2. GENERAL TOLERANCE: X.X=±0.4
X.XX=±0.25
3. TERM. NOS. FOR REFERENCE ONLY.
4. RATING: 12VDC, 50mA
- ▲5. OPERATING FORCE: 180 ± 50 gms
6. TRAVEL: 0.25 ± .1mm
7. CONTACT RESISTANCE: 100 mΩ MAX. (INITIAL)
8. MECHANICAL/ELECTRICAL LIFE: 40,000 CYCLES MIN.
- ▲9. SILVER CONTACTS
- ▲10. PACKAGE: BULK 1,000 PER BAG
11. ▲ DENOTES CRITICAL PARAMETER
12. 2002/95/EC (ROHS) COMPLIANT

F	16622	UPDATED NOTES	11/8/2006	TN
E	16612	UPDATED NOTES	11/7/2006	TN
D	14959	REVISED AND REDRAWN	5/27/05	JB
REV	PCR NO	DESCRIPTION	DATE	BY

THE INFORMATION CONTAINED IN THIS DOCUMENT IS PROPRIETARY TO E-SWITCH AND IS NOT TO BE COPIED OR TRANSFERRED

E-SWITCH®

TITLE TL1107BF180WQ

SCALE 4:1	DATE 11/8/2006	DR TN	DWG P010314	REV F
-----------	----------------	-------	-------------	-------