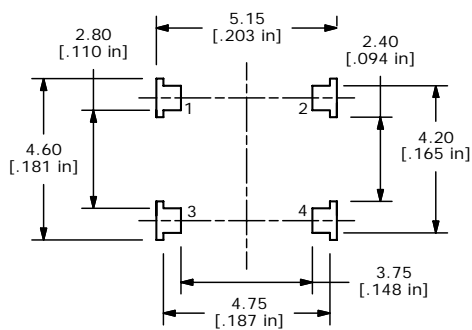
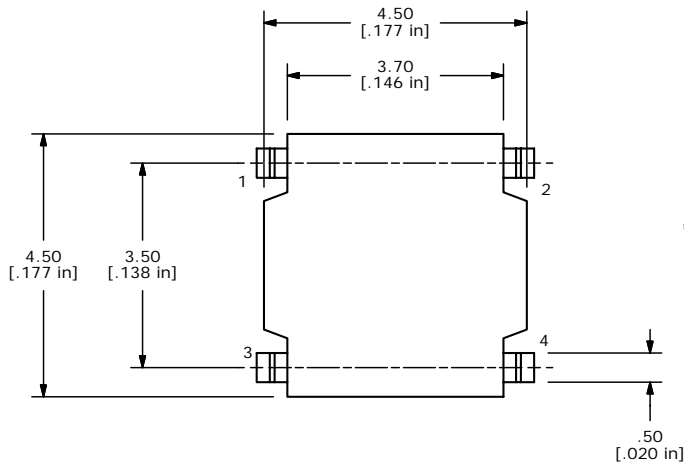


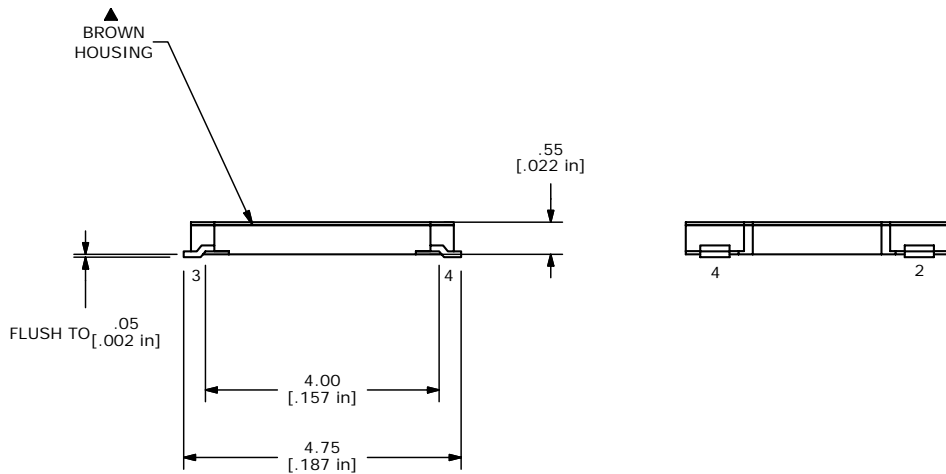
CIRCUIT: SPST



P.C. MOUNTING



ISOMETRIC



- NOTE:
1. ALL DIMENSIONS IN MM [INCH]
 2. GENERAL TOLERANCE: X.X=±0.4
X.XX=±0.25
 3. TERMINAL NUMBERS FOR REF ONLY
 4. RATING: 15VDC @ 50mA
 5. ELECTRICAL LIFE: 200,000 CYCLES
 6. CONTACT RESISTANCE: 200m OHMS MAX.
 7. OPERATION FORCE: 250 +/-50gf
 8. TRAVEL: 0.2 +/-0.1mm
 9. ▲ DENOTES CRITICAL PARAMETER.
 10. 2002/95/EC (ROHS) COMPLIANT
 11. PACKAGING: TAPE & REEL, 5000 PIECES PER REEL.

B	19521	RATING: was 20mA	12/13/10	BGL
A	xxxxx	New Product Release	1/29/08	rc
REV	PCR NO	DESCRIPTION	DATE	BY

THE INFORMATION CONTAINED IN THIS DOCUMENT IS PROPRIETARY TO E-SWITCH AND IS NOT TO BE COPIED OR TRANSFERRED

TITLE TL3315NF250Q				
SCALE	DATE	DR	DWG	REV
10:1	1/29/2008	RC	P010338	B