

# Right Angle Lighted SMT Tact Switch

## Features

- Gold plated dome contact SPST/SPDT
- Excellent ergonomics
- High bright leds
- Reduced space usage on board
- 40 N overload
- Tape and reel
- RoHS compliant and compatible

## Typical Applications

- When backlighting and switch are required to be a "2 in 1" component
- The dome contact secures a superior contact reliability in time
- The ergonomics of K5V provides a long travel, a sharp tactile feel and an audible click
- Server, storage, automotive, network infrastructure, medical



B

Tactile Switches

## Specification

FUNCTION: momentary action  
 CONTACT ARRANGEMENT: Normally Open + Normally Closed  
 TERMINALS: SMT with positioning pegs

## Mechanical

Type	Operating force FA' Newtons (grams)	Operating life (operations)	Travel (total travel) mm(mm)
K5V1CL43G	4.0 (400)	25,000	1.2 (2.4)

<sup>1</sup> Tolerances of operating force FA is ± 25%.

## Packaging

330 pieces per reel  
 Reel ø 360mm

## Electrical

POWER MIN/MAX: 0.02VA / 1.0VA  
 VOLTAGE MIN/MAX: 20mVdc – 32 Vdc  
 CURRENT MIN/MAX: 0.1mA – 100mA  
 CONTACT RESISTANCE: <150m Ω  
 INSULATION RESISTANCE: >1G Ω initial, >10M Ω after damp heat  
 BOUNCE TIME: <5ms

## Environmental

OPERATING TEMPERATURE: -40°C to 85°C  
 STORAGE TEMPERATURE: -50°C to 85°C  
 RELATIVE HUMIDITY: 90 to 96% according to NF EN 60068-2-30  
 PROTECTION: dust protection and flux tight  
 OVERLOAD: 40N min

## Process

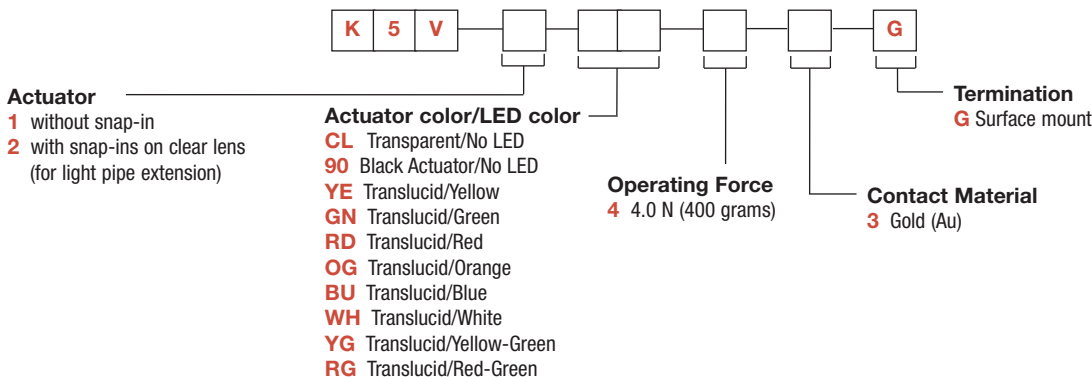
SOLDERING: Compatible with the lead free soldering profile.  
 No washing

## Materials

LEAD FREE  
 CONTACTS: Au over Ni  
 SOLDERING: Au over Ni  
 HOUSING: Thermoplastic UL94 HB

## How To Order

Our easy build-a-switch concept allows you to mix and match options to create the switch you need. To order, select desired option from each category and place it in the appropriate box.



Dimensions shown in: mm (inch)  
 Specifications and dimensions subject to change



# Right Angle Lighted THT Tact Switch

**Features**

- Gold plated dome contact SPST/SPDT
- Excellent ergonomics
- High bright LEDs
- Reduced space usage on board
- 40 N overload
- RoHS compliant and compatible

**Typical Applications**

- When backlighting and switch are required to be a "2 in 1" component
- The dome contact secures a superior contact reliability in time
- The ergonomics of K5V provides a long travel, a sharp tactile feel and an audible click
- Server, storage, automotive, network infrastructure, medical



B

Tactile Switches

**Specification**

FUNCTION: momentary action  
 CONTACT ARRANGEMENT: Normally Open + Normally Closed  
 TERMINALS: Through hole terminals with positioning pegs.  
 Terminals keying in option

**Electrical**

POWER MIN/MAX: 0.02VA / 1.0VA  
 VOLTAGE MIN/MAX: 20mVdc – 32 Vdc  
 CURRENT MIN/MAX: 0.1mA – 100mA  
 CONTACT RESISTANCE: <150m Ω  
 INSULATION RESISTANCE: >1G Ω initial, >10M Ω after damp heat  
 BOUNCE TIME: <5ms

**Mechanical**

Type	Operating force FA <sup>1</sup> Newtons (grams)	Operating life (operations)	Travel (total travel) mm(mm)
K5V1CL43T	4.0 (400)	25,000	1.2 (2.4)

<sup>1</sup>Tolerances of operating force FA is ± 25%.

**Environmental**

OPERATING TEMPERATURE: -40°C to 85°C  
 STORAGE TEMPERATURE: -50°C to 85°C  
 RELATIVE HUMIDITY: 90 to 96% according to NF EN 60068-2-30  
 PROTECTION: dust protection and flux tight  
 OVERLOAD: 40N min

**Packaging**

60 pieces per tray  
 300 pieces per box

**Process**

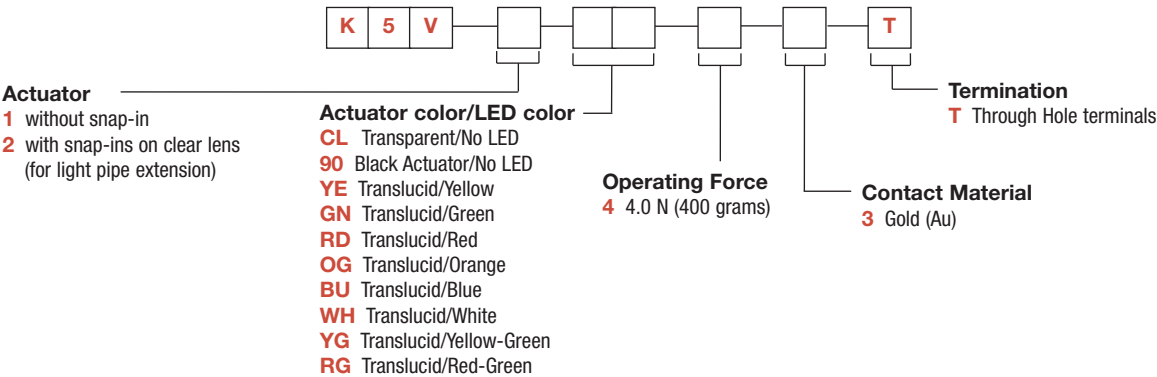
SOLDERING: Compatible with the lead free soldering profile.

**Materials**

LEAD FREE  
 CONTACTS: Au over Ni  
 SOLDERING: Au over Ni  
 HOUSING: Thermoplastic UL94 HB

**How To Order**

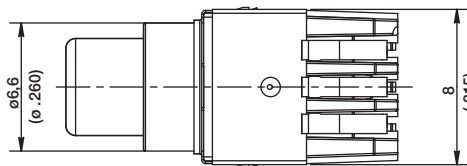
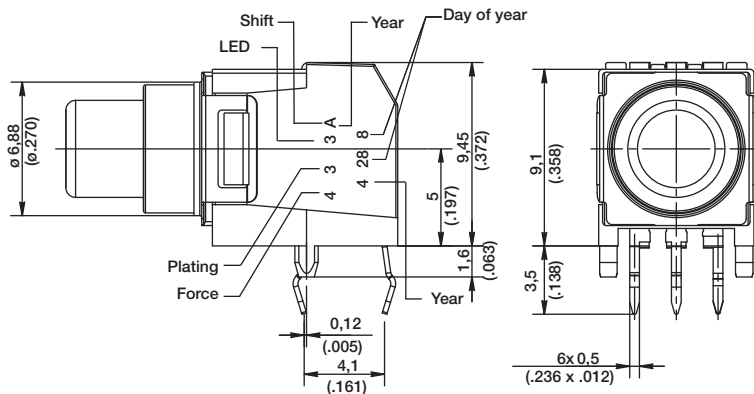
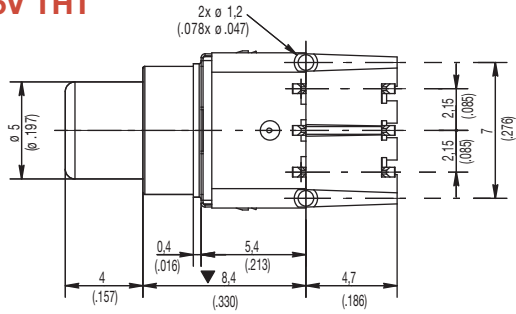
Our easy build-a-switch concept allows you to mix and match options to create the switch you need. To order, select desired option from each category and place it in the appropriate box.



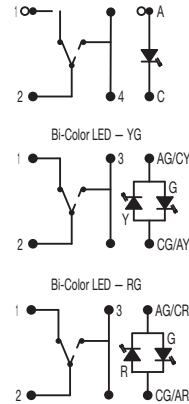
Dimensions shown in: mm (inch)  
 Specifications and dimensions subject to change

# K5V Right Angle Lighted THT Tact Switch

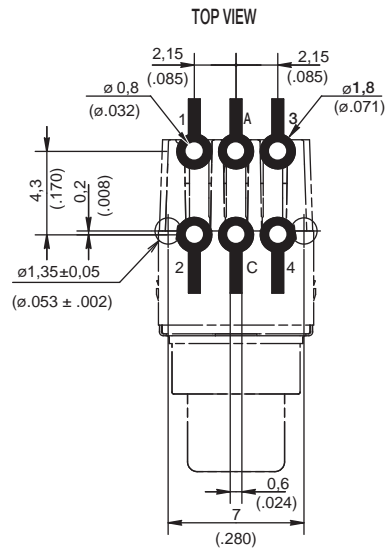
## K5V THT



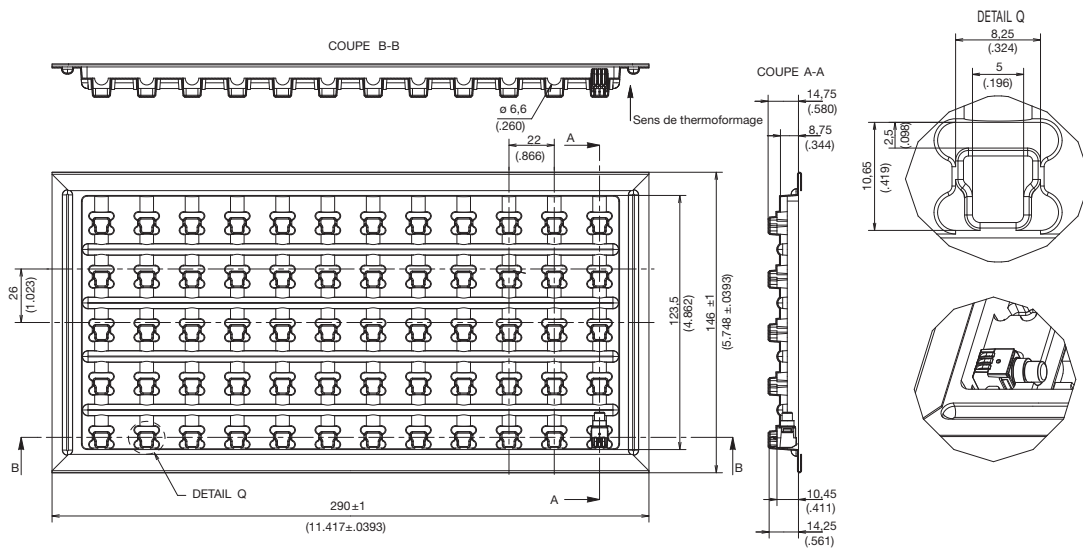
### ELECTRICAL DIAGRAM



### RECOMMENDED PCB LAYOUT (WITH HOLES)



## TRAY



Dimensions shown in: mm (inch)  
Specifications and dimensions subject to change

www.ck-components.com

# K5V Panel Mount Lighted Tact Switch

## Features

- Gold plated dome contact SPST/SPDT
- Excellent ergonomics
- High bright leds
- Reduced space usage on panel
- 40 N overload
- RoHS compliant

## Typical Applications

- When backlighting and switch are required to be a "2 in 1" component
- The dome contact secures a superior contact reliability in time
- The ergonomics of K5V provides a long travel, a sharp tactile feel and an audible click
- Server, storage, automotive, network infrastructure, medical



B

Tactile Switches

## Specification

FUNCTION: momentary action  
CONTACT ARRANGEMENT: Normally Open + Normally Closed  
BACKLIGHTING: high bright LED, independent terminals  
TERMINALS: Solder terminals with wire holes 1.3 x 0.6mm

## Mechanical

Type	Operating force FA <sup>1</sup> Newtons (grams)	Operating life (operations)	Travel (total travel) mm(mm)
K5V1CL43P	4.0 (400)	25,000	1.2 (2.4)

<sup>1</sup> Tolerances of operating force FA is ± 25%.

## Packaging

60 pieces per tray  
300 pieces per box

## Electrical

POWER MIN/MAX: 0.02VA / 1.0VA  
VOLTAGE MIN/MAX: 20mVdc – 32 Vdc  
CURRENT MIN/MAX: 0.1mA – 100mA  
CONTACT RESISTANCE: <150m Ω  
INSULATION RESISTANCE: >1GΩ initial, >10M Ω after damp heat  
BOUNCE TIME: <5ms

## Environmental

OPERATING TEMPERATURE: -40°C to 85°C  
STORAGE TEMPERATURE: -50°C to 85°C  
RELATIVE HUMIDITY: 90 to 96% according to NF EN 60068-2-30  
PROTECTION: dust protection and flux tight  
OVERLOAD: 40N min

## Process

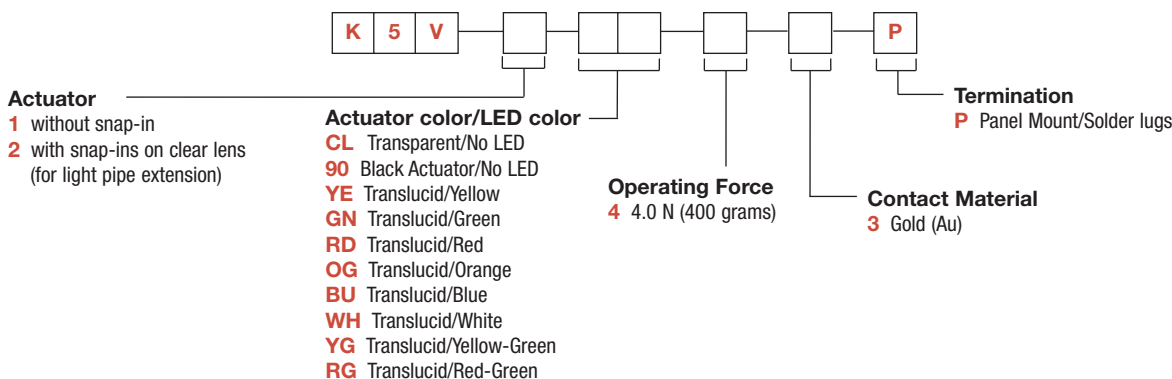
SOLDERING: Low wattage soldering iron (25-50 watts max).  
Solder time 3 seconds max. No washing.

## Materials

LEAD FREE  
CONTACTS: Au over Ni  
SOLDERING: Au over Ni  
HOUSING: Thermoplastic UL94 HB

## How To Order

Our easy build-a-switch concept allows you to mix and match options to create the switch you need. To order, select desired option from each category and place it in the appropriate box.



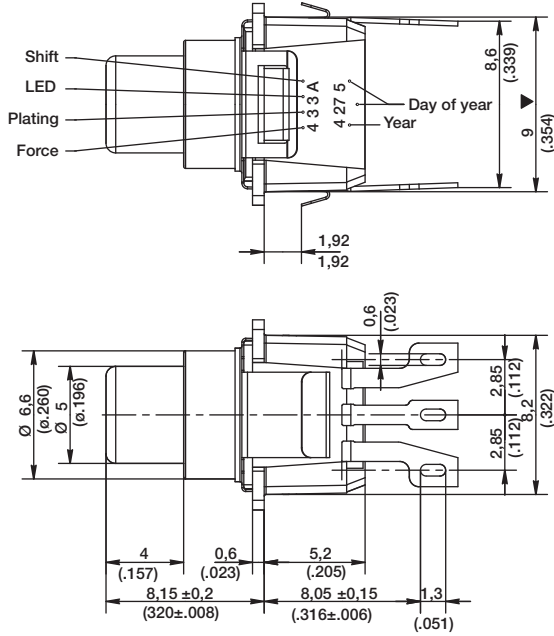
# K5V Panel Mount Lighted Tact Switch

K5V PM

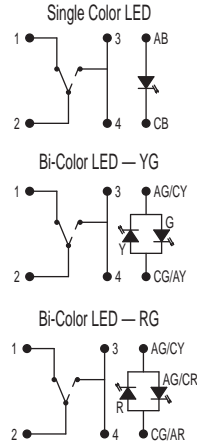
Tactile Switches

B

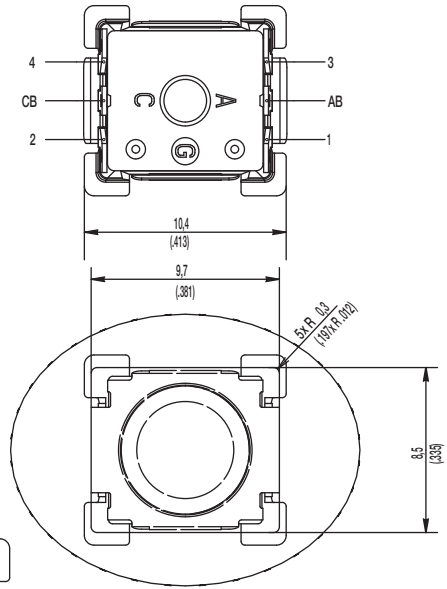
## PRODUCT IDENTIFICATION AND DATE CODES



## ELECTRICAL DIAGRAM

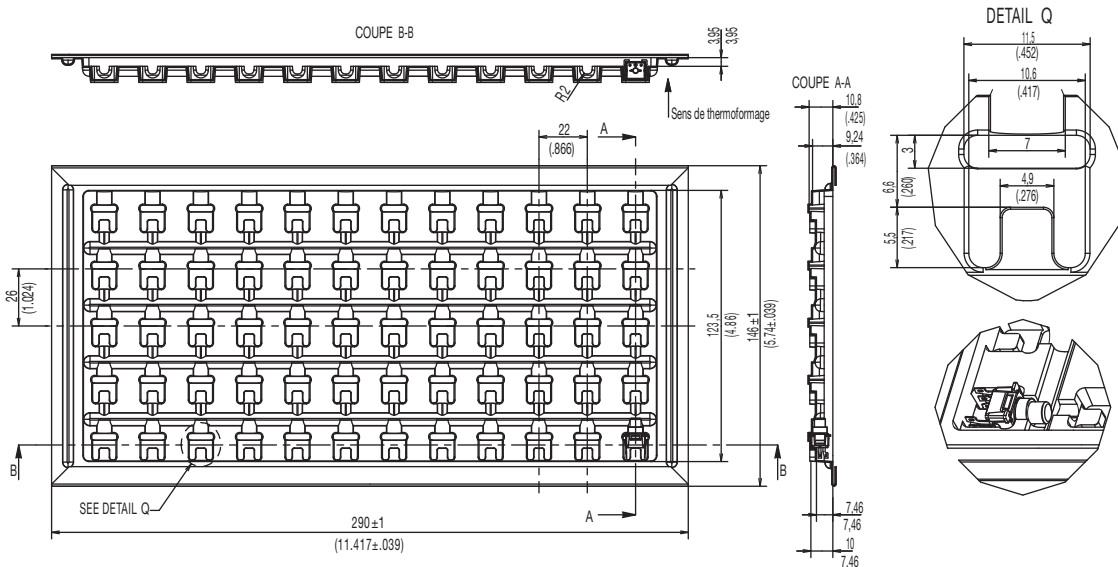


## TERMINAL REFERENCES



## TRAY

SUITABLE FOR PANEL THICKNESS OF 1.8MM MAX



Dimensions shown in: mm (inch)  
Specifications and dimensions subject to change

www.ck-components.com