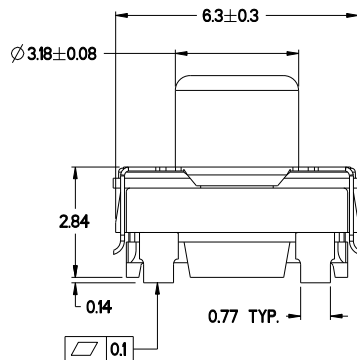
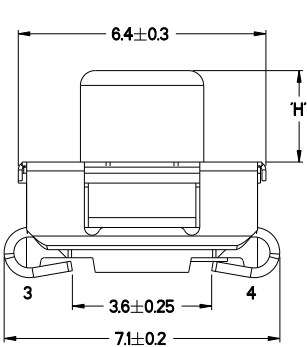
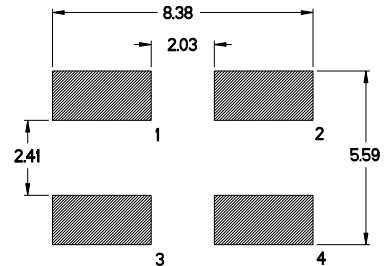


SUGGESTED PAD LAYOUT
SCALE: 8:1



Reference	Designation	Plating	Dimension H	Switching Force (N)
YT1015530FP LFS	KT1B0JM34LFS	SILVER	0	192 TO 288
YT1025530FP LFS	KT1B1JM34LFS	SILVER	0.64	
YT1035530FP LFS	KT1B2JM34LFS	SILVER	2.24	
YT1035531FP LFS	SS-2514-5LFS	SILVER	2.24	
YT1026730FP LFG	KT1B1JM35LFG	GOLD	0.64	

LF version	Contact area (1 face)	Terminal area (2 faces)
LFS	0.5 um min Ag plate over 1.3 um min Nickel plate	0.2-0.6 um Ag plate all over 1.3 um Ni plate all over
LFG	0.5 um min Au plate over 1.3 um min Nickel plate	0.1-0.2 um Au plate all over 1.3 um Ni plate all over

TOLERANCE:
LINEAR: ± 0.12
ANGULAR: ± 3°

DO NOT SCALE				PDM:		A3/B	
Drawn	CDY	04-Apr-06	Material:		ITT Industries Cannon Electronics (SZ) Co. Ltd.	Toupandun Industrial Area, Jinda Cheng, Xiner Village, Shejing Town, Baoan District, Shenzhen City PRC 518125	Pro/E Generic Model
Checked	KT	04-Apr-06					Title
Engineer	CDY	04-Apr-06	Treatment:	Unless Specified	Ref:		KT1BxJMLFx
Manufact.							
Assembly							
Quality							
Approvals	Sign	Date	Dimensions in: mm	Cust Spec No:	Scale 10:1	Sheet 1 of 1	Drwg No. CU_T1.M03.001.FP
Date			This is issued in strict confidence on condition that it is not used as a basis for manufacture or sale and that it is not copied, reprinted or disclosed to a third party either wholly or in part without the prior written consent of ITT Industries © 04-Apr-06				