

# KSA & KSL MKII Series High Performance Sealed Tact Switch

## Features/Benefits

- Highest tact switch sealing performance
- Improved sealing through a modification of the crimping technique and to a double overmolding of the terminal
- Totally sealed
- Up to 1M operations
- RoHS compliant and compatible

## Typical Applications

- Automotive
- Industrial
- Telecommunication networks
- Household appliances
- Heating control systems



## Specification

CONTACT ARRANGEMENT: SPST, N.O.  
 TERMINALS: PC pins  
 SEALING: IP67  
 Double overmold on terminals

## Mechanical

Type	Actuation force N (grams)	Operating life (operations)	Travel to make
KSA0M212	1,0 - 1,65	100,000	0,5 ± 0,15
KSA0M312	1,0 - 1,65	1,000,000	0,5 ± 0,15
KSA0M412	2,75 - 3,75	100,000	0,6 ± 0,25
KSA0M512	3,75 - 6,25	100,000	0,7 ± 0,25

## Packaging

Can be delivered in tubes of 65 pieces for automatic insertion or in boxes of 500 pieces for manual insertion (250 pieces for KSL)

**NOTE:** Specifications listed above are for switches with standard options.  
 For information on specific and custom switches, consult Customer Service Center.

Other versions in terms of force, termination length and corrosion protection available.  
 Please contact your sales representative.

This data sheet does not provide enough information for applications which require a certain level of quality or safety such as automotive, medical systems, safety equipment.  
 Please contact your sales representative to get contractual specification package.

## Electrical

	Silver	Gold
MAXIMUM POWER:	1 VA	0.2 VA
MAXIMUM VOLTAGE:	32 VDC	32 VDC
MINIMUM VOLTAGE:	20 mV	20 mV
MAXIMUM CURRENT:	50 mA	10 mA
MINIMUM CURRENT:	1 mA	1 mA
DIELECTRIC STRENGTH: 300 Vrms		
CONTACT RESISTANCE: < 100m Ω		
INSULATION RESISTANCE (100 V): > 10 <sup>9</sup> Ω		
BOUNCE TIME: 1 ms		

## Environmental

	Silver	Gold
OPERATING TEMPERATURE:	-40°C to 85°C	-40°C to 125°C
STORAGE TEMPERATURE:	-40°C to 85°C	-55°C to 125°C

## Process

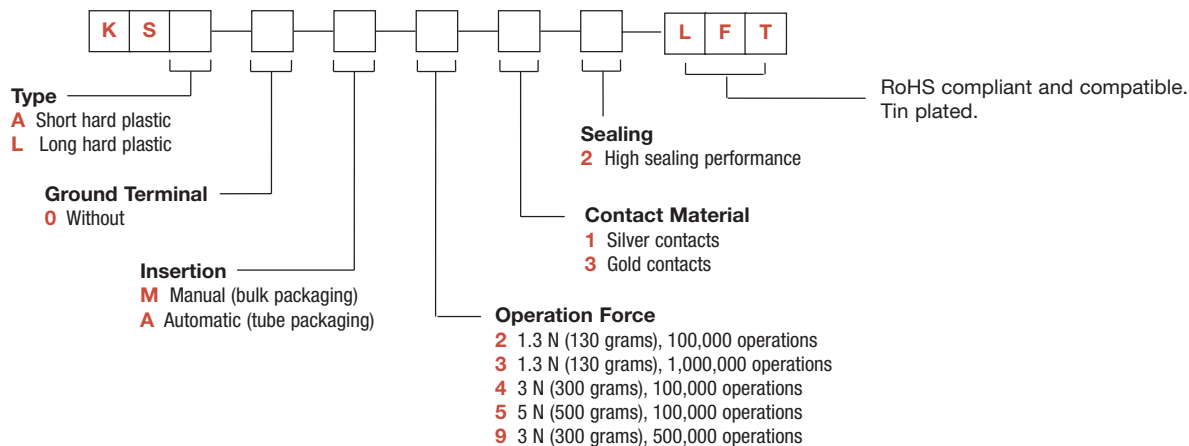
Wave soldering compatible with lead free soldering profile.

## How To Order

Our easy build-a-switch concept allows you to mix and match options to create the switch you need. To order, select desired option from each category and place it in the appropriate box.

**However, please note that all the combinations of these options are not feasible.**

**For any part number different from those listed above, please consult your local representative.**

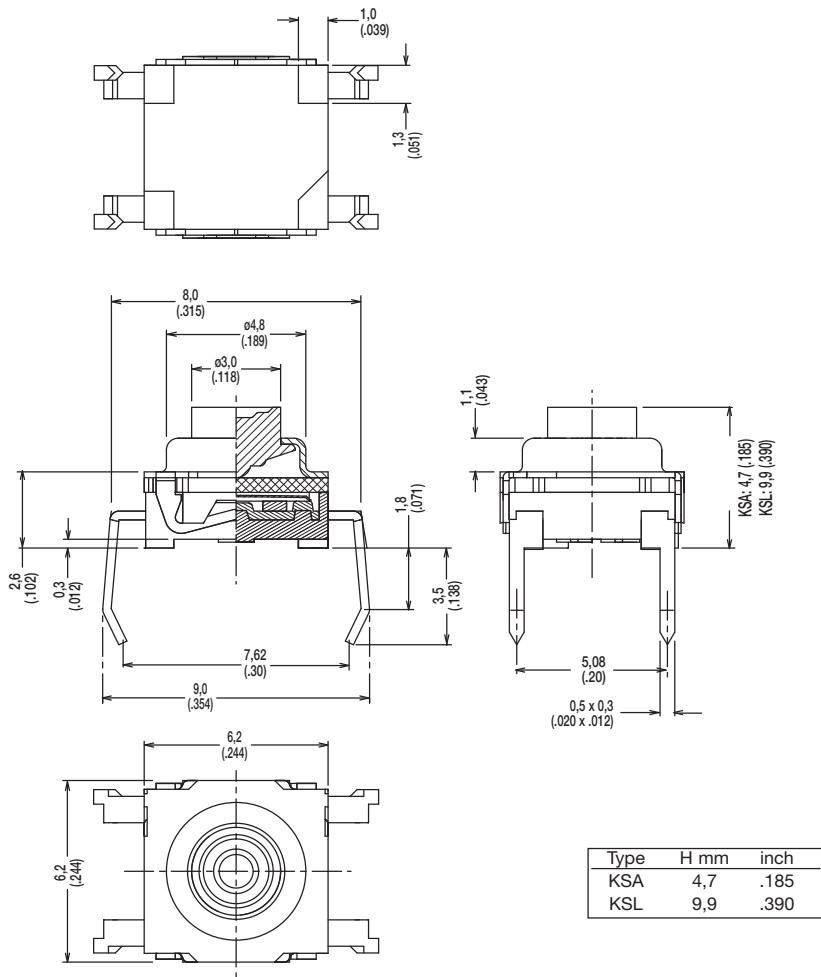


Dimensions are shown: Inch (mm)  
 Specifications and dimensions subject to change

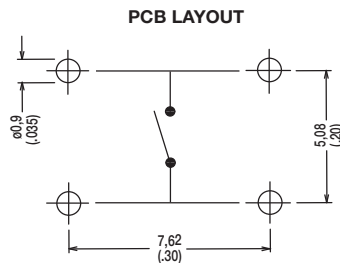
# KSA & KSL MKII Series High Performance Sealed Tact Switch

TYPE

**KSA & KSL** MANUAL (BULK PACKAGING) DRAWING SHOWN



KSA0M112



**B**

Tactile Switches



Dimensions are shown: Inch (mm)  
Specifications and dimensions subject to change