

KSR Series Subminiature Tact Switch for SMT

Features/Benefits

- Saves PCB space
- Range of 4 actuation forces
- G terminations
- N.O.
- Detect type available
- Rubber actuator
- IP 50 sealed
- RoHS compliant and compatible

Typical Applications

- Automotive
- Cellular phones & accessories
- Industrial electronics
- Computers & network equipment



Tactile Switches

Specification

FUNCTION: momentary action
CONTACT ARRANGEMENT: Normally Open
TERMINALS: Gullwing type for SMT

Mechanical

Type	Operating force Newtons (grams)	Operating life (operations)	Travel
KSR211/213	1.8 (180) ± 20%	100,000	0,25 ± 0,15
KSR221/223	2.3 (200) ± 25%	200,000	0,3 ± 0,15
KSR231/233	3.0 (300) ± 25%	200,000	0,35 ± 0,15
KSR251/253	4.5 (450) ± 25%	100,000	0,5 ± 0,15
KSR223GNC	2 (200) ± 25%	100,000	0,3 ± 0,15

A detect switch version is available KSR2D3.
Please see Detect chapter, page F-6.

Packaging

Switches are delivered on continuous tape, in reels of 2,500 pieces.

Electrical

	Silver	Gold
MAXIMUM POWER:	1 VA	0.2 VA
MAXIMUM VOLTAGE:	32 VDC	32 VDC
MINIMUM VOLTAGE:	20 mV	20 mV
MAXIMUM CURRENT DC:	50 mA	10 mA
MINIMUM CURRENT DC:	1 mA	1 mA

CONTACT RESISTANCE: ≤ 100 mΩ
INSULATION RESISTANCE: (100 V): 10⁹ Ω
BOUNCE TIME: 1 ms max.

Environmental

	Silver	Gold
OPERATING TEMPERATURE:	-40°C to 85°C	-40°C to 125°C
STORAGE TEMPERATURE:	-55°C to 85°C	-55°C to 125°C

Process

SOLDERING: Compatible with lead free reflow soldering process.

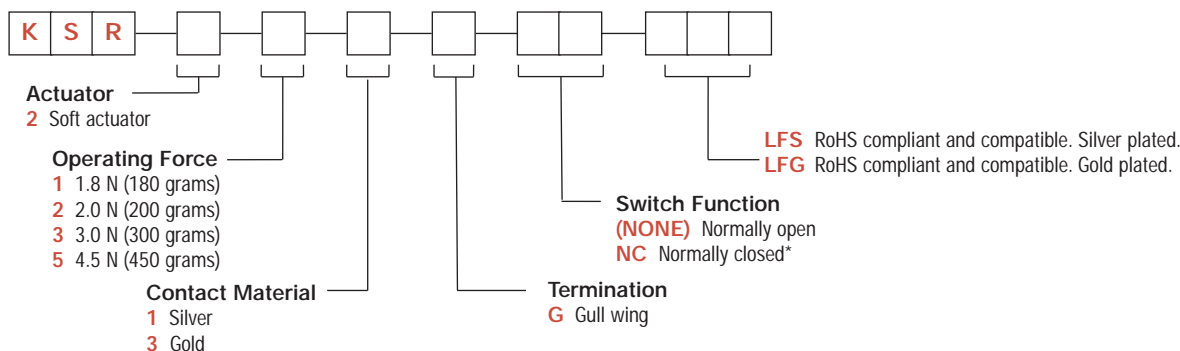
NOTE: Specifications listed above are for switches with standard options.
For information on specific and custom switches, consult Customer Service Center.

How To Order

Our easy build-a-switch concept allows you to mix and match options to create the switch you need. To order, select desired option from each category and place it in the appropriate box.

However, please note that all the combinations of these options are not feasible.

For any part number different from those listed above, please consult your local representative.



*Available on KSR223G only.

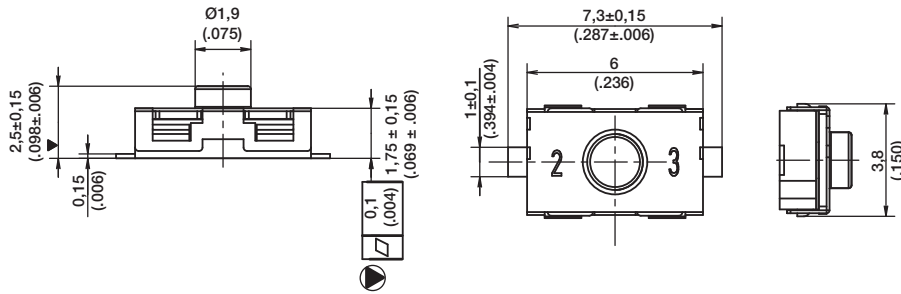


Dimensions shown in: mm (inch)
Specifications and dimensions subject to change

www.ck-components.com

KSR Series Subminiature Tact Switch for SMT

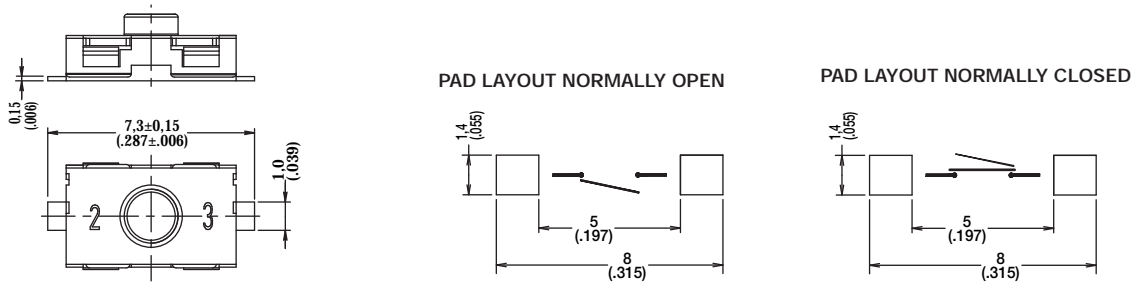
KSR



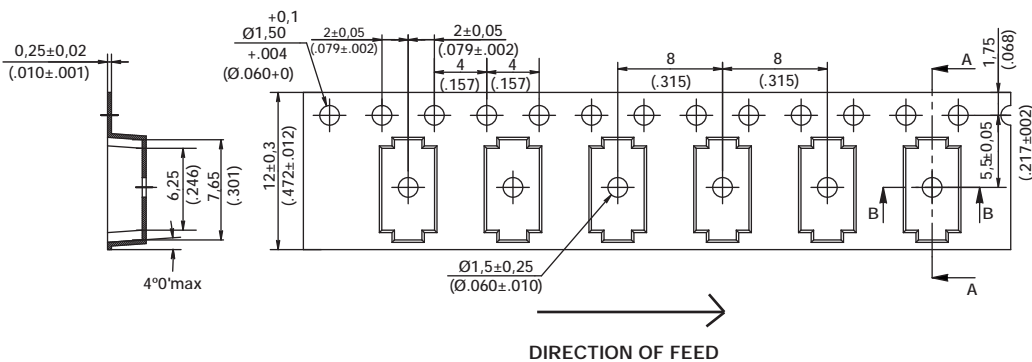
Tactile Switches

B

G GULLWING



TAPE & REEL



Dimensions shown in: mm (inch)
Specifications and dimensions subject to change

www.ck-components.com