

# PTS125 Series 12 mm Tact Switches



## Features/Benefits

- Stable control feeling
- Thru-hole or vertical actuation
- 160 or 260 grams actuation force
- RoHS compliant and compatible

## Typical Applications

- Consumer products
- Instrumentation
- Computer products
- Industrial

## Specification

FUNCTION: Momentary action  
CONTACT ARRANGEMENT: SPST, N.O.  
TERMINALS: PC pins

## Mechanical

ACTUATION FORCE: PTS125M models: 160 grams.  
PTS125 K models: 260 grams.  
LIFE EXPECTANCY: 200,000 operations, M option;  
100,000 operations, K option.

## Electrical

CONTACT RATING: 50 mA @ 12 V DC.0  
DIELECTRIC STRENGTH: 250 V AC min.  
CONTACT RESISTANCE: 100 mΩ max. initial.  
INSULATION RESISTANCE: 10<sup>11</sup> Ω min.

**NOTE:** Specifications listed above are for switches with standard options.  
For information on specific and custom switches, consult Customer Service Center.

## Environmental

OPERATING TEMPERATURE: -40°C to 60°C

## Process

SOLDERING: Preheating to 100°C for 45 sec. max. Keep flux flush with top surface of PCB; do not apply to component side of PCB and area where terminals are located. Soldering to 255°C for 5 sec. max. Clean by brushing on solder surface. Do not clean switch with solvents.

## Materials

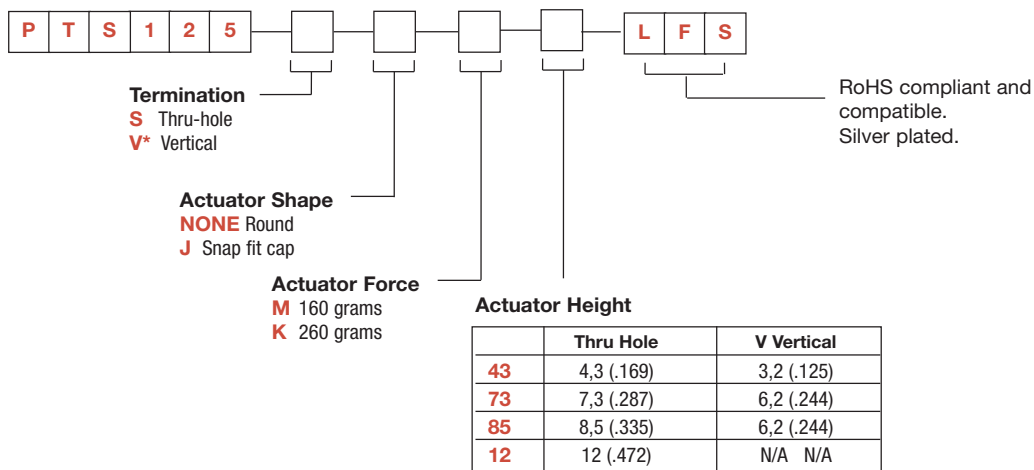
BASE: 6/6 nylon or glass filled polyester (PBT) (UL 94V-0).  
ACTUATOR: PBT (UL94V0) or polyacetal (UL 94HB).  
COVER PLATE: Tin alloy.  
DOME CONTACTS: Phosphor bronze, silver clad.  
STATIONARY CONTACTS: Brass, silver plated.  
TERMINALS: Brass, silver plated. Insert molded.

## Packaging

Tube packaging.

## How To Order

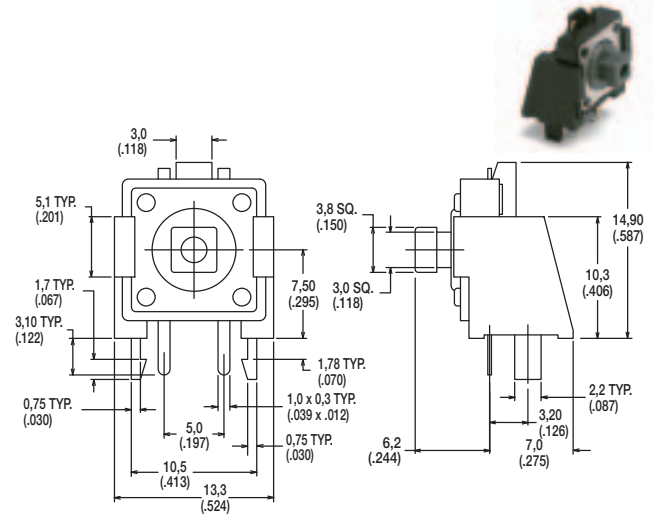
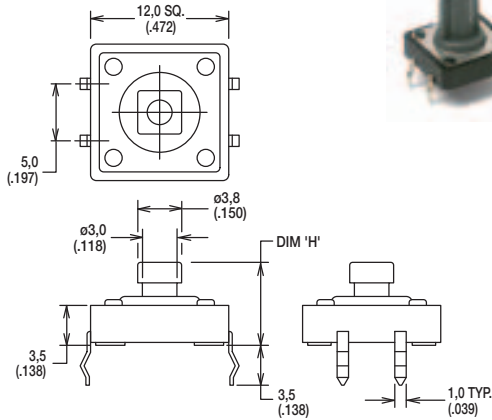
Our easy build-a-switch concept allows you to mix and match options to create the switch you need. To order, select desired option from each category and place it in the appropriate box.



\* V option available with J73 actuator only.

# PTS125 Series 12 mm Tact Switches

SERIES

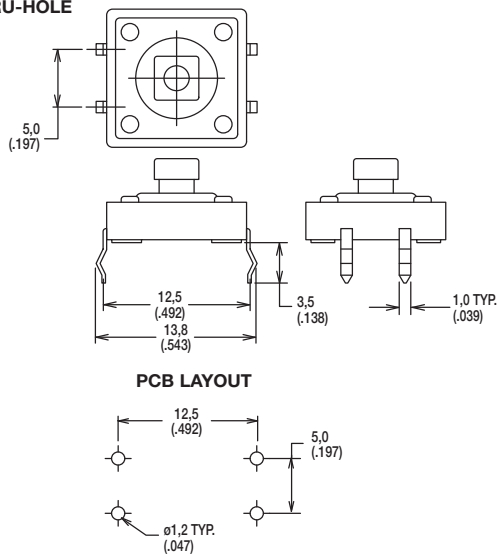


B

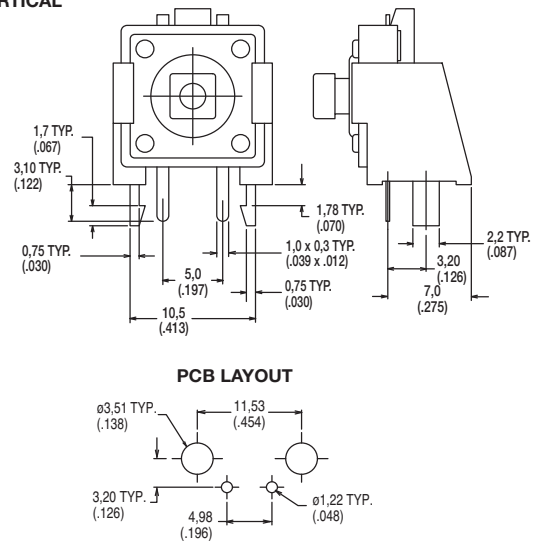
Tactile Switches

TERMINATION

**S** THRU-HOLE



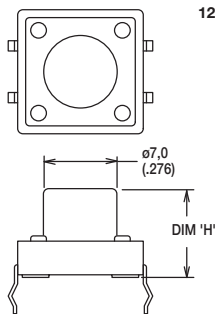
**V** VERTICAL



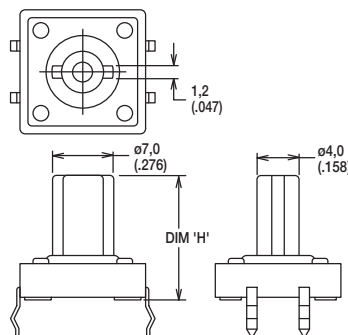
ACTUATOR SHAPE

**NONE** ROUND

43 and 85 heights only

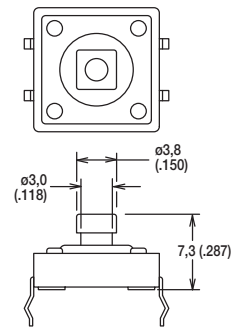


12 height only



**J** SNAP-FIT CAP

73 height only



First Angle Projection



Dimensions are shown: Inch (mm)  
Specifications and dimensions subject to change

# PTS125 Series 12 mm Tact Switches

## ACTUATION FORCE

OPTION CODE	FORCE
<b>M</b>	160 grams
<b>K</b>	260 grams

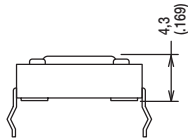


**B**

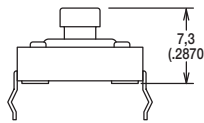
Tactile Switches

## ACTUATOR HEIGHT

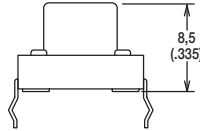
**43** 4,3 mm



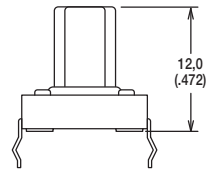
**73** 7,3 mm SNAP-FIT



**85** 8,5 mm



**12** 12 mm



Dimensions are shown: Inch (mm)  
Specifications and dimensions subject to change