

4

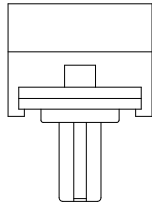
3

2

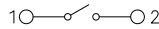
1

THIS DRAWING IS UNPUBLISHED. RELEASED FOR PUBLICATION
 © COPYRIGHT - By - ALL RIGHTS RESERVED.

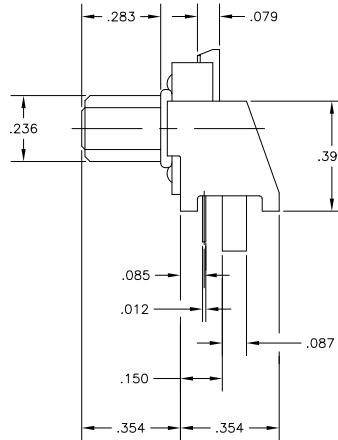
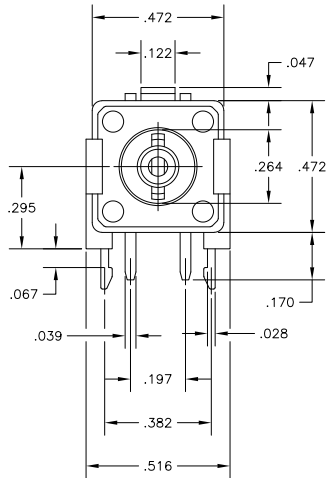
CONVERSION CHART			
INCH	MM	INCH	MM
.002	0,05	.394	10,00
.006	0,15	.472	12,00
.010	0,25		
.012	0,3		
.028	0,70		
.039	1,00		
.047	1,20		
.051	1,30		
.059	1,50		
.067	1,70		
.079	2,00		
.085	2,15		
.087	2,20		
.091	2,30		
.122	3,10		
.150	3,80		
.170	4,30		
.197	5,00		
.236	6,00		
.264	6,70		
.283	7,20		
.295	7,50		
.354	9,00		
.382	9,70		



CIRCUIT DIAGRAM



NOTE: TERMINAL NUMBERS ARE FOR REFERENCE ONLY, AND DO NOT APPEAR ON SWITCHES.



LOC	DIST	REVISIONS			
P	LTR	DESCRIPTION	DATE	OWN	APPD
AD	00				
B1		REVISED PER ECO-11-005027	11MAR11	RK	HMR

SPECIFICATIONS:

MATERIALS:
 CASE: POLYESTER, BLACK.
 COVER: POLYESTER.
 ACTUATION BUTTON: ACETAL, BLACK.
 MOVABLE CONTACT: COPPER ALLOY, SILVER CLAD.
 FIXED CONTACT/TERMINAL: COPPER ALLOY, SILVER PLATE.
 FRAME: POLYAMIDE.

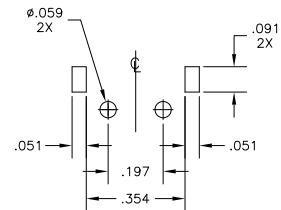
ELECTRICAL:
 MAX CONTACT RATING: 50MILLIAMPS@24V DC
 MIN CONTACT RATING: 10MICROAMPS@1V DC
 CONTACT RESISTANCE: 100 MILLIOHMS MAX.
 INSULATION RESISTANCE: 100 MEGOHMS @100 VDC.
 DIELECTRIC STRENGTH: 500 VAC
 LIFE EXPECTANCY: 100,000 CYCLES MIN.

MECHANICAL:
 ACTUATION FORCE: 160 ±50gf
 ACTUATION TRAVEL: .012 INCHES.

ENVIRONMENTAL:
 OPERATING TEMPERATURE: -35°C TO +85°C
 STORAGE TEMPERATURE: -35°C TO +85°C

NOTES:

- ALL MATERIALS AND FINISHES SHALL COMPLY WITH EU DIRECTIVE 2002/95/EC OF 27JAN2003 (ROHS)



RECOMMENDED
 PCB LAYOUT
 TOLERANCE ±.002
 UNLESS OTHERWISE NOTED

THIS DRAWING IS A CONTROLLED DOCUMENT.		DWG 14MAY2004	TE Connectivity	
DIMENSIONS: INCHES		ISSY CHK	PUSHBUTTON SWITCH FSM104	
TOLERANCES UNLESS OTHERWISE SPECIFIED:		APVD M.S. SARVER	RESTRICTED TO	
0 PLC	± .005	PRODUCT SPEC	SIZE	CAGE CODE
1 PLC	± .002	APPLICATION SPEC	A2	00779
2 PLC	± .001	WEIGHT	C=	1437565-6
3 PLC	± .010	MATERIAL	CUSTOMER DRAWING	
4 PLC	± .005	FINISH	SCALE	4:1
ANGLES	± .005		SHEET	1 of 1
			REV	B1

1471-9 (3/11)

1437565-6

A