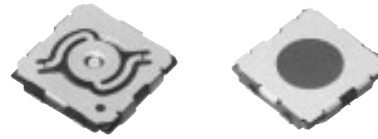


6 mm Square Thin Type Double-action SMD Light Touch Switches

Type: **EVQPR/EVQQ0/EVQ3PR**



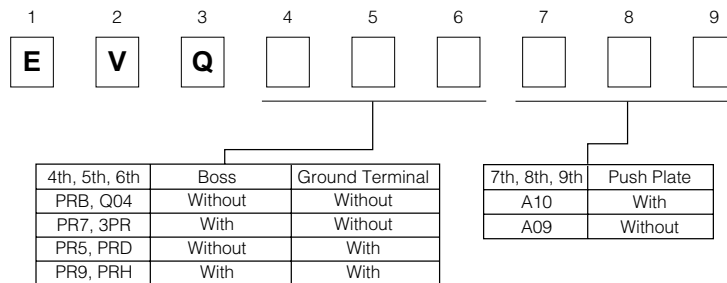
■ Features

- External dimensions : 6.0 mm×6.0 mm,
Height : 0.9 mm (Without push plate)
0.95 mm (With push plate)
- Wide selection of double action operating variations
With push plate : 1st 0.7 N, 2nd 2.6 N
Without push plate : 1st 1.0 N, 2nd 2.6 N
- Wide selection of double action operating variations

■ Recommended Applications

- Camera function
(Digital still cameras, Camcorders, Mobile phones, etc.)
- Operating switches for menu scrolling and confirmation for portable equipment.

■ Explanation of Part Numbers



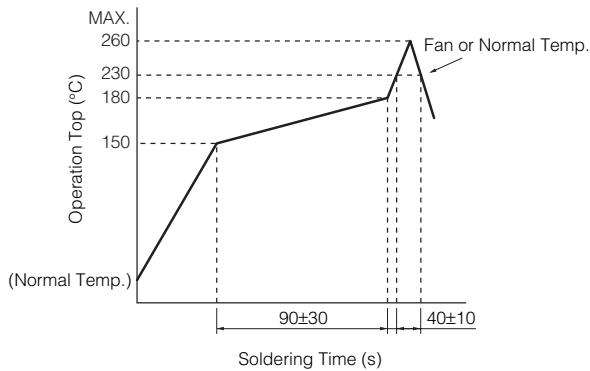
■ Specifications

Type		Snap action/Push-on type SPDT	
Push Plate type		With Push Plate	Without Push Plate
Electrical	Rating	10 μ A 2 Vdc to 20 mA 15 Vdc (Resistive load)	
	Contact Resistance	100 m Ω max.	
	Insulation Resistance	50 M Ω min.	
	Dielectric Withstanding Voltage	100 Vac for 1 minute	
	Bouncing	3 ms max. (ON) 20 ms max. (OFF)	
Mechanical	Operating Force	1st : 0.7 N 2nd : 2.6 N	1st : 1.0 N 2nd : 2.6 N
	Travel	1st: 0.4 mm	2nd: 0.6 mm
Endurance	Operating Life	30000 cycles min.	
Operating Temperature		-20 °C to +70 °C	
Storage Temperature		-40 °C to +85 °C (Bulk) -20 °C to +60 °C (Taping)	
Minimum Quantity/Packing Unit		5000 pcs. Embossed Taping (Reel Pack)	
Quantity/Carton		25000 pcs.	

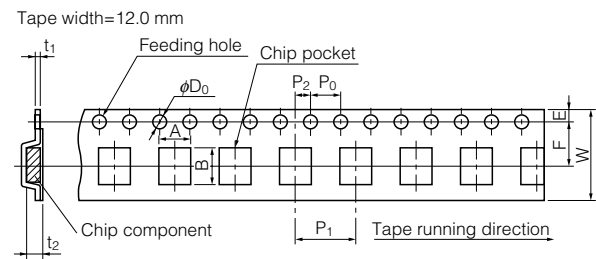
Design and specifications are each subject to change without notice. Ask factory for the current technical specifications before purchase and/or use.
Should a safety concern arise regarding this product, please be sure to contact us immediately.

00 Sep. 2010

Recommended Reflow Soldering Conditions



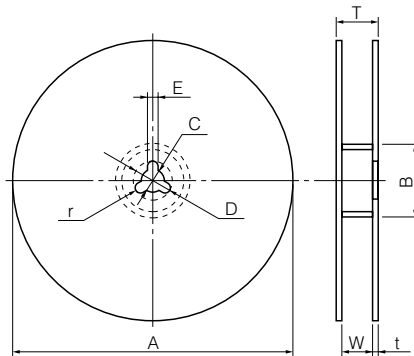
Embossed Carrier Taping



Unit: mm

Part No.	Height	A	B	W	F	E	P_1	P_2	P_0	D_0 Dia.	t_1	t_2
EVQPR/Q0/3PR	0.9, 0.95	6.3 ± 0.3	6.3 ± 0.3	12.0 ± 0.3	5.50 ± 0.15	1.75 ± 0.15	8.00 ± 0.15	2.00 ± 0.15	4.00 ± 0.15	$1.5_{-0}^{+0.1}$	0.30 ± 0.05	$1.7_{-0.1}^{+0.2}$

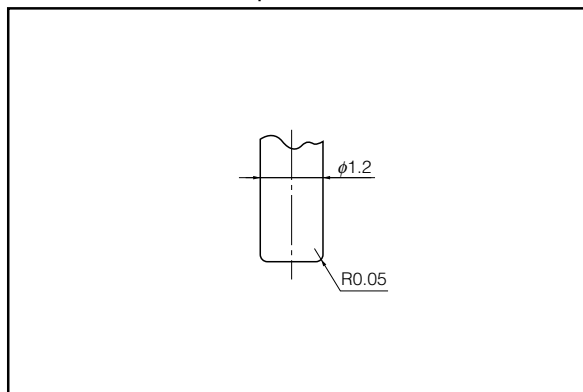
Standard Reel Dimensions in mm (not to scale)



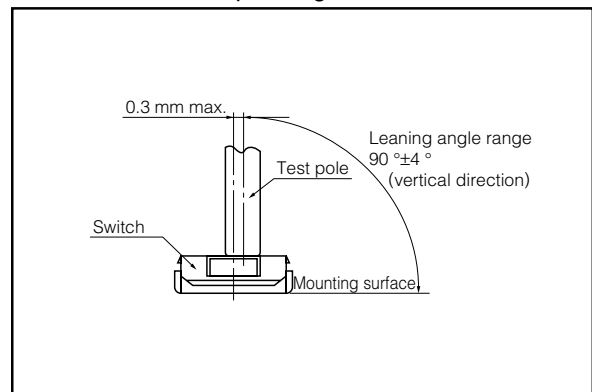
Item	A	B	C	D	E
Rate (mm)	$\phi 380.0 \pm 2.0$	$\phi 80.0 \pm 1.0$	$\phi 13.0 \pm 0.2$	$\phi 21.0 \pm 0.8$	2.0 ± 0.5

Item	W	T	t	r
Rate (mm)	13.5 ± 1.0	17.5 ± 1.0	1.0 to 3.0	1.0 ± 0.5

Recommended Shape of Test Pole



Recommended Operating Conditions



Design and specifications are each subject to change without notice. Ask factory for the current technical specifications before purchase and/or use. Should a safety concern arise regarding this product, please be sure to contact us immediately.

00 Sep. 2010