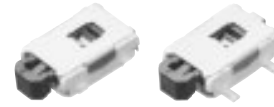


6.1 mm×4.0 mm Side-operational SMD Light Touch Switches

Type: **EVQPS**



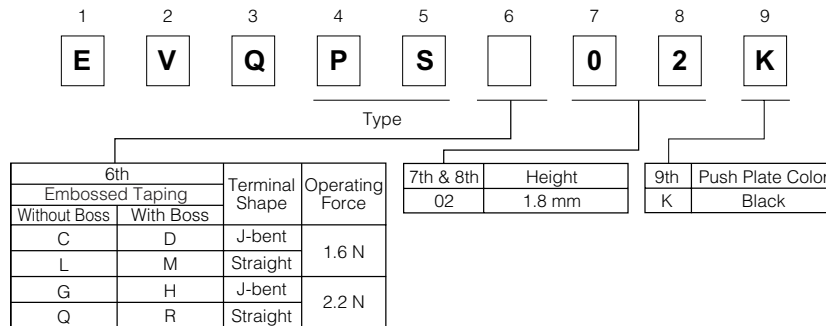
■ Features

- External dimensions : 6.1 mm×4.0 mm, Height 1.8 mm
- Terminal shapes : straight, J-bent

■ Recommended Applications

- Car navigation, Car audio

■ Explanation of Part Numbers



■ Specifications

Type		Snap action / Push-on type SPST	
Electrical	Rating	10 μ A 2 Vdc to 50 mA 12 Vdc (Resistiv load)	
	Contact Resistance	500 m Ω max.	
	Insulation Resistance	100 M Ω min. (at 100 Vdc)	
	Dielectric Withstanding Voltage	250 Vac for 1 minute	
	Bouncing	10 ms max. (ON, OFF)	
Mechanical	Operating Force	1.6 N ^{+0.7} _{-0.4} N	2.2 N ^{+0.8} _{-0.7} N
	Travel	0.3 mm ^{+0.1} _{-0.2} mm	
	Push Strength	30 N for 1 minute	
Endurance	Operating Life	100000 cycles min.	
Operating Temperature		-20 °C to +70 °C	
Storage Temperature		-40 °C to +85 °C (Bulk) -20 °C to +60 °C (Taping)	
Minimum Quantity/Packing Unit		4000 pcs. Embossed Taping (Reel Pack)	
Quantity/Carton		16000 pcs.	


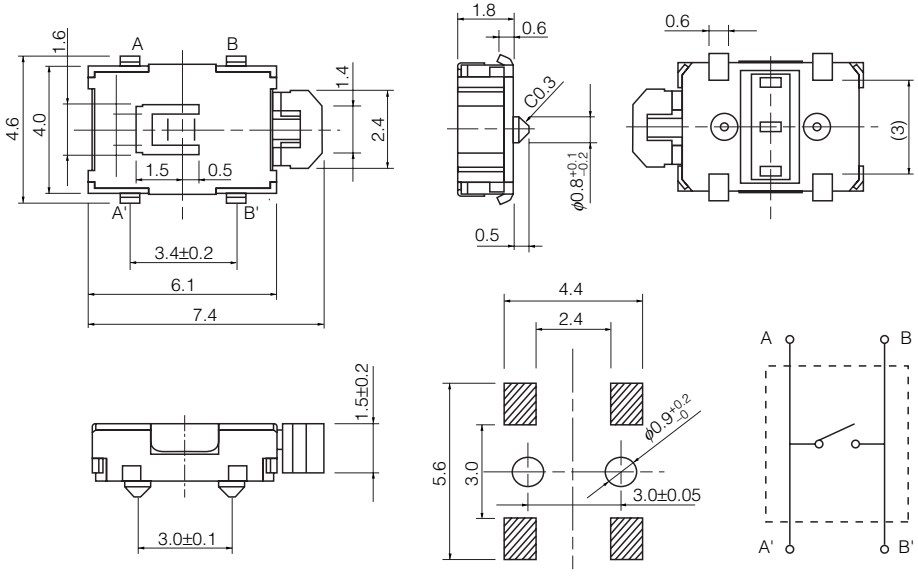
Design and specifications are each subject to change without notice. Ask factory for the current technical specifications before purchase and/or use. Should a safety concern arise regarding this product, please be sure to contact us immediately.

■ Dimensions in mm (not to scale)

No. 1

**EVQPSD
EVQPSH**

J-bent terminals,
with Boss

4.6, 4.0, 1.6, 1.5, 0.5, 3.4±0.2, 6.1, 7.4, 1.4, 2.4, 1.8, 0.6, 0.6, 1.4, 1.4, ϕ0.8+0.1-0.2, 0.5, 4.4, 2.4, 5.6, 3.0, ϕ0.9+0.2-0.2, 3.0±0.05, A, B, A', B', (3), A, B, A', B'

PWB land pattern for reference
(Tolerance:±0.1)


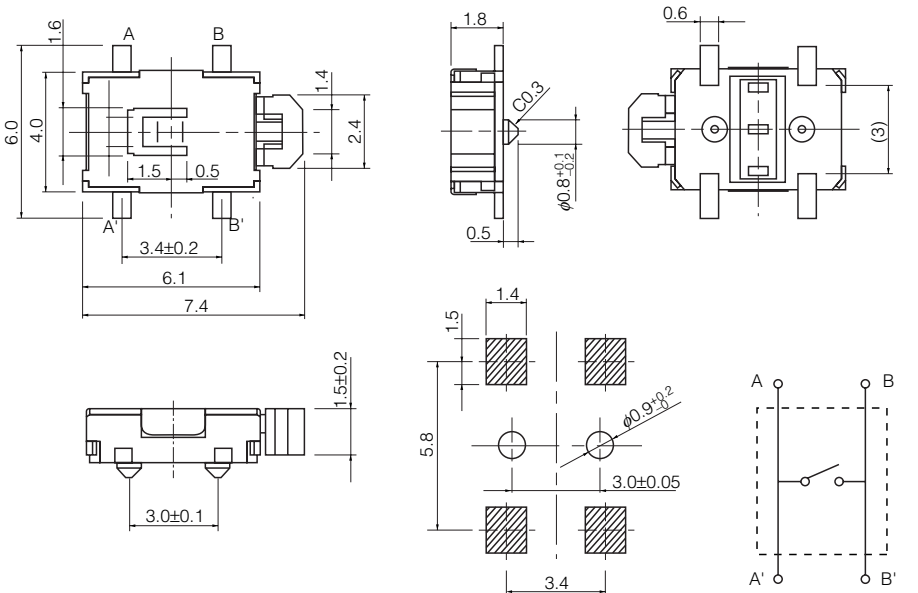
Circuit Diagram

Part Numbers	Operating Force	Height	Push Plate Color	Operating Life
EVQPSD02K	1.6 N	1.8 mm	Black	100000 cycles
EVQPSH02K	2.2 N	1.8 mm	Black	100000 cycles

No. 2

**EVQPSM
EVQPSR**

Straight terminals,
with Boss

6.0, 4.0, 1.6, 1.5, 0.5, 3.4±0.2, 6.1, 7.4, 1.4, 2.4, 1.8, 0.6, 0.6, 1.4, 1.4, ϕ0.8+0.1-0.2, 0.5, 1.5, 1.4, 5.8, 3.0, ϕ0.9+0.2-0.2, 3.0±0.05, A, B, A', B', (3), A, B, A', B'

PWB land pattern for reference
(Tolerance:±0.1)

Circuit Diagram

Part Numbers	Operating Force	Height	Push Plate Color	Operating Life
EVQPSM02K	1.6 N	1.8 mm	Black	100000 cycles
EVQPSR02K	2.2 N	1.8 mm	Black	100000 cycles


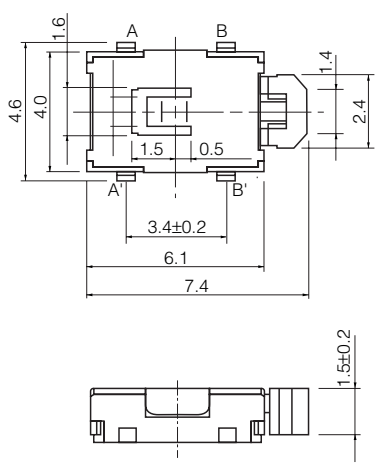

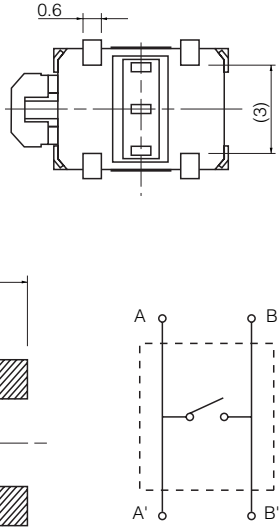
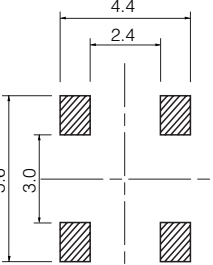
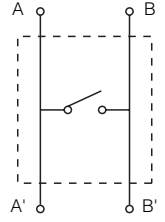
Design and specifications are each subject to change without notice. Ask factory for the current technical specifications before purchase and/or use. Should a safety concern arise regarding this product, please be sure to contact us immediately.

■ Dimensions in mm (not to scale)

No. 3

EVQPSC
EVQPSG

J-bent terminals,
without Boss

PWB land pattern for reference
(Tolerance:±0.1)


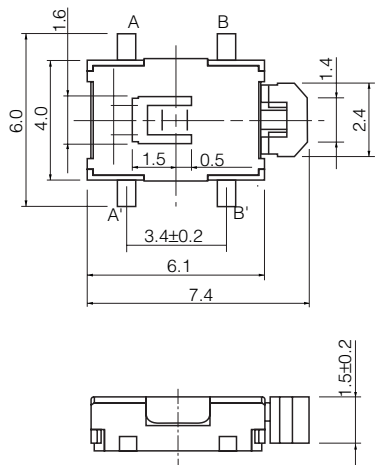
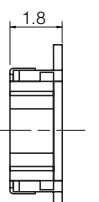
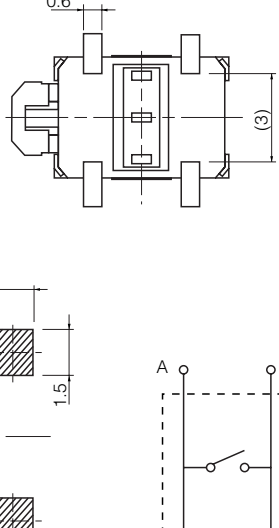
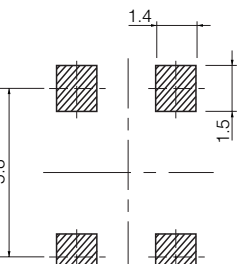
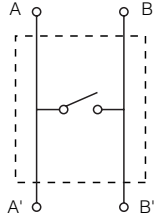
Circuit Diagram

Part Numbers	Operating Force	Height	Push Plate Color	Operating Life
EVQPSC02K	1.6 N	1.8 mm	Black	100000 cycles
EVQPSG02K	2.2 N	1.8 mm	Black	100000 cycles

No. 4

EVQPSSL
EVQPSQ

Straight terminals,
without Boss

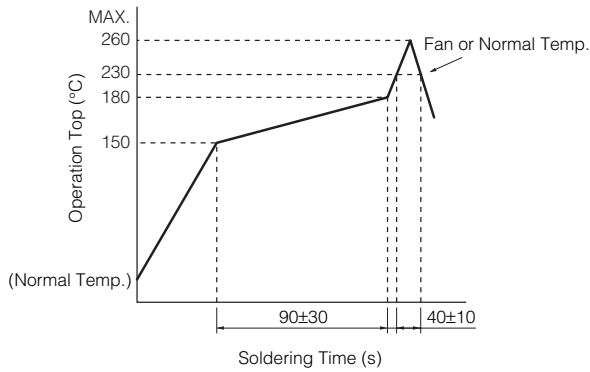
PWB land pattern for reference
(Tolerance:±0.1)

Circuit Diagram

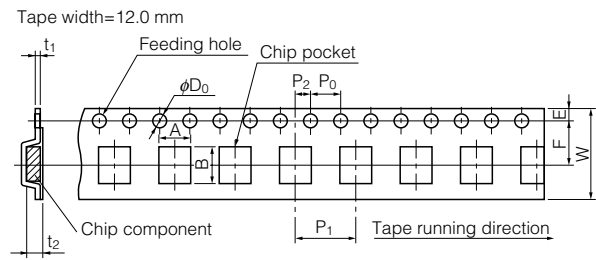
Part Numbers	Operating Force	Height	Push Plate Color	Operating Life
EVQPSSL02K	1.6 N	1.8 mm	Black	100000 cycles
EVQPSQ02K	2.2 N	1.8 mm	Black	100000 cycles

Design and specifications are each subject to change without notice. Ask factory for the current technical specifications before purchase and/or use.
Should a safety concern arise regarding this product, please be sure to contact us immediately.

Recommended Reflow Soldering Conditions



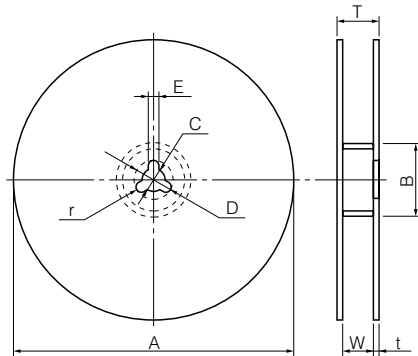
Embossed Carrier Taping



Unit: mm

Part No.	Height	A	B	W	F	E	P ₁	P ₂	P ₀	D ₀ Dia.	t ₁	t ₂
EVQPS	1.8	6.8±0.2	8.0±0.2	16.0±0.3	7.5±0.1	1.75±0.10	8.0±0.1	2.0±0.1	4.0±0.1	1.5 ^{+0.1} ₋₀	0.30±0.05	2.7±0.2

Standard Reel Dimensions in mm (not to scale)



Item	A	B	C	D	E
Rate (mm)	φ370.0±2.0	φ50.0 min.	φ13.0±0.5	φ21.0±1.0	2.0±0.5
Item	W	T	t	r	
Rate (mm)	18.0±1.5	—	1.0 to 3.0	1.0±0.5	