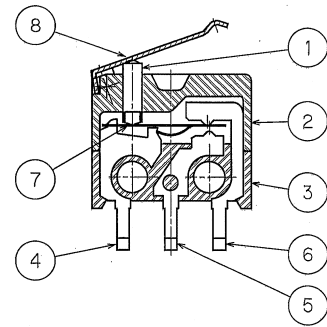
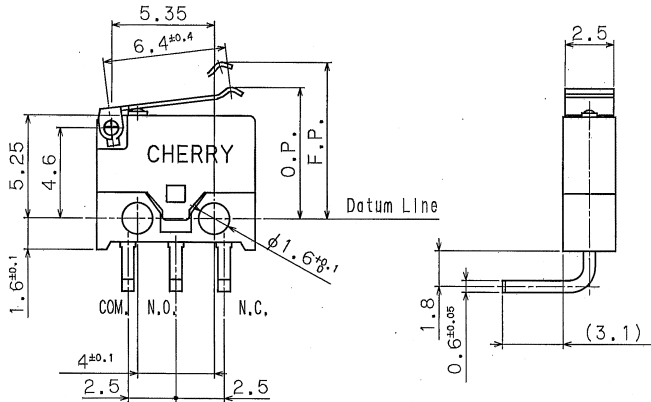


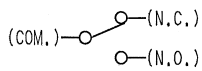
NO.	NAME	MATERIAL	Qty
1	BUTTON	PBT	1
2	COVER	PBT	1
3	BASE UNIT	PPS (COLOR:BLACK)	1
4	TERMINAL (COM.)	BRASS (NI+Au PLATED)	1
5	TERMINAL (N.O.)	BRASS (NI+Au PLATED)	1
6	TERMINAL (N.C.)	BRASS (NI+Au PLATED)	1
7	BLADE	STAINLESS (NI+Au PLATED)	1
8	ACTUATOR	STAINLESS	1



CONSTRUCTION

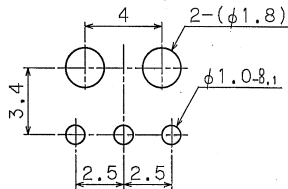
Note.1. Tolerance; unless otherwise specified ±0.2mm

CIRCUITRY



P-C Board Layout

Tolerance; ±0.05
(TOP VIEW)



Title	Micro Switch	Part No.	DH4C-C6LA	DWG No.	305427		
ECN-64687	10 Nov, '03			DWN	CKD	APP	REMARKS
EDITION 1 FIXED	10 Nov, '03			H. Hagihara	T. Nagasaki		
REVISE	DATE	REVISE	DATE	SCALE	UNITS	PROJ.	
				NON	mm	3RD	
HIROSE CHERRY						DIVISION	
						GEO	

保管期間: 版次修正U11年 技術課式E006A