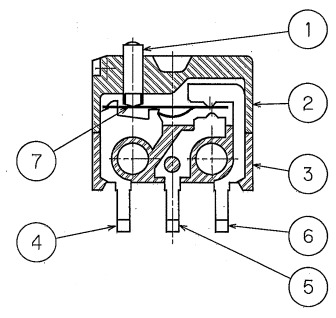
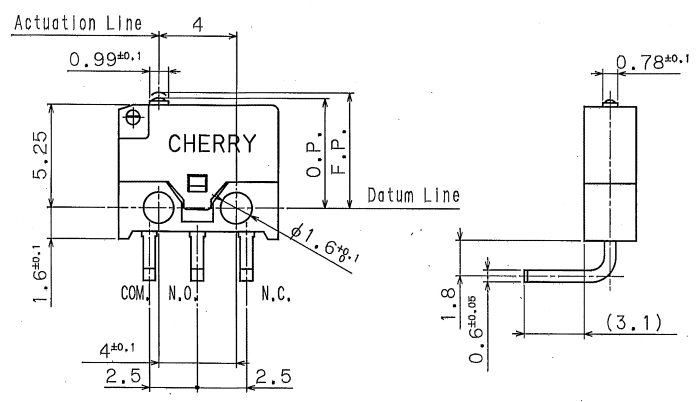


NO.	NAME	MATERIAL	Qty
1	BUTTON	PBT	1
2	COVER	PBT	1
3	BASE UNIT	PPS (COLOR:BLACK)	1
4	TERMINAL (COM.)	BRASS (NI+Au PLATED)	1
5	TERMINAL (N.O.)	BRASS (NI+Au PLATED)	1
6	TERMINAL (N.C.)	BRASS (NI+Au PLATED)	1
7	BLADE	STAINLESS (NI+Au PLATED)	1

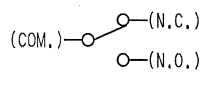


CONSTRUCTION

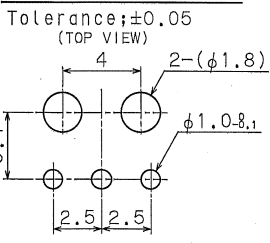


Note.1. Tolerance; unless otherwise specified ±0.2mm

CIRCUITRY



P-C Board Layout



REVISE	DATE	REVISE	DATE	DWN	CKD	APP	REMARKS
EDITION 1 FIXED	10 Nov. '03			H. Hagiwara	K. Higashimura	T. Ohno	
REVISION	DATE	REVISION	DATE	SCALE	UNITS	PROJ.	
				NON	mm	3RD	
				HIROSE CHERRY		DIVISION	
						GEOO	
Title	Micro Switch	Part No.	DH4C-C6AA	DWG No.	305426		

保特期間: 2003年11月11日 技術部 E006A