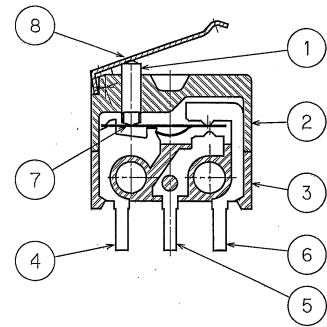
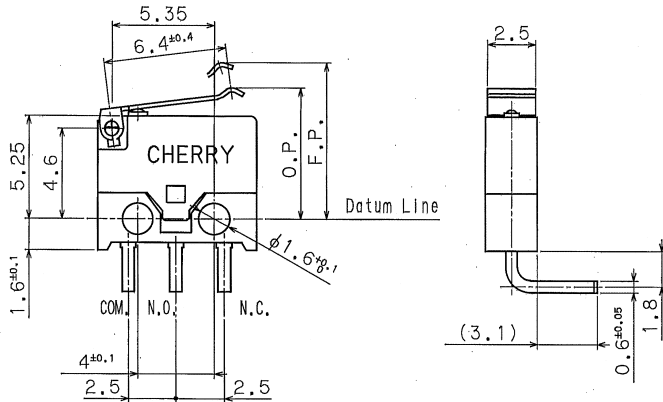


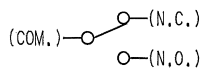
NO.	NAME	MATERIAL	Qty
1	BUTTON	PBT	1
2	COVER	PBT	1
3	BASE UNIT	PPS (COLOR:BLACK)	1
4	TERMINAL (COM.)	BRASS (NI+Au PLATED)	1
5	TERMINAL (N.O.)	BRASS (NI+Au PLATED)	1
6	TERMINAL (N.C.)	BRASS (NI+Au PLATED)	1
7	BLADE	STAINLESS (NI+Au PLATED)	1
8	ACTUATOR	STAINLESS	1



CONSTRUCTION

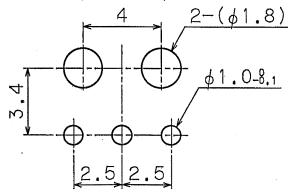
Note.1. Tolerance; unless otherwise specified $\pm 0.2\text{mm}$

CIRCUITRY



P-C Board Layout

Tolerance; ± 0.05
(TOP VIEW)



REVISE	DATE	REVISE	DATE	DWN	CKD	APP	REMARKS
ECN-64687	10 Nov. '03			H. Hagihara	T. Higashimura		
EDITION 1 FIXED	10 Nov. '03						
				SCALE	UNITS	PROJ.	
				NON	mm	3RD	
				HIROSE CHERRY			DIVISION
							GEOO
Title	Micro Switch	Part No.	DH4C-C5LA	DWG No.	305425		

保標期間: 販売停止R/U11年 技術書式E006A