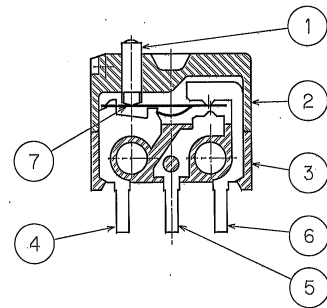
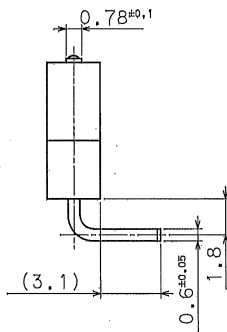
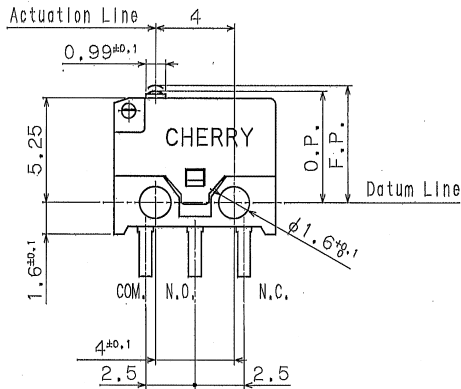


LOT No.
REF:01 4 A
A: MON, ~ WED.
B: THU, ~ SAT.
'04 year
1 week

NO.	NAME	MATERIAL	Qty
1	BUTTON	PBT	1
2	COVER	PBT	1
3	BASE UNIT	PPS (COLOR: BLACK)	1
4	TERMINAL (COM.)	BRASS (NI+Ag PLATED)	1
5	TERMINAL (N.O.)	BRASS (NI+Ag PLATED)	1
6	TERMINAL (N.C.)	BRASS (NI+Ag PLATED)	1
7	BLADE	STAINLESS (NI+Ag PLATED)	1

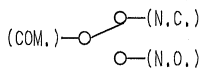


CONSTRUCTION



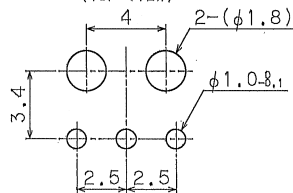
Note.1. Tolerance; unless otherwise specified ±0.2mm

CIRCUITRY



P-C Board Layout

Tolerance; ±0.05
(TOP VIEW)



REVISION	DATE	REVISION	DATE	DWN	CKD	APP	REMARKS
-	ECN-64777	7 Jan, '04					
-	EDITION 1 FIXED	7 Jan, '04					
	REVISION	DATE	REVISION	DATE			
				Hirose	CKD	APP	
				7 Jan, '04			
				SCALE	UNITS	PROJ.	
				NON	mm	3RD	
				HIROSE CHERRY			DIVISION
							GEO
Title	Micro Switch	Part No.	DH3C-C5AA	DWG No.	305448		

保管期間: 販売停止U11年 技術課E006A