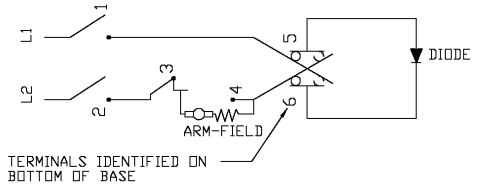
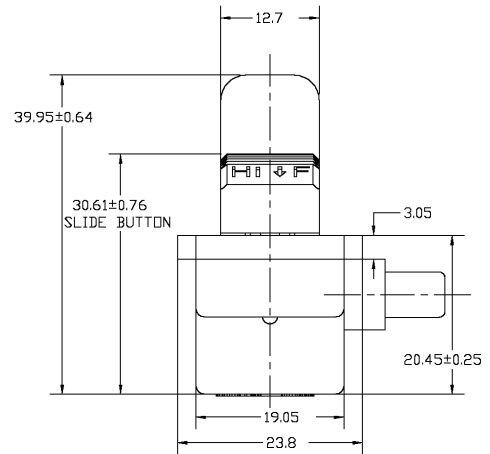


| LOC |     | DIST                      |         | REVISIONS |      |  |  |
|-----|-----|---------------------------|---------|-----------|------|--|--|
| P   | LTR | DESCRIPTION               | DATE    | DWN       | APVD |  |  |
| A   |     | RELEASE PER ECR-05-002019 | 20APR05 | JZ        | MS   |  |  |



TERMINALS IDENTIFIED ON BOTTOM OF BASE



- NOTES:
1. USE BRUSH CONTACT "TAB LOK" AMP P/N 62008 FOR TERMINAL CONNECTIONS OF THE SWITCH.
  2. SWITCH RATING 12A-125 VAC, 6A-250VAC
  3. GENERAL TOL IS ±0.25

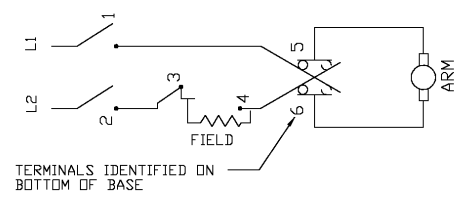
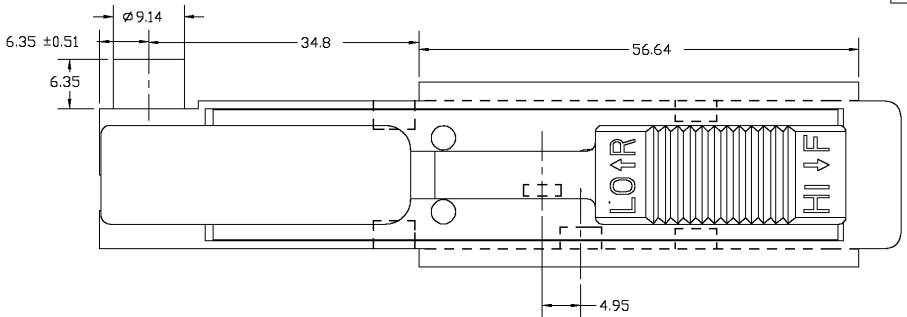
|   |  |                               |  |                    |
|---|--|-------------------------------|--|--------------------|
| <small>THIS DRAWING IS A CONTROLLED DOCUMENT FOR TYCO ELECTRONICS CORPORATION<br/>IT IS SUBJECT TO CHANGE AND THE CONTROLLING ENGINEERING ORGANIZATION<br/>SHOULD BE CONTACTED FOR THE LATEST REVISION.</small> |  | DWN<br>J.ZHANG<br>27APR2005   | Tyco Electronics<br>Shanghai, CHINA    |                    |
| DIMENSIONS:<br>MM   |  | CHK<br>K.OOISHI<br>27APR2005  | NAME<br>HI-LD SPEED TOOL HANDLE SWITCH |                    |
| TOLERANCES UNLESS OTHERWISE SPECIFIED:<br>0 PLC ±-<br>1 PLC ±-<br>2 PLC ±-<br>3 PLC ±-<br>4 PLC ±-<br>ANGLES ±-   |  | APVD<br>M.SHINDO<br>27APR2005 | RESTRICTED TO                          |                    |
| MATERIAL  |  | PRODUCT SPEC                  | SIZE<br>A3                             | CAGE CODE<br>00779 |
| FINISH  |  | APPLICATION SPEC              | DRAWING NO<br>C-1520279                | SCALE<br>2:1       |
|   |  | WEIGHT                        | SHEET 1 OF 5                           |                    |
|   |  | CUSTOMER DRAWING              | REV A                                  |                    |

AMP 1470-19 REV 31MAR2000

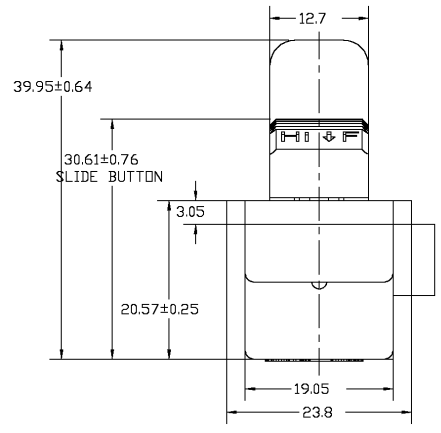
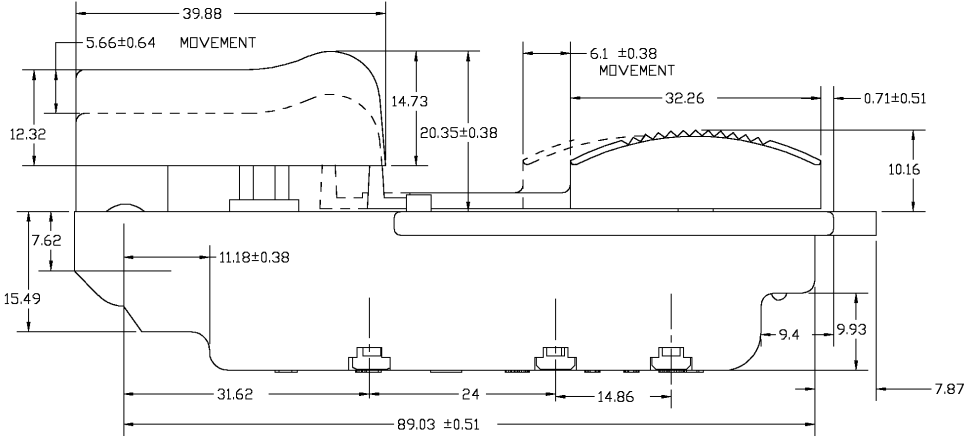
THIS DRAWING IS UNPUBLISHED. RELEASED FOR PUBLICATION 20  
 © COPYRIGHT 20 BY TYCO ELECTRONICS CORPORATION. ALL RIGHTS RESERVED.

LOC: ES DIST: 00

| REVISIONS |     |             |      |     |      |
|-----------|-----|-------------|------|-----|------|
| P         | LTR | DESCRIPTION | DATE | DWN | APVD |
|           |     | SEE SHEET 1 |      |     |      |



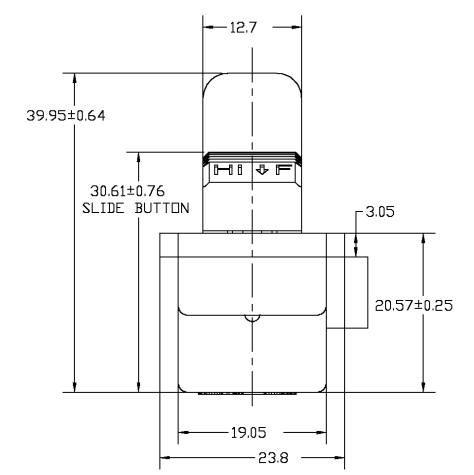
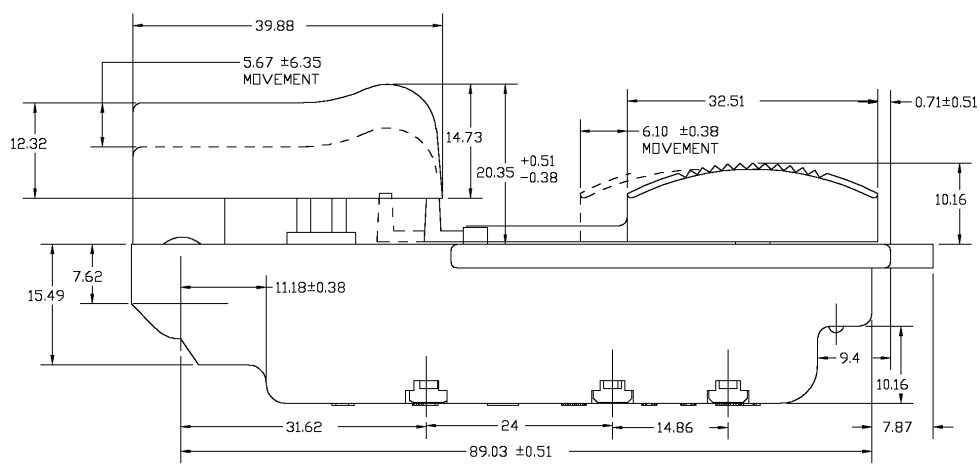
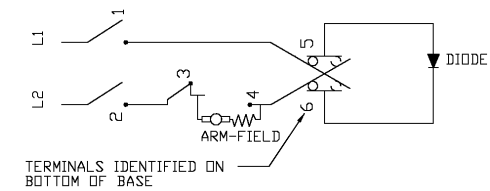
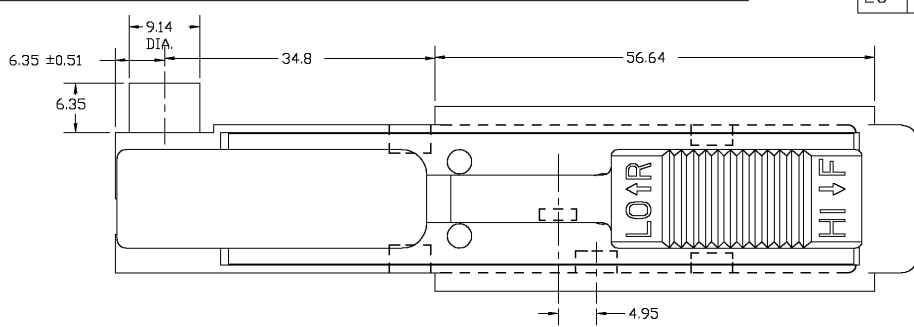
TERMINALS IDENTIFIED ON BOTTOM OF BASE



- NOTE:
1. USE BRUSH CONTACT "TAB LOK" AMP P/N 62008 FOR TERMINAL CONNECTIONS OF THE SWITCH.
  2. SWITCH RATING 12A-125 VAC, 6A-250VAC
  3. GENERAL TOL IS ±0.25

|   |  |   |                                     |  |
|---|--|---|-------------------------------------|--|
| <small>THIS DRAWING IS A CONTROLLED DOCUMENT FOR TYCO ELECTRONICS CORPORATION<br/>         IT IS SUBJECT TO CHANGE AND THE CONTROLLING ENGINEERING ORGANIZATION<br/>         SHOULD BE CONTACTED FOR THE LATEST REVISION.</small> |  | DWN: 20APR2005  | Tyco Electronics<br>Shanghai, CHINA | NAME: FORWARD-REVERSE TOOL HANDLE SW.<br>-<br>-<br>- |
| DIMENSIONS: M/M   |  | CHK: 20APR2005  |                                     |  |
| TOLERANCES UNLESS OTHERWISE SPECIFIED:<br>0 PLC ±-<br>1 PLC ±-<br>2 PLC ±-<br>3 PLC ±-<br>4 PLC ±-<br>ANGLES ±-   |  | APVD: 20APR2005                                       |                                     |  |
| MATERIAL: - FINISH: -   |  | PRODUCT SPEC: -<br>APPLICATION SPEC: -<br>WEIGHT: -   |                                     |  |
|   |  | SIZE: A3<br>CAGE CODE: 00779<br>DRAWING NO: ©-1520279 | RESTRICTED TO: -                    |  |
|   |  | CUSTOMER DRAWING                                      | SCALE: 2:1                          | SHEET 2 OF 5 REV A                                   |

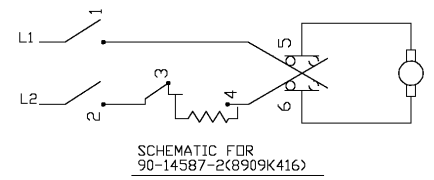
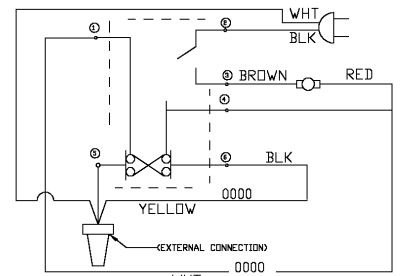
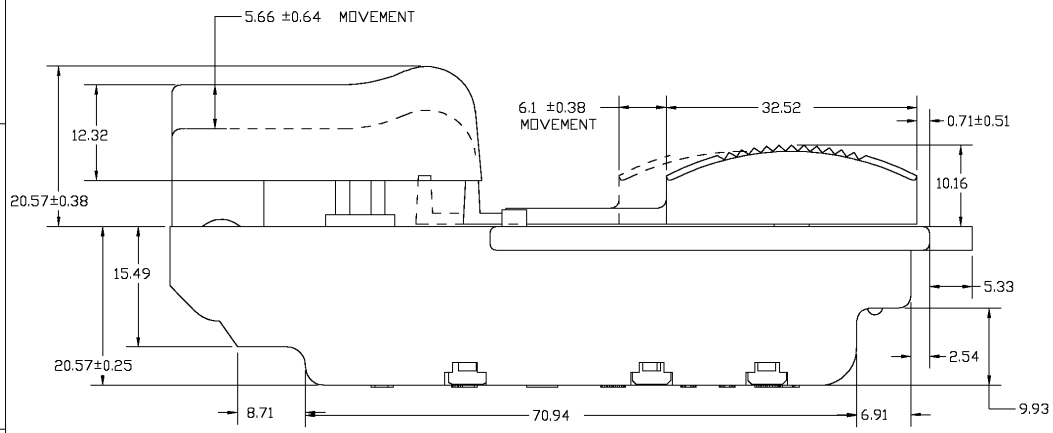
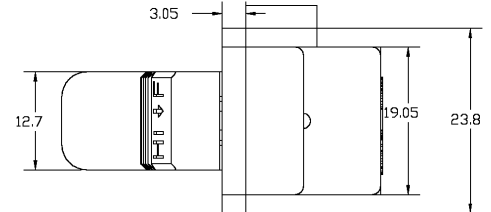
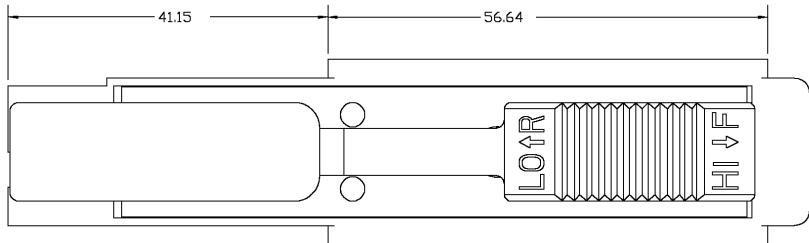
| REVISIONS |     |             |      |     |      |
|-----------|-----|-------------|------|-----|------|
| P         | LTR | DESCRIPTION | DATE | DWN | APVD |
| -         | -   | SEE SHEET 1 | -    | -   | -    |
|           |     |             |      |     |      |
|           |     |             |      |     |      |



- NOTES:
1. USE BRUSH CONTACT "TAB LOK" AMP P/N 62008 FOR TERMINAL CONNECTIONS OF THE SWITCH.
  2. SWITCH RATING 12A-125 VAC, 6A-250VAC
  3. GENERAL TOL IS ±0.25

|   |  |                                 |   |
|---|--|---------------------------------|---|
| <small>THIS DRAWING IS A CONTROLLED DOCUMENT FOR TYCO ELECTRONICS CORPORATION<br/>                 IT IS SUBJECT TO CHANGE AND THE CONTROLLING ENGINEERING ORGANIZATION<br/>                 SHOULD BE CONTACTED FOR THE LATEST REVISION.</small> |  | DWN<br>J.ZHANG<br>27APR2005     | Tyco Electronics<br>Shanghai, CHINA         |
| DIMENSIONS: TOLERANCES UNLESS OTHERWISE SPECIFIED<br>MM   |  | CHK<br>K.KOISHI<br>27APR2005    |   |
|   |  | APVD<br>M.SHINDO<br>27APR2005   | NAME<br>HI-LD SPEED TOOL HANDLE SWITCH      |
| MATERIAL: FINISH:   |  | APPLICATION SPEC: PRODUCT SPEC: | SIZE: CAGE CODE: DRAWING NO: RESTRICTED TO: |
| WEIGHT:   |  | WEIGHT: -                       | A3 00779 ©=1520279                          |
| CUSTOMER DRAWING  |  | SCALE: 2:1                      | SHEET 3 OF 5 REV A                          |

| LOC |     | DIST        |      | REVISIONS |      |  |  |
|-----|-----|-------------|------|-----------|------|--|--|
| P   | LTR | DESCRIPTION | DATE | DWN       | APVD |  |  |
| ES  | 00  | SEE SHEET 1 |      |           |      |  |  |



- NOTE:
1. USE BRUSH CONTACT 'TAB LOK' AMP, P/N 62008 FOR TERMINAL CONNECTIONS OF THE SWITCH.
  2. SWITCH RATING 12A-125 VAC, 6A-250VAC
  3. ±0.25 TOL. ON ALL DIMS UNLESS NOTED OTHERWISE

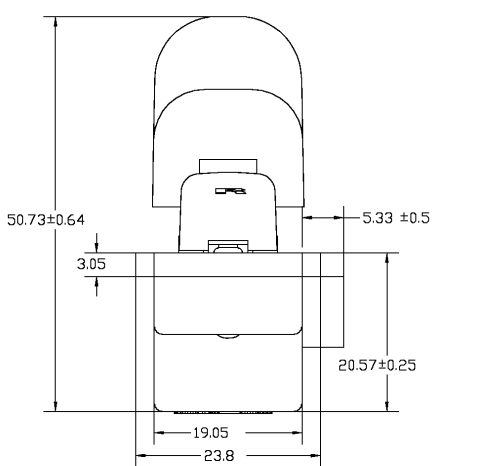
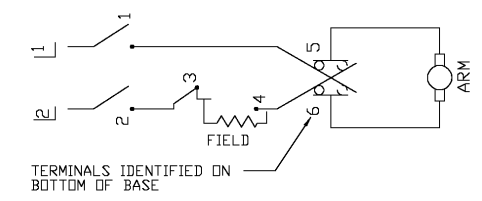
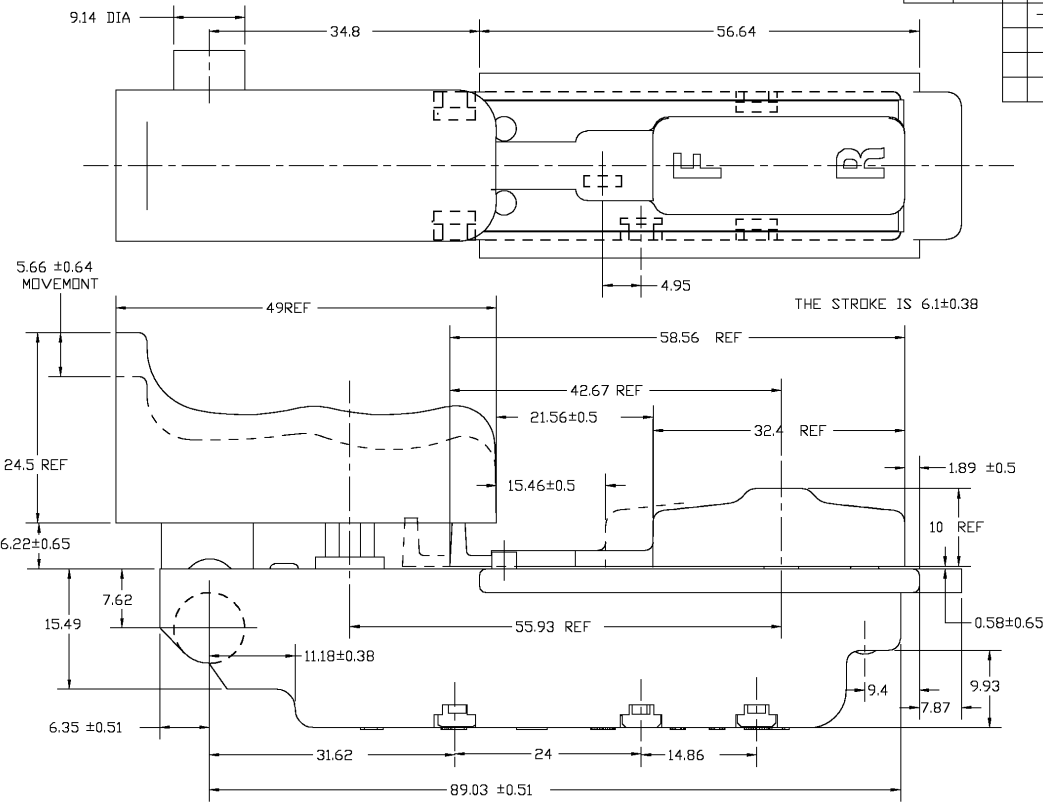
|  |            |                               |                                     |   |                         |          |                    |         |          |             |                  |        |              |                 |
|--|------------|-------------------------------|-------------------------------------|---|-------------------------|----------|--------------------|---------|----------|-------------|------------------|--------|--------------|-----------------|
| <small>THIS DRAWING IS A CONTROLLED DOCUMENT FOR TYCO ELECTRONICS CORPORATION<br/>                 IT IS SUBJECT TO CHANGE AND THE CONTROLLING ENGINEERING ORGANIZATION<br/>                 SHOULD BE CONTACTED FOR THE LATEST REVISION.</small>          |            | DWN<br>J.ZHANG<br>27APR2005   | Tyco Electronics<br>Shanghai, CHINA | NAME<br><b>FORWARD-REVERSE TOOL HANDLE SWITCH</b> | RESTRICTED TO<br>-      |          |                    |         |          |             |                  |        |              |                 |
| DIMENSIONS:<br>MM  |            | CHK<br>K.OOISHI<br>27APR2005  |                                     |   |                         |          |                    |         |          |             |                  |        |              |                 |
| TOLERANCES UNLESS OTHERWISE SPECIFIED:<br>0 PLC ±-<br>1 PLC ±-<br>2 PLC ±-<br>3 PLC ±-<br>4 PLC ±-<br>ANGLES ±-  |            | APVD<br>M.SHINDO<br>27APR2005 |                                     |   |                         |          |                    |         |          |             |                  |        |              |                 |
| MATERIAL   |            | PRODUCT SPEC                  | SIZE<br>A3                          | CAGE CODE<br>00779                                | DRAWING NO<br>©-1520279 |          |                    |         |          |             |                  |        |              |                 |
| <table border="1"> <tr> <td>1520279-7</td> <td>90-14587-2</td> <td>8909K416-BLACK COVER</td> </tr> <tr> <td>1520279-8</td> <td>90-14587</td> <td>8909K417-RED COVER</td> </tr> <tr> <td>TYCO NO</td> <td>EATON NO</td> <td>DESCRIPTION</td> </tr> </table> |            | 1520279-7                     | 90-14587-2                          | 8909K416-BLACK COVER                              | 1520279-8               | 90-14587 | 8909K417-RED COVER | TYCO NO | EATON NO | DESCRIPTION | APPLICATION SPEC | WEIGHT | SCALE<br>2:1 | SHEET<br>4 OF 5 |
| 1520279-7  | 90-14587-2 | 8909K416-BLACK COVER          |                                     |   |                         |          |                    |         |          |             |                  |        |              |                 |
| 1520279-8  | 90-14587   | 8909K417-RED COVER            |                                     |   |                         |          |                    |         |          |             |                  |        |              |                 |
| TYCO NO  | EATON NO   | DESCRIPTION                   |                                     |   |                         |          |                    |         |          |             |                  |        |              |                 |
| CUSTOMER DRAWING   |            |                               | REV<br>A                            |   |                         |          |                    |         |          |             |                  |        |              |                 |

THIS DRAWING IS UNPUBLISHED. RELEASED FOR PUBLICATION  
 © COPYRIGHT 20 BY TYCO ELECTRONICS CORPORATION. ALL RIGHTS RESERVED.

LOC ES DIST 00

REVISIONS

| P | LTR | DESCRIPTION | DATE | DWN | APVD |
|---|-----|-------------|------|-----|------|
| - | -   | SEE SHEET 1 | -    | -   | -    |



- NOTE:
1. OUTSIDE SURFACE OF TRIGGER AND BUTTON: (COLOR CODE: MATTE BLACK TEXTURE; MOLD-TECH MT-11010)
  2. USE BRUSH CONTACT "TAB LOK" AMP P/N 62008 FOR TERMINAL CONNECTIONS OF THE SWITCH.
  3. SWITCH RATING 12A-125 VAC, 6A-250VAC
  4. GENERAL TOL IS 0.25mm
  5. THE OPERATION FORCE OF TRIGGER: 3.0Kg~6.0Kg
  6. THE OPERATION FORCE OF SLIDE BUTTON: 1.0Kg~4.0Kg

|   |  |  |                                     |                 |                      |
|---|--|--|-------------------------------------|-----------------|----------------------|
| <small>THIS DRAWING IS A CONTROLLED DOCUMENT FOR TYCO ELECTRONICS CORPORATION. IT IS SUBJECT TO CHANGE AND THE CONTROLLING ENGINEERING ORGANIZATION SHOULD BE CONTACTED FOR THE LATEST REVISIONS.</small> |  | DWN 27APR2005  | BLACK                               | BLACK           | 1-1520279-5          |
|   |  | CHK J.ZHANG 27APR2005  | BUTTON COL.                         | TRIGGER COL.    | TYCO P/N             |
|   |  | APVD K.OOISHI 27APR2005  | Tyco Electronics<br>Shanghai, CHINA |                 |                      |
|   |  | M.SHINDO 27APR2005   |                                     |                 |                      |
| DIMENSIONS: M/M<br>   |  | NAME CLASSIC INDUSTRIAL COMB. SWITCH WITH NEW TRIGGER AND BUTTON |                                     |                 |                      |
| TOLERANCES UNLESS OTHERWISE SPECIFIED:<br>0 PLC ±-<br>1 PLC ±-<br>2 PLC ±-<br>3 PLC ±-<br>4 PLC ±-<br>ANGLES ±-   |  | PRODUCT SPEC -   |                                     |                 |                      |
| MATERIAL -  |  | APPLICATION SPEC -   |                                     |                 |                      |
|   |  | WEIGHT -   | SIZE A3                             | CAGE CODE 00779 | DRAWING NO ©=1520279 |
|   |  | CUSTOMER DRAWING   | SCALE 2:1                           | SHEET 5 OF 5    | REV A                |