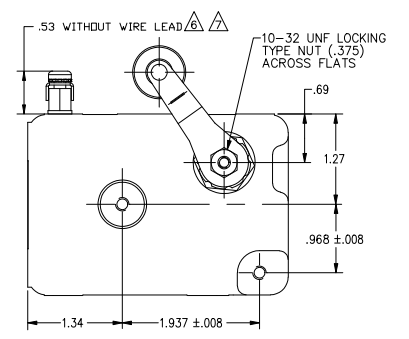
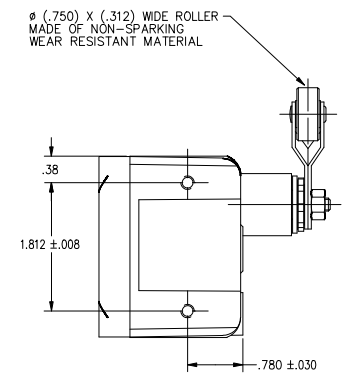
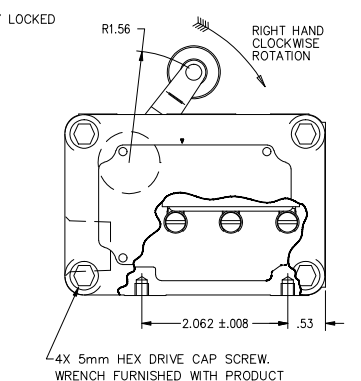
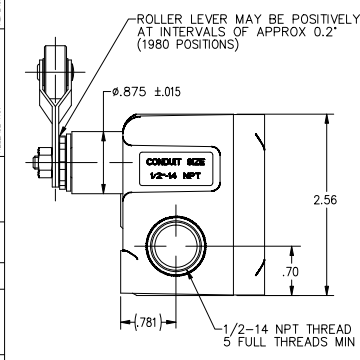
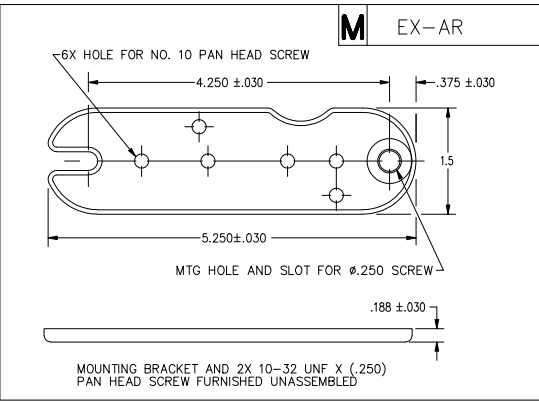
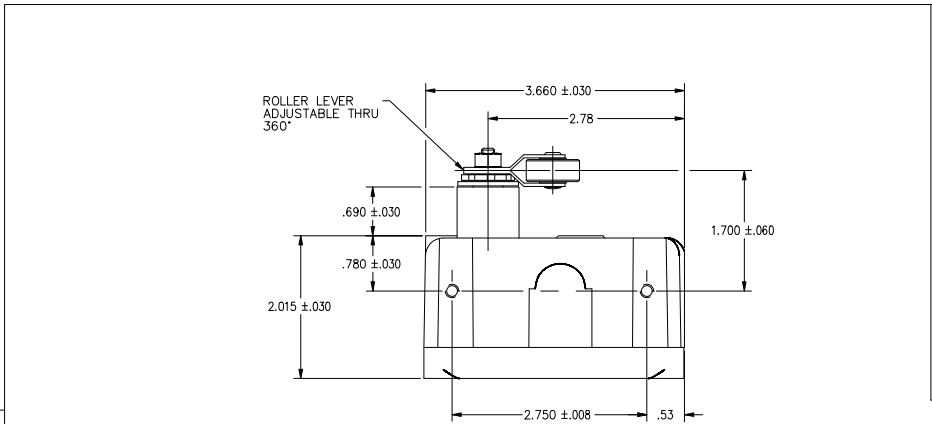


EX-AR
 RELEASE NO.
 REVISIONS
 A 10/25/92
 B 02/19/92
 C 02/27/92
 D 02/27/92
 E 02/27/92
 F 02/27/92
 G 02/27/92
 H 02/27/92
 I 02/27/92
 J 02/27/92
 K 02/27/92
 L 02/27/92
 M 02/27/92
 N 02/27/92
 O 02/27/92
 P 02/27/92
 Q 02/27/92
 R 02/27/92
 S 02/27/92
 T 02/27/92
 U 02/27/92
 V 02/27/92
 W 02/27/92
 X 02/27/92
 Y 02/27/92
 Z 02/27/92
 AA 02/27/92
 AB 02/27/92
 AC 02/27/92
 AD 02/27/92
 AE 02/27/92
 AF 02/27/92
 AG 02/27/92
 AH 02/27/92
 AI 02/27/92
 AJ 02/27/92
 AK 02/27/92
 AL 02/27/92
 AM 02/27/92
 AN 02/27/92
 AO 02/27/92
 AP 02/27/92
 AQ 02/27/92
 AR 02/27/92
 AS 02/27/92
 AT 02/27/92
 AU 02/27/92
 AV 02/27/92
 AW 02/27/92
 AX 02/27/92
 AY 02/27/92
 AZ 02/27/92
 BZ 02/27/92
 CA 02/27/92
 CB 02/27/92
 CC 02/27/92
 CD 02/27/92
 CE 02/27/92
 CF 02/27/92
 CG 02/27/92
 CH 02/27/92
 CI 02/27/92
 CJ 02/27/92
 CK 02/27/92
 CL 02/27/92
 CM 02/27/92
 CN 02/27/92
 CO 02/27/92
 CP 02/27/92
 CQ 02/27/92
 CR 02/27/92
 CS 02/27/92
 CT 02/27/92
 CU 02/27/92
 CV 02/27/92
 CW 02/27/92
 CX 02/27/92
 CY 02/27/92
 CZ 02/27/92
 DA 02/27/92
 DB 02/27/92
 DC 02/27/92
 DD 02/27/92
 DE 02/27/92
 DF 02/27/92
 DG 02/27/92
 DH 02/27/92
 DI 02/27/92
 DJ 02/27/92
 DK 02/27/92
 DL 02/27/92
 DM 02/27/92
 DN 02/27/92
 DO 02/27/92
 DP 02/27/92
 DQ 02/27/92
 DR 02/27/92
 DS 02/27/92
 DT 02/27/92
 DU 02/27/92
 DV 02/27/92
 DW 02/27/92
 DX 02/27/92
 DY 02/27/92
 DZ 02/27/92
 EA 02/27/92
 EB 02/27/92
 EC 02/27/92
 ED 02/27/92
 EE 02/27/92
 EF 02/27/92
 EG 02/27/92
 EH 02/27/92
 EI 02/27/92
 EJ 02/27/92
 EK 02/27/92
 EL 02/27/92
 EM 02/27/92
 EN 02/27/92
 EO 02/27/92
 EP 02/27/92
 EQ 02/27/92
 ER 02/27/92
 ES 02/27/92
 ET 02/27/92
 EU 02/27/92
 EV 02/27/92
 EW 02/27/92
 EX 02/27/92
 EY 02/27/92
 EZ 02/27/92
 FA 02/27/92
 FB 02/27/92
 FC 02/27/92
 FD 02/27/92
 FE 02/27/92
 FF 02/27/92
 FG 02/27/92
 FH 02/27/92
 FI 02/27/92
 FJ 02/27/92
 FK 02/27/92
 FL 02/27/92
 FM 02/27/92
 FN 02/27/92
 FO 02/27/92
 FP 02/27/92
 FQ 02/27/92
 FR 02/27/92
 FS 02/27/92
 FT 02/27/92
 FU 02/27/92
 FV 02/27/92
 FW 02/27/92
 FX 02/27/92
 FY 02/27/92
 FZ 02/27/92
 GA 02/27/92
 GB 02/27/92
 GC 02/27/92
 GD 02/27/92
 GE 02/27/92
 GF 02/27/92
 GG 02/27/92
 GH 02/27/92
 GI 02/27/92
 GJ 02/27/92
 GK 02/27/92
 GL 02/27/92
 GM 02/27/92
 GN 02/27/92
 GO 02/27/92
 GP 02/27/92
 GQ 02/27/92
 GR 02/27/92
 GS 02/27/92
 GT 02/27/92
 GU 02/27/92
 GV 02/27/92
 GW 02/27/92
 GX 02/27/92
 GY 02/27/92
 GZ 02/27/92
 HA 02/27/92
 HB 02/27/92
 HC 02/27/92
 HD 02/27/92
 HE 02/27/92
 HF 02/27/92
 HG 02/27/92
 HH 02/27/92
 HI 02/27/92
 HJ 02/27/92
 HK 02/27/92
 HL 02/27/92
 HM 02/27/92
 HN 02/27/92
 HO 02/27/92
 HP 02/27/92
 HQ 02/27/92
 HR 02/27/92
 HS 02/27/92
 HT 02/27/92
 HU 02/27/92
 HV 02/27/92
 HW 02/27/92
 HX 02/27/92
 HY 02/27/92
 HZ 02/27/92
 IA 02/27/92
 IB 02/27/92
 IC 02/27/92
 ID 02/27/92
 IE 02/27/92
 IF 02/27/92
 IG 02/27/92
 IH 02/27/92
 II 02/27/92
 IJ 02/27/92
 IK 02/27/92
 IL 02/27/92
 IM 02/27/92
 IN 02/27/92
 IO 02/27/92
 IP 02/27/92
 IQ 02/27/92
 IR 02/27/92
 IS 02/27/92
 IT 02/27/92
 IU 02/27/92
 IV 02/27/92
 IW 02/27/92
 IX 02/27/92
 IY 02/27/92
 IZ 02/27/92
 JA 02/27/92
 JB 02/27/92
 JC 02/27/92
 JD 02/27/92
 JE 02/27/92
 JF 02/27/92
 JG 02/27/92
 JH 02/27/92
 JI 02/27/92
 JJ 02/27/92
 JK 02/27/92
 JL 02/27/92
 JM 02/27/92
 JN 02/27/92
 JO 02/27/92
 JP 02/27/92
 JQ 02/27/92
 JR 02/27/92
 JS 02/27/92
 JT 02/27/92
 JU 02/27/92
 JV 02/27/92
 JW 02/27/92
 JX 02/27/92
 JY 02/27/92
 JZ 02/27/92
 KA 02/27/92
 KB 02/27/92
 KC 02/27/92
 KD 02/27/92
 KE 02/27/92
 KF 02/27/92
 KG 02/27/92
 KH 02/27/92
 KI 02/27/92
 KJ 02/27/92
 KK 02/27/92
 KL 02/27/92
 KM 02/27/92
 KN 02/27/92
 KO 02/27/92
 KP 02/27/92
 KQ 02/27/92
 KR 02/27/92
 KS 02/27/92
 KT 02/27/92
 KU 02/27/92
 KV 02/27/92
 KW 02/27/92
 KX 02/27/92
 KY 02/27/92
 KZ 02/27/92
 LA 02/27/92
 LB 02/27/92
 LC 02/27/92
 LD 02/27/92
 LE 02/27/92
 LF 02/27/92
 LG 02/27/92
 LH 02/27/92
 LI 02/27/92
 LJ 02/27/92
 LK 02/27/92
 LL 02/27/92
 LM 02/27/92
 LN 02/27/92
 LO 02/27/92
 LP 02/27/92
 LQ 02/27/92
 LR 02/27/92
 LS 02/27/92
 LT 02/27/92
 LU 02/27/92
 LV 02/27/92
 LW 02/27/92
 LX 02/27/92
 LY 02/27/92
 LZ 02/27/92
 MA 02/27/92
 MB 02/27/92
 MC 02/27/92
 MD 02/27/92
 ME 02/27/92
 MF 02/27/92
 MG 02/27/92
 MH 02/27/92
 MI 02/27/92
 MJ 02/27/92
 MK 02/27/92
 ML 02/27/92
 MM 02/27/92
 MN 02/27/92
 MO 02/27/92
 MP 02/27/92
 MQ 02/27/92
 MR 02/27/92
 MS 02/27/92
 MT 02/27/92
 MU 02/27/92
 MV 02/27/92
 MW 02/27/92
 MX 02/27/92
 MY 02/27/92
 MZ 02/27/92
 NA 02/27/92
 NB 02/27/92
 NC 02/27/92
 ND 02/27/92
 NE 02/27/92
 NF 02/27/92
 NG 02/27/92
 NH 02/27/92
 NI 02/27/92
 NJ 02/27/92
 NK 02/27/92
 NL 02/27/92
 NM 02/27/92
 NN 02/27/92
 NO 02/27/92
 NP 02/27/92
 NQ 02/27/92
 NR 02/27/92
 NS 02/27/92
 NT 02/27/92
 NU 02/27/92
 NV 02/27/92
 NW 02/27/92
 NX 02/27/92
 NY 02/27/92
 NZ 02/27/92
 OA 02/27/92
 OB 02/27/92
 OC 02/27/92
 OD 02/27/92
 OE 02/27/92
 OF 02/27/92
 OG 02/27/92
 OH 02/27/92
 OI 02/27/92
 OJ 02/27/92
 OK 02/27/92
 OL 02/27/92
 OM 02/27/92
 ON 02/27/92
 OO 02/27/92
 OP 02/27/92
 OQ 02/27/92
 OR 02/27/92
 OS 02/27/92
 OT 02/27/92
 OU 02/27/92
 OV 02/27/92
 OW 02/27/92
 OX 02/27/92
 OY 02/27/92
 OZ 02/27/92
 PA 02/27/92
 PB 02/27/92
 PC 02/27/92
 PD 02/27/92
 PE 02/27/92
 PF 02/27/92
 PG 02/27/92
 PH 02/27/92
 PI 02/27/92
 PJ 02/27/92
 PK 02/27/92
 PL 02/27/92
 PM 02/27/92
 PN 02/27/92
 PO 02/27/92
 PP 02/27/92
 PQ 02/27/92
 PR 02/27/92
 PS 02/27/92
 PT 02/27/92
 PU 02/27/92
 PV 02/27/92
 PW 02/27/92
 PX 02/27/92
 PY 02/27/92
 PZ 02/27/92
 QA 02/27/92
 QB 02/27/92
 QC 02/27/92
 QD 02/27/92
 QE 02/27/92
 QF 02/27/92
 QG 02/27/92
 QH 02/27/92
 QI 02/27/92
 QJ 02/27/92
 QK 02/27/92
 QL 02/27/92
 QM 02/27/92
 QN 02/27/92
 QO 02/27/92
 QP 02/27/92
 QQ 02/27/92
 QR 02/27/92
 QS 02/27/92
 QT 02/27/92
 QU 02/27/92
 QV 02/27/92
 QW 02/27/92
 QX 02/27/92
 QY 02/27/92
 QZ 02/27/92
 RA 02/27/92
 RB 02/27/92
 RC 02/27/92
 RD 02/27/92
 RE 02/27/92
 RF 02/27/92
 RG 02/27/92
 RH 02/27/92
 RI 02/27/92
 RJ 02/27/92
 RK 02/27/92
 RL 02/27/92
 RM 02/27/92
 RN 02/27/92
 RO 02/27/92
 RP 02/27/92
 RQ 02/27/92
 RR 02/27/92
 RS 02/27/92
 RT 02/27/92
 RU 02/27/92
 RV 02/27/92
 RW 02/27/92
 RX 02/27/92
 RY 02/27/92
 RZ 02/27/92
 SA 02/27/92
 SB 02/27/92
 SC 02/27/92
 SD 02/27/92
 SE 02/27/92
 SF 02/27/92
 SG 02/27/92
 SH 02/27/92
 SI 02/27/92
 SJ 02/27/92
 SK 02/27/92
 SL 02/27/92
 SM 02/27/92
 SN 02/27/92
 SO 02/27/92
 SP 02/27/92
 SQ 02/27/92
 SR 02/27/92
 SS 02/27/92
 ST 02/27/92
 SU 02/27/92
 SV 02/27/92
 SW 02/27/92
 SX 02/27/92
 SY 02/27/92
 SZ 02/27/92
 TA 02/27/92
 TB 02/27/92
 TC 02/27/92
 TD 02/27/92
 TE 02/27/92
 TF 02/27/92
 TG 02/27/92
 TH 02/27/92
 TI 02/27/92
 TJ 02/27/92
 TK 02/27/92
 TL 02/27/92
 TM 02/27/92
 TN 02/27/92
 TO 02/27/92
 TP 02/27/92
 TQ 02/27/92
 TR 02/27/92
 TS 02/27/92
 TT 02/27/92
 TU 02/27/92
 TV 02/27/92
 TW 02/27/92
 TX 02/27/92
 TY 02/27/92
 TZ 02/27/92
 UA 02/27/92
 UB 02/27/92
 UC 02/27/92
 UD 02/27/92
 UE 02/27/92
 UF 02/27/92
 UG 02/27/92
 UH 02/27/92
 UI 02/27/92
 UJ 02/27/92
 UK 02/27/92
 UL 02/27/92
 UM 02/27/92
 UN 02/27/92
 UO 02/27/92
 UP 02/27/92
 UQ 02/27/92
 UR 02/27/92
 US 02/27/92
 UT 02/27/92
 UY 02/27/92
 UZ 02/27/92
 VA 02/27/92
 VB 02/27/92
 VC 02/27/92
 VD 02/27/92
 VE 02/27/92
 VF 02/27/92
 VG 02/27/92
 VH 02/27/92
 VI 02/27/92
 VJ 02/27/92
 VK 02/27/92
 VL 02/27/92
 VM 02/27/92
 VN 02/27/92
 VO 02/27/92
 VP 02/27/92
 VQ 02/27/92
 VR 02/27/92
 VS 02/27/92
 VT 02/27/92
 VY 02/27/92
 VZ 02/27/92
 WA 02/27/92
 WB 02/27/92
 WC 02/27/92
 WD 02/27/92
 WE 02/27/92
 WF 02/27/92
 WG 02/27/92
 WH 02/27/92
 WI 02/27/92
 WJ 02/27/92
 WK 02/27/92
 WL 02/27/92
 WM 02/27/92
 WN 02/27/92
 WO 02/27/92
 WP 02/27/92
 WQ 02/27/92
 WR 02/27/92
 WS 02/27/92
 WT 02/27/92
 WY 02/27/92
 WZ 02/27/92
 XA 02/27/92
 XB 02/27/92
 XC 02/27/92
 XD 02/27/92
 XE 02/27/92
 XF 02/27/92
 XG 02/27/92
 XH 02/27/92
 XI 02/27/92
 XJ 02/27/92
 XK 02/27/92
 XL 02/27/92
 XM 02/27/92
 XN 02/27/92
 XO 02/27/92
 XP 02/27/92
 XQ 02/27/92
 XR 02/27/92
 XS 02/27/92
 XT 02/27/92
 XY 02/27/92
 XZ 02/27/92
 YA 02/27/92
 YB 02/27/92
 YC 02/27/92
 YD 02/27/92
 YE 02/27/92
 YF 02/27/92
 YG 02/27/92
 YH 02/27/92
 YI 02/27/92
 YJ 02/27/92
 YK 02/27/92
 YL 02/27/92
 YM 02/27/92
 YN 02/27/92
 YO 02/27/92
 YP 02/27/92
 YQ 02/27/92
 YR 02/27/92
 YS 02/27/92
 YT 02/27/92
 YY 02/27/92
 YZ 02/27/92
 ZA 02/27/92
 ZB 02/27/92
 ZC 02/27/92
 ZD 02/27/92
 ZE 02/27/92
 ZF 02/27/92
 ZG 02/27/92
 ZH 02/27/92
 ZI 02/27/92
 ZJ 02/27/92
 ZK 02/27/92
 ZL 02/27/92
 ZM 02/27/92
 ZN 02/27/92
 ZO 02/27/92
 ZP 02/27/92
 ZQ 02/27/92
 ZR 02/27/92
 ZS 02/27/92
 ZT 02/27/92
 ZY 02/27/92
 ZZ 02/27/92



- NOTES
- 1 - EXPLOSION PROOF - UNDERWRITERS LAB INC LISTED FOR HAZARDOUS LOCATIONS
 - 2 - NEMA 7, CLASS I, GROUPS C AND D, NEMA 9 CLASS II, GROUPS E, F, AND G
 - 3 - 8X MOUNTING SCREW HOLE, 10-32 UNF THREADS X (.219) DEEP
 - 4 - 8-32 UNC X (.219) TERMINAL SCREWS AND CUPWASHERS
 - 5 - EUROPEAN HAZARDOUS LOCATIONS DESIGNATION: Ex d IIB + H2 T6 CATEGORY II 2 G
 - 6 - SEALING RATING: NEMA 1
 - 7 - EXTERNAL GROUND SCREW MAY BE ASSEMBLED TO ANY UNUSED MOUNTING SCREW HOLE
 - 8 - ASSEMBLE PROVIDED SPLIT LOCKWASHER BETWEEN GROUND LUG AND HOUSING.

CHARACTERISTICS
OPERATING FORCE — 1/2 - 1 1/4 LB
RELEASE FORCE — 1/4 LB MIN
PRETRAVEL — .219 MAX 8"
DIFFERENTIAL TRAVEL — .007 MAX 1/4"
DO NOT OVERTRAVEL MORE THAN — 90°
SWITCH - BASIC REPLACEMENT - BZ-2R-P4

ELECTRICAL DATA
CONTACT ARRANGEMENT S P D T
L96
15A 125, 250 OR 480 VAC
1/8HP 125 VAC, 1/4HP 250 VAC
1/2A 125 VDC, 1/4A 250 VDC

MASTER REDUCED
 ANSI Y14.5M-1982 APPLIES

THIS DRAWING COVERS A PROPRIETARY ITEM AND IS THE PROPERTY OF MICRO SWITCH, A DIVISION OF HONEYWELL. THIS DRAWING IS NOT TO BE COPIED OR USED WITHOUT THE APPROVAL OF MICRO SWITCH.
MICRO SWITCH
 a Honeywell Division
 SWITCH - ENCLOSED
 FED. REG. CODE 91929

CATALOG LISTING
EX-AR

THIRD ANGLE PROJECTION
SCALE FULL
DO NOT SCALE PRINT
UNLESS OTHERWISE SPECIFIED TOLERANCES ARE
ONE PLACE (.0) ± 0.30
TWO PLACES (.00) ± 0.015
THREE PLACES (.000) ± 0.005
ANGLES ±
WEIGHT