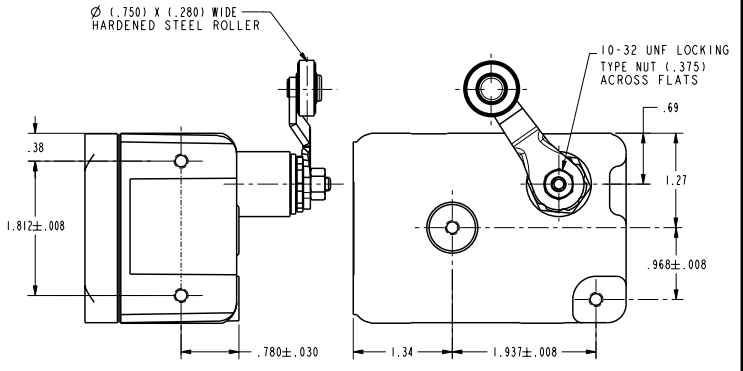
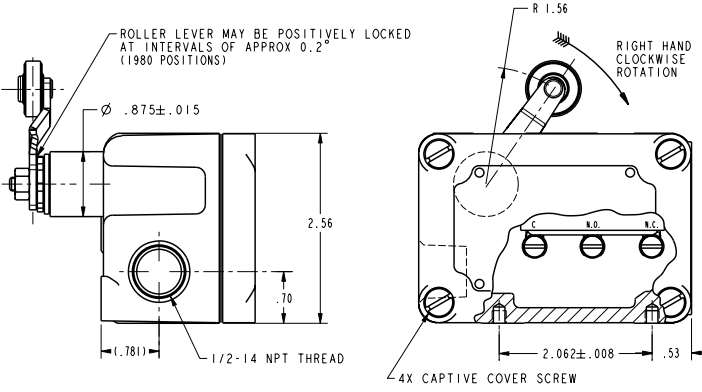
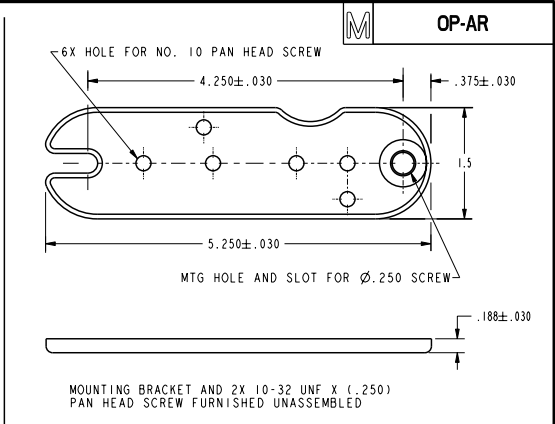
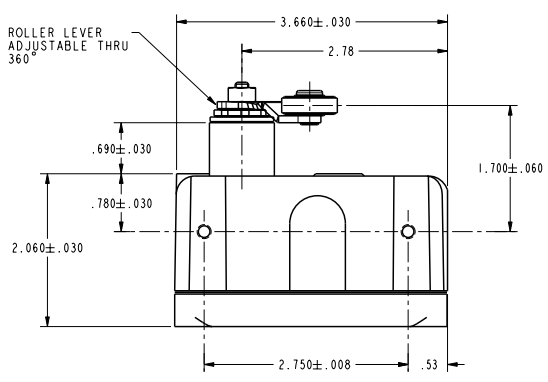


P.T.C./CAD 70  
 DRAWN BY J.M. JEFFREY  
 CHECKED BY J.M. JEFFREY  
 DATE 10/24/70  
 REVISIONS  
 1 - 10/24/70  
 2 - 10/24/70  
 3 - 10/24/70  
 4 - 10/24/70  
 5 - 10/24/70  
 6 - 10/24/70  
 7 - 10/24/70  
 8 - 10/24/70  
 9 - 10/24/70  
 10 - 10/24/70  
 11 - 10/24/70  
 12 - 10/24/70  
 13 - 10/24/70  
 14 - 10/24/70  
 15 - 10/24/70  
 16 - 10/24/70  
 17 - 10/24/70  
 18 - 10/24/70  
 19 - 10/24/70  
 20 - 10/24/70  
 21 - 10/24/70  
 22 - 10/24/70  
 23 - 10/24/70  
 24 - 10/24/70  
 25 - 10/24/70  
 26 - 10/24/70  
 27 - 10/24/70  
 28 - 10/24/70  
 29 - 10/24/70  
 30 - 10/24/70  
 31 - 10/24/70  
 32 - 10/24/70  
 33 - 10/24/70  
 34 - 10/24/70  
 35 - 10/24/70  
 36 - 10/24/70  
 37 - 10/24/70  
 38 - 10/24/70  
 39 - 10/24/70  
 40 - 10/24/70  
 41 - 10/24/70  
 42 - 10/24/70  
 43 - 10/24/70  
 44 - 10/24/70  
 45 - 10/24/70  
 46 - 10/24/70  
 47 - 10/24/70  
 48 - 10/24/70  
 49 - 10/24/70  
 50 - 10/24/70  
 51 - 10/24/70  
 52 - 10/24/70  
 53 - 10/24/70  
 54 - 10/24/70  
 55 - 10/24/70  
 56 - 10/24/70  
 57 - 10/24/70  
 58 - 10/24/70  
 59 - 10/24/70  
 60 - 10/24/70  
 61 - 10/24/70  
 62 - 10/24/70  
 63 - 10/24/70  
 64 - 10/24/70  
 65 - 10/24/70  
 66 - 10/24/70  
 67 - 10/24/70  
 68 - 10/24/70  
 69 - 10/24/70  
 70 - 10/24/70  
 71 - 10/24/70  
 72 - 10/24/70  
 73 - 10/24/70  
 74 - 10/24/70  
 75 - 10/24/70  
 76 - 10/24/70  
 77 - 10/24/70  
 78 - 10/24/70  
 79 - 10/24/70  
 80 - 10/24/70  
 81 - 10/24/70  
 82 - 10/24/70  
 83 - 10/24/70  
 84 - 10/24/70  
 85 - 10/24/70  
 86 - 10/24/70  
 87 - 10/24/70  
 88 - 10/24/70  
 89 - 10/24/70  
 90 - 10/24/70  
 91 - 10/24/70  
 92 - 10/24/70  
 93 - 10/24/70  
 94 - 10/24/70  
 95 - 10/24/70  
 96 - 10/24/70  
 97 - 10/24/70  
 98 - 10/24/70  
 99 - 10/24/70  
 100 - 10/24/70



NOTES  
 1 - 8X MOUNTING SCREW HOLES, 10-32 UNF-2B THREADS X (.219) DEEP  
 2 - 8-32 UNC X (.219) BINDING HEAD TERMINAL SCREWS AND CUPWASHERS  
 3 - SEALED CONSTRUCTION PROVIDES SPLASH RESISTANCE

CHARACTERISTICS	ELECTRICAL DATA
OPERATING FORCE ----- 1/2 - 1 1/4 LB	CONTACT ARRANGEMENT S P D T
RELEASE FORCE ----- 1/4 LB MIN	L96
PRETRAVEL ----- .219 MAX 8°	15A 125, 250 OR 480 VAC
DIFFERENTIAL TRAVEL --- .007 MAX 1/4°	1/8HP 125 VAC, 1/4HP 250 VAC
DO NOT OVERTRAVEL MORE THAN --- 90°	1/2A 125 VDC, 1/4A 250 VDC
SWITCH - BASIC REPLACEMENT - BZ-2R-P4	

ANSI Y14.5M-1982 APPLIES

MICRO SWITCH  
 a Honeywell Division  
 SWITCH - ENCLOSED  
 OP-AR  
 CATALOG LISTING  
 FED. MFG. CODE 91829

THIRD ANGLE PROJECTION		
SCALE FULL		
DO NOT SCALE PRINT		
UNLESS OTHERWISE SPECIFIED TOLERANCES ARE		
ONE PLACE	(.01)	±.030
TWO PLACES	(.001)	±.015
THREE PLACES	(.0001)	±.005
ANGLES		±
WEIGHT		