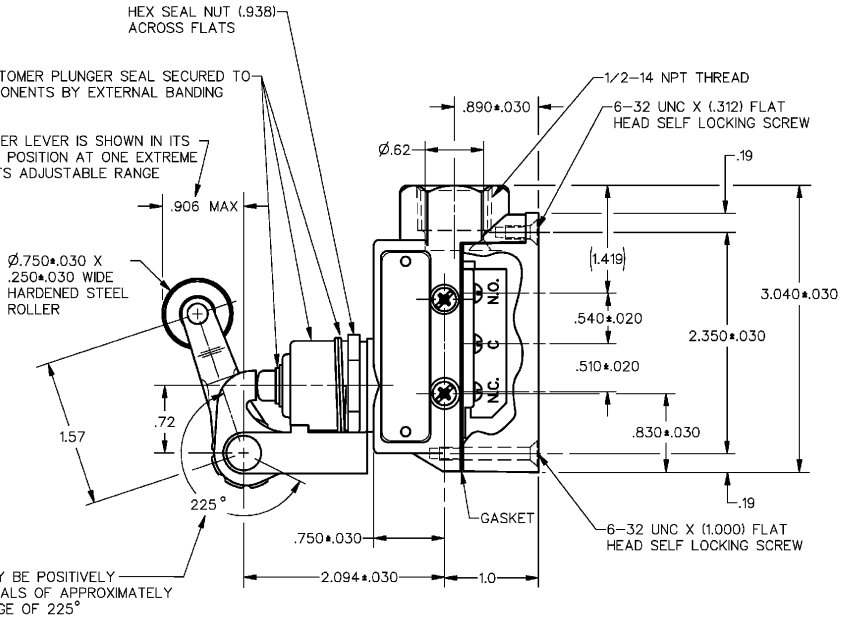
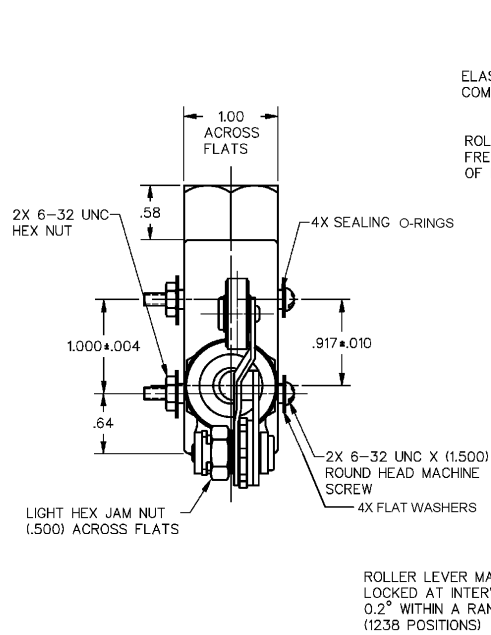


DTE6-2RN2
 CATALOG LISTING
 PAGE 1 OF 1
 ISSUE 12
 RELEASE NO. SR-7735
 REPLACES
 REVISIONS
 A 12/01/82
 B 02/01/82
 C 02/01/82
 D 02/01/82
 E 02/01/82
 F 02/01/82
 G 02/01/82
 H 02/01/82
 I 02/01/82
 J 02/01/82
 K 02/01/82
 L 02/01/82
 M 02/01/82
 N 02/01/82
 O 02/01/82
 P 02/01/82
 Q 02/01/82
 R 02/01/82
 S 02/01/82
 T 02/01/82
 U 02/01/82
 V 02/01/82
 W 02/01/82
 X 02/01/82
 Y 02/01/82
 Z 02/01/82
 DDMM/CAD
 DRAWN
 SAV
 18 OCT 92
 18 NOV 05
 14 FEB 06
 CHECK
 BP
 BP
 BP

MICRO SWITCH a Honeywell Division <small>FED. MFG. CODE 91225</small>	SWITCH - ENCLOSED	CATALOG LISTING DTE6-2RN2
--	-------------------	------------------------------



ROLLER LEVER MAY BE POSITIVELY LOCKED AT INTERVALS OF APPROXIMATELY 0.2° WITHIN A RANGE OF 225° (1238 POSITIONS)

- NOTES**
- 1 - 6X 4-40 UNC X (.125) TERMINAL SCREW AND LOCKWASHER
 - 2 - ROLLER LEVER BRACKET ASSEMBLY MAY BE SET AT ANY POSITION AROUND AXIS OF PLUNGER
 - 3 - SEAL RATING: NEMA 1,3
IP 54

THIS DRAWING COVERS A PROPRIETARY ITEM AND IS THE PROPERTY OF MICRO SWITCH, A DIVISION OF HONEYWELL. THIS DRAWING IS NOT TO BE COPIED OR USED WITHOUT THE APPROVAL OF MICRO SWITCH		THIRD ANGLE PROJECTION
CHARACTERISTICS		SCALE FULL
PRETRAVEL	.266 MAX	DO NOT SCALE PRINT
DIFFERENTIAL TRAVEL	.165 MAX	UNLESS OTHERWISE SPECIFIED TOLERANCES ARE
OVERTRAVEL	.219 MIN	ONE PLACE (.01) ± .030
BASIC SWITCH REPLACEMENT	DT-2R3-A7	TWO PLACE (.00) ± .015
		THREE PLACE (.000) ± .005
		ANGLES ±
ELECTRICAL DATA		WEIGHT .71 LB
CONTACT ARRANGEMENT D P D T		
L59	10A 125 OR 250 VAC 0.3A 125 VDC, 0.15A 250 VDC	

ANSI Y14.5M-1982 APPLIES

