

**MICRO SWITCH**  
a Honeywell Division

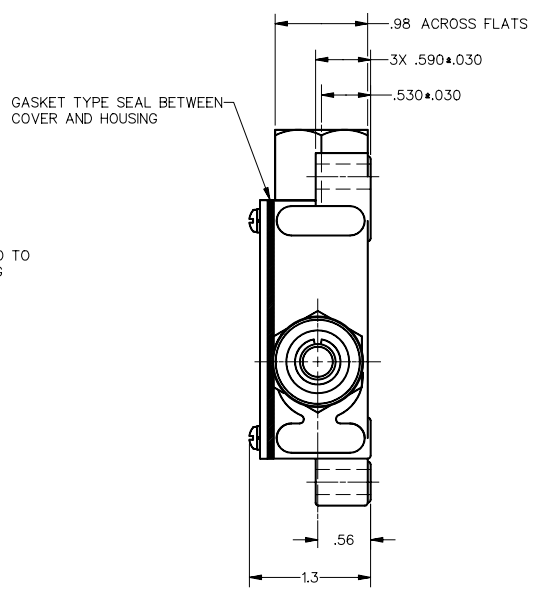
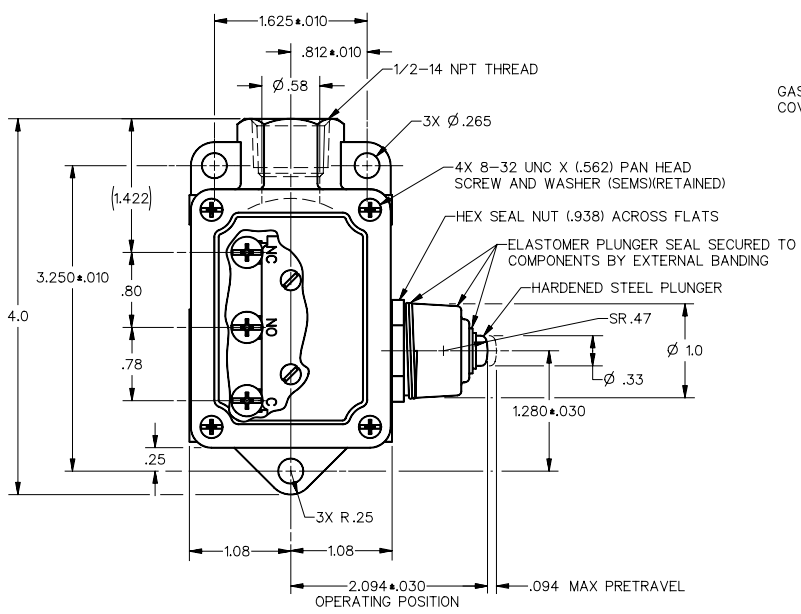
**SWITCH - ENCLOSED**

CATALOG LISTING  
**BAF1-2RN-RH**  
(RIGHT HAND)

CATALOG LISTING  
**BAF1-2RN-RH**  
PAGE 1 OF 1  
ISSUE **M**  
16

REVISIONS  
A 07/31/91  
B 10/04/92  
C 07/30/93  
D 05/05/94  
E 05/05/94  
F 05/05/94  
G 05/05/94  
H 05/05/94  
I 05/05/94  
J 05/05/94  
K 05/05/94  
L 05/05/94  
M 05/05/94  
N 05/05/94  
O 05/05/94  
P 05/05/94  
Q 05/05/94  
R 05/05/94  
S 05/05/94  
T 05/05/94  
U 05/05/94  
V 05/05/94  
W 05/05/94  
X 05/05/94  
Y 05/05/94  
Z 05/05/94

DDM/CAD  
DRAWN  
MAM  
15OCT92  
CHECK  
WLS  
16OCT92  
CHECK



THIS DRAWING COVERS A PROPRIETARY ITEM AND IS THE PROPERTY OF MICRO SWITCH, A DIVISION OF HONEYWELL. THIS DRAWING IS NOT TO BE COPIED OR USED WITHOUT THE APPROVAL OF MICRO SWITCH

THIRD ANGLE PROJECTION	
SCALE FULL	
DO NOT SCALE PRINT	
UNLESS OTHERWISE SPECIFIED TOLERANCES ARE	
ONE PLACE (.0) ± .030	
TWO PLACE (.00) ± .015	
THREE PLACE (.000) ± .005	
ANGLES ±	
WEIGHT .500 LB	

<b>CHARACTERISTICS</b>	<b>ELECTRICAL DATA</b>
OPERATING FORCE --- 2 1/2 LBS MAX	CONTACT ARRANGEMENT
RELEASE FORCE --- 1/2 LB MIN	SPDT
DIFFERENTIAL TRAVEL --- .010 MAX	L23 20A 125, 250 OR 480 VAC
OVERTRAVEL --- .219 MIN	10A 125 VAC "L"
BASIC SWITCH REPLACEMENT --- BA-2R708-P7	1HP 125 VAC, 2HP 250 VAC
	1/2A 125 VDC, 1/4A 250 VDC

NOTE  
1 - 8-32 UNC X (.219) BINDER HEAD TERMINAL SCREWS AND CUPWASHERS

ANSI Y14.5M-1982 APPLIES

