

**MICRO SWITCH**  
a Honeywell Division

**SWITCH - ENCLOSED**

CATALOG LISTING  
**BAF1-2RN-LH**  
(LEFT HAND)

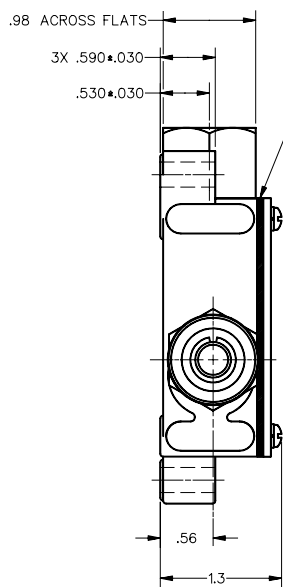
FED. MFG. CODE 91924

CATALOG LISTING  
**M BAF1-2RN-LH**  
PAGE 1 OF 1  
ISSUE 20  
RELEASE NO.

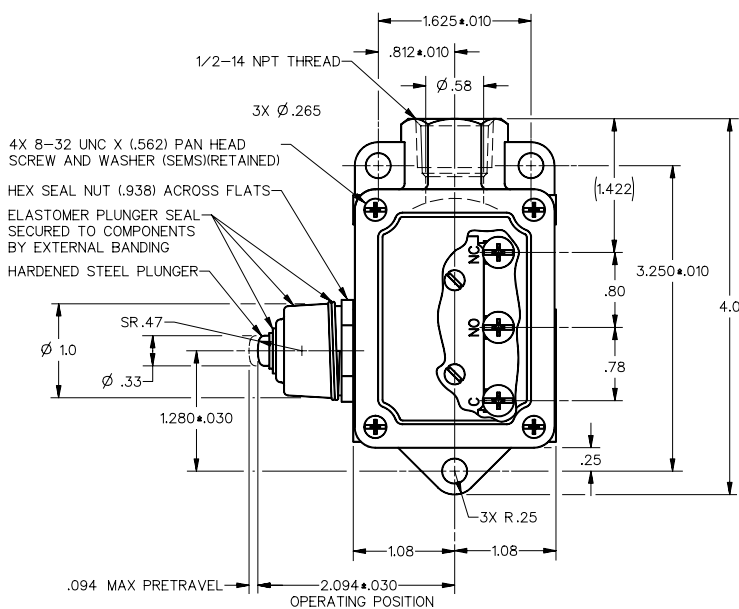
REVISIONS  
A 07/3751  
WAV  
B 10/01/92  
17/00  
C 07/3287M  
A MAY 92

CHECK WLS 23OCT92  
CHECK

DDM/CAD  
DRAWN MAM 16OCT92  
CHECK WLS 23OCT92

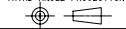


GASKET TYPE SEAL BETWEEN COVER AND HOUSING



THIS DRAWING COVERS A PROPRIETARY ITEM AND IS THE PROPERTY OF MICRO SWITCH, A DIVISION OF HONEYWELL. THIS DRAWING IS NOT TO BE COPIED OR USED WITHOUT THE APPROVAL OF MICRO SWITCH

THIRD ANGLE PROJECTION



SCALE FULL

DO NOT SCALE PRINT

UNLESS OTHERWISE SPECIFIED TOLERANCES ARE

ONE PLACE (.0) ±.030

TWO PLACE (.00) ±.015

THREE PLACE (.000) ±.005

ANGLES ±

WEIGHT .500 LB

CHARACTERISTICS	
OPERATING FORCE	2 1/2 LBS MAX
RELEASE FORCE	1/2 LB MIN
DIFFERENTIAL TRAVEL	.010 MAX
OVERTRAVEL	.219 MIN
BASIC SWITCH REPLACEMENT	BA-2R708-P7

ELECTRICAL DATA	
CONTACT ARRANGEMENT S P D T	
L23	20A 125, 250 OR 480 VAC 10A 125 VAC "L" 1HP 125 VAC, 2HP 250 VAC 1/2A 125 VDC, 1/4A 250 VDC



NOTE

1 - 8-32 UNC X (.219) BINDER HEAD COMBINATION, TERMINAL SCREWS AND CUPWASHERS

ANSI Y14.5M-1982 APPLIES