

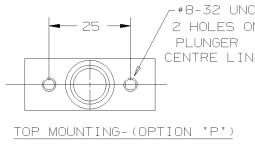
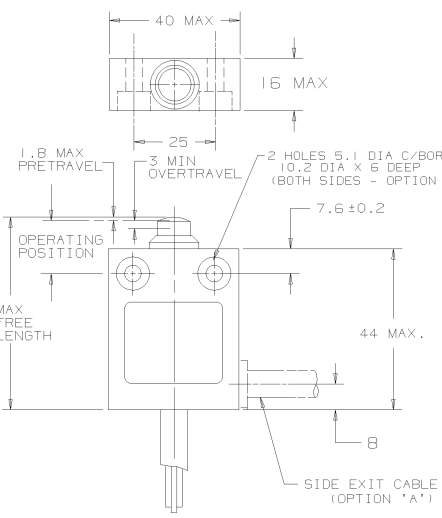
914CE SERIES CHART MTG-CE-10  
 DRAWING NUMBER  
 ISSUE NUMBER  
 RELEASE NUMBER  
 REVISIONS  
 DATE  
 BY  
 CHECKED  
 DRAWN  
 PC TO TT-B7

**Honeywell**

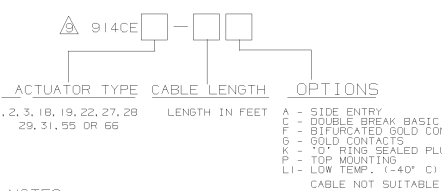
SMALL PRECISION  
LIMIT SWITCH

CATALOGUE LISTING  
**914CE SERIES**  
CHART MTG-CE-10

SWITCH TYPE	ISSUE NUMBER	RELEASE NUMBER	OPTIONS	DIFF. TRAVEL (MAX.)		OPERATING FORCE (MAX)		RELEASE FORCE (MIN)		OPERATING POSITION	MAX FREE LENGTH
				NEWTONS	GMF	NEWTONS	GMF				
914CE1	5	MEC87/118	NONE, A, F, G, P, L1, V C.	0.1 0.5		11.8	1200	4.4	450	15.7+1.0	54
914CE2	5	MEC87/118	NONE, A, F, G, P, L1, V C.	0.1 0.5		11.8	1200	4.4	450	28.5+1.0	67
914CE3			K.	0.1		22.5	2300				
914CE18	5	MEC87/118	NONE, A, F, G, P, L1, V C.	0.1 0.5		22.5	2300	4.4	450	24.9+1.0	63
914CE19	6	MEC87/118	NONE, A, F, G, P, L1, V C.	0.1 0.5		17.5	1800	4.4	450	ADJUSTABLE 32 TO 39	77.4
914CE22	6	MEC87/118	NONE, A, F, G, P, L1, V C.	0.1 0.5		11.8	1200	3	300	27.4 MAX	64.1
914CE27	5	MEC87/118	NONE, A, F, G, P, L1, V C.	0.1 0.5		11.8	1200	4.4	450	29.3+1.0	67.2
914CE28	5	MEC87/118	NONE, A, F, G, P, L1, V C.	0.1 0.5		11.8	1200	4.4	450	42.5+1.0	81
914CE29											
914CE31	3	MS-11125	NONE, A, F, G, P, L1, V C.	0.1 0.5		22.5	2300	4.4	450	34.4+1.0	73
914CE55											
914CE66	2	MEC87/118	NONE, A, F, G, P, L1, V C.	0.1 0.5		11.8	1200	4.4	450	24.4+1.0	63



CATALOGUE LISTING CONVENTION  
OPTIONS CAN BE COMBINED WITHIN LOGICAL LIMITS (EG 914CE2-3AK)

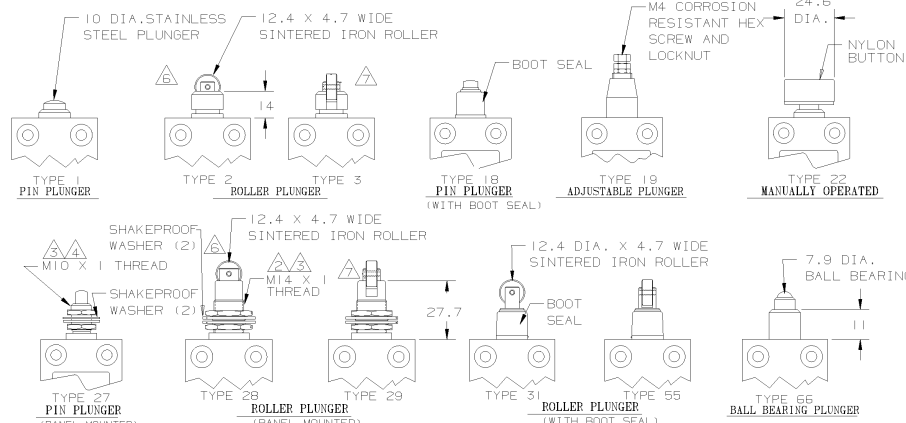


- NOTES:-
- 1 : DIE CAST HOUSING FINISHED IN GREY PAINT
  - 2 : SWITCH MOUNTS THROUGH A 14.5 DIA HOLE
  - 3 : MAXIMUM PANEL THICKNESS = 4, 2
  - 4 : SWITCH MOUNTS THROUGH 10.5 DIA HOLE
  - 5 : TEMPERATURE RANGE : 0° C TO +70° C (STANDARD)
  - 6 : ROLLER PARALLEL WITHIN 3° TO MOUNTING FACE
  - 7 : ROLLER PERPENDICULAR WITHIN 3° TO MOUNTING FACE
  - 8 : LOW TEMP. RANGE : -40° C TO +70° C.
  - 9 : ALL LOGICAL LISTINGS ARE IEC 947-5-1 APPROVED EXCEPT: OPTIONS C, F, 6.

THE COPYRIGHT OF THIS DRAWING IS THE PROPERTY OF HONEYWELL LTD. THE DRAWING IS SUPPLIED IN CONFIDENCE AND MUST NOT BE USED FOR ANY PURPOSE OTHER THAN THAT FOR WHICH IT IS SUPPLIED.

THIRD ANGLE PROJECTION

PLOT SCALE 1/1



BASIC SWITCH	ELECTRICAL RATINGS	CIRCUIT DIAGRAM	CABLE	
STANDARD SILVER CONTACTS	SA - 250VAC 1/10HP - 125/250VAC LR15775	IEC 947-5-1 EN50947-5-1 AC14 D300 DC13 R300	RED BLACK GREEN WHITE	4 x 18 A.W.G. SJT0 (UL/CSA APPROVED)
BIFURCATED GOLD - OPTION 'F' OR GOLD CONTACTS - OPTION 'G'	IAW25 LR15775	RED BLACK WHITE	5 CORE P.V.C. SHEATHED (UL LISTED)	
DOUBLE BREAK SILVER CONTACTS OPTION - 'C'	SA - 250VAC 1/10HP - 125/250VAC LR15775	RED BLACK WHITE GREEN BROWN		