

MICRO SWITCH

A DIVISION OF MINNEAPOLIS-HONEYWELL REGULATOR COMPANY
 PRINCETON, ILLINOIS
 FED. MFR. CODE 91929

SWITCH - BASIC

CATALOG LISTING

MT-4RV22-A28

(M)MT-4RV22-A28
 ISSUE 3

CATALOG LISTING
MT-4RV22-A28
 PAGE 1 OF 1
 RELEASE NO.

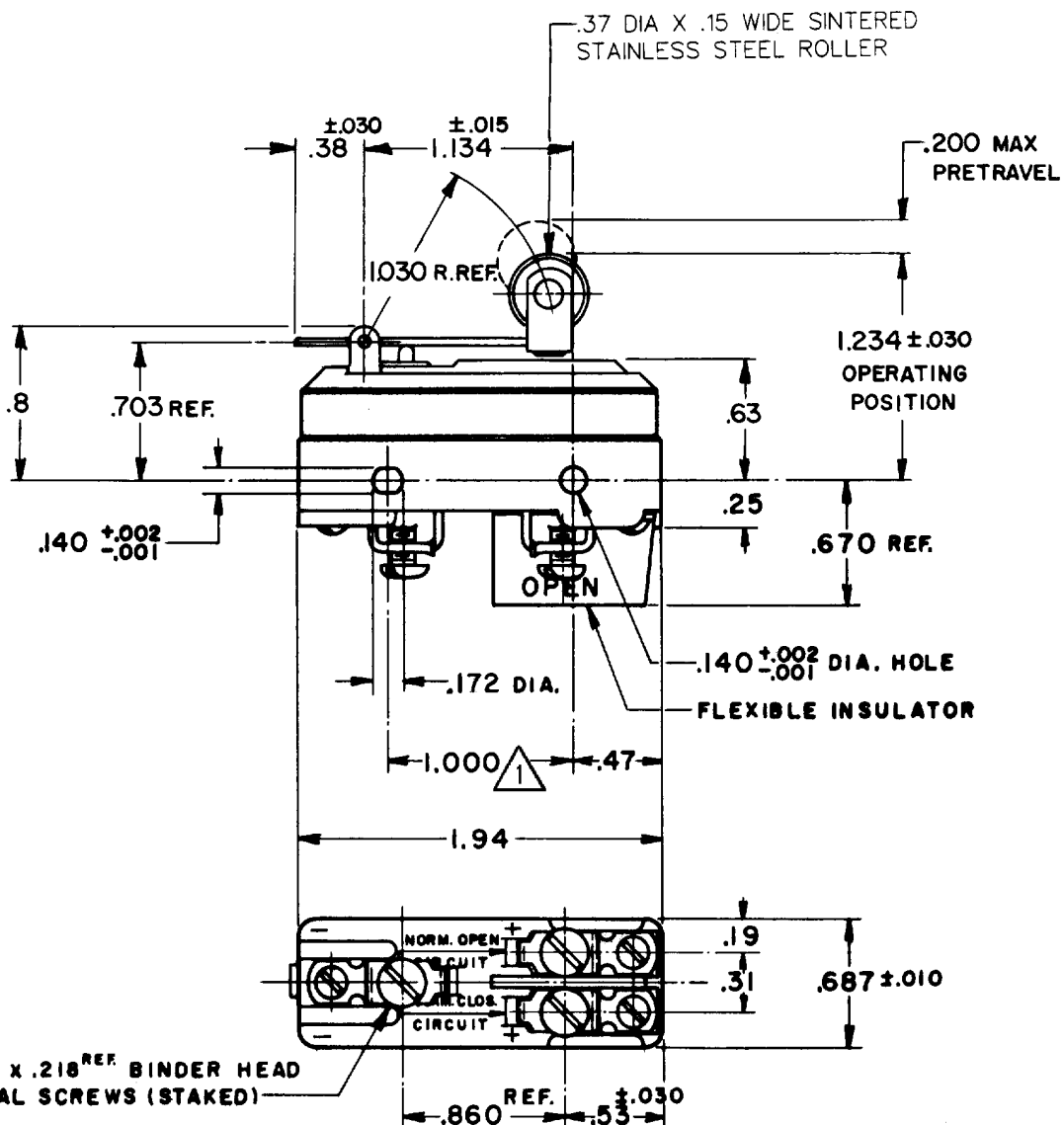
M
 DRAWING NUMBER
11
 ISSUE

REVISIONS

A	C.O. 9799	C.M.A. 11 AUG 55
B	C.O. 11613	N.H.L. 1 AUG '57
C	CO12369	K.L.B. 11 DEC 57
D	CO13960	M.B.F. 23 OCT 59
E	CO35255	D.B.W. 12 MAY 75
F	CO46819	W.J.M. 25 NOV 79
G	CO-75204-B	S.A.V. 1 FEB 94
H	CO-95987	C.S.L. 22 FEB 00

CHECK *Re U. 19 Aug 55*
 CHECK *Re U. 19 Aug 55*
 CHECK *Re U. 19 Aug 55*

FORMTEK
 DRAWN
 C.M.A. 11 AUG. 55



NOTES

- MOUNTING HOLES WILL ACCEPT PINS OR SCREWS OF .139 MAX. DIA. ON 1.000 ± .002 CENTERS.
- FOR BEST RESULTS EITHER POLARIZE THE SWITCH WITH COMMON TERMINAL BEING OF NEGATIVE POLARITY OF MOUNT THE SWITCH WITH BRASS SCREWS AND SPACE AT LEAST .250 MAGNETIC MATERIALS.

THIS DRAWING COVERS A PROPRIETARY ITEM AND IS THE PROPERTY OF MICRO SWITCH, A DIVISION OF HONEYWELL. THIS DRAWING IS NOT TO BE COPIED OR USED WITHOUT THE APPROVAL OF MICRO SWITCH.

CHARACTERISTICS

OPERATING FORCE ----- 4 1/2 OZ. MAX.
 RELEASE FORCE ----- 1 OZ. MIN.
 DIFFERENTIAL TRAVEL ----- .035 MAX.
 OVERTRAVEL ----- .015 MIN.

ELECTRICAL DATA

CONTACT ARRANGEMENT S. P. D. T.			
NON-POLARIZED	VOLTS D-C 125 250	MOTOR 1/4 HP + —	RESISTIVE 10 AMPS 1.5 TO 3.0*
POLARIZED OR NON-MAGNETICALLY MOUNTED	VOLTS D-C 125 250	MOTOR 1/2 HP + —	RESISTIVE 10 AMPS 1.5 TO 3.0*
* NOT SUITABLE FOR USE AT LESS THAN 1.5 AMPS + WILL NOT BREAK LOCKED ROTOR CURRENT			

SCALE FULL

DO NOT SCALE PRINT

UNLESS OTHERWISE SPECIFIED DIMENSIONS ARE IN INCHES

TOLERANCES ARE:

ONE PLACE (.0)	±.030
TWO PLACE (.00)	±.015
THREE PLACE (.000)	±.008
ANGLES	±

WEIGHT

UND. LAB. INC. LISTED RATING (NON-POLARIZED)
 -125 - 10 A - 125 VDC OR AC; 1/4 HP - 125 VDC OR AC

