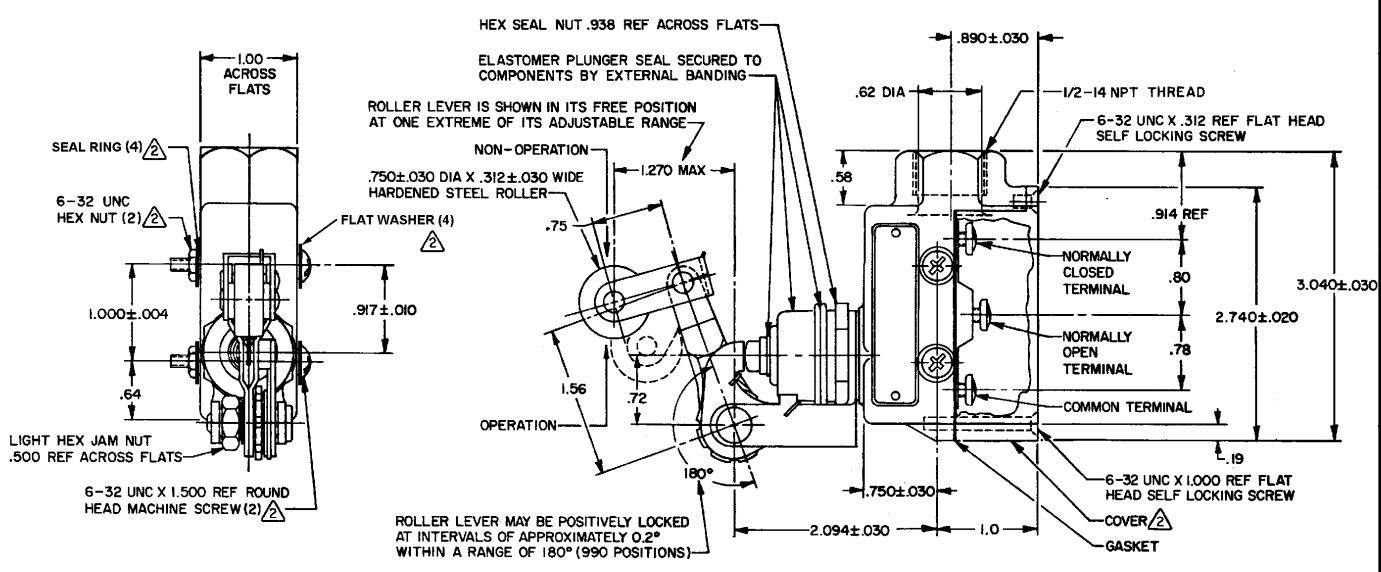


MICRO SWITCH
 FREEPORT, ILLINOIS, U.S.A.
 A DIVISION OF HONEYWELL
 FED. MFG. CODE 9188

SWITCH-ENCLOSED

CATALOG LISTING
BZE6-2RN28

BZE6-2RN28
 DRAWING NUMBER
 ISSUE 11
 REVISIONS
 A 05-82-05
 B 03-83-19-17
 C 02-85-98-09
 D 03-89-54-26
 E 07-91-48-88
 F 07-92-74-76
 G 01-97-05-77
 H 01-97-05-77
 I 01-97-05-77
 J 01-97-05-77
 K 01-97-05-77
 L 01-97-05-77
 M 01-97-05-77
 N 01-97-05-77
 O 01-97-05-77
 P 01-97-05-77
 Q 01-97-05-77
 R 01-97-05-77
 S 01-97-05-77
 T 01-97-05-77
 U 01-97-05-77
 V 01-97-05-77
 W 01-97-05-77
 X 01-97-05-77
 Y 01-97-05-77
 Z 01-97-05-77
 DRAWN
 S L B 26 AUG 77
 CHECKED
 K P X 31
 APPROVED
 J C C
 DATE
 17 FEB 94
 0017057
 VOR
 22NOV05
 RELEASE NO.
 22NOV05
 BP
 22NOV05
 REPLACES



- NOTES-
- 1 - 6-32 UNC X .219 REF BINDING HEAD TERMINAL SCREW AND CUPWASHER (3) FURNISHED UNASSEMBLED
 - 2 - ROLLER LEVER BRACKET ASSEMBLY MAY BE SET AT ANY POSITION AROUND AXIS OF PLUNGER
 - 4 - SEAL RATING: NEMA 1,3 IP54

| | | |
|---|-------------------------------------|--------------------------|
| THIS DRAWING COVERS A PROPRIETARY ITEM AND IS THE PROPERTY OF MICRO SWITCH, A DIVISION OF HONEYWELL. THIS DRAWING IS NOT TO BE COPIED OR USED WITHOUT THE APPROVAL OF MICRO SWITCH. | | |
| CHARACTERISTICS | ELECTRICAL DATA | SCALE FULL |
| OPERATING FORCE-----8-20 OZ | CONTACT ARRANGEMENT SPDT | DO NOT SCALE PRINT |
| RELEASE FORCE-----6 OZ MIN | 15A-125, 250 OR 480 VAC, 2A-600 VAC | UNLESS OTHERWISE NOTED |
| PRETRAVEL-----.234 MAX | 1/8 HP-125 VAC; 1/4 HP-250 VAC | DIMENSIONS ARE IN INCHES |
| DIFFERENTIAL TRAVEL-----.006 MAX | 1/2A-125 VDC; 1/4A-250 VDC | TOLERANCES ARE: |
| OVERTRAVEL-----.219 MIN | CODE L74 | ONE PLACE (.0) ±.030 |
| BASIC SWITCH REPLACEMENT---BZ-2RN702 | CE 1.5A, 240 Vac | TWO PLACE (.00) ±.015 |
| | | THREE PLACE (.000) ±.005 |
| | | ANGLE ±.005 |
| | | WEIGHT .71 LB |