

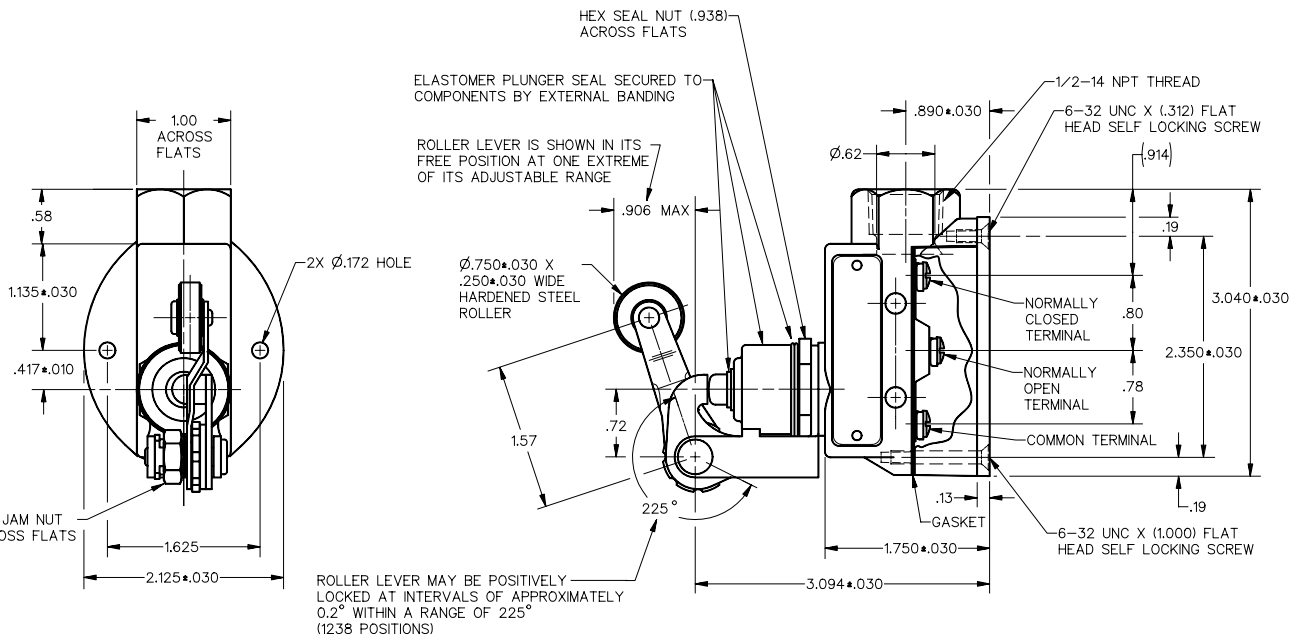
CATALOG LISTING
BZV6-2RN2
ISSUE 11
PAGE 1 OF 1
RELEASE NO. SR-7227
REPLACES

MICRO SWITCH
a Honeywell Division

SWITCH - ENCLOSED

CATALOG LISTING
BZV6-2RN2

FED. MFG. CODE 91924



NOTE
1 - ROLLER LEVER BRACKET ASSEMBLY MAY BE SET AT ANY POSITION AROUND AXIS OF PLUNGER
2 - 3X 6-32 UNC X (.219) BINDING HEAD TERMINAL SCREW AND CUPWASHER

THIS DRAWING COVERS A PROPRIETARY ITEM AND IS THE PROPERTY OF MICRO SWITCH, A DIVISION OF HONEYWELL. THIS DRAWING IS NOT TO BE COPIED OR USED WITHOUT THE APPROVAL OF MICRO SWITCH

THIRD ANGLE PROJECTION

CHARACTERISTICS	
OPERATING FORCE	10-20 OZ
RELEASE FORCE	6 OZ MIN
PRETRAVEL	.188 MAX
DIFFERENTIAL TRAVEL	.006 MAX
OVERTRAVEL	.219 MIN
BASIC SWITCH REPLACEMENT	BZ-2RN702

ELECTRICAL DATA	
CONTACT ARRANGEMENT S P D T	
L74	15A 125, 250 OR 480 VAC 2A 600 VAC 1/8HP 125 VAC, 1/4HP 250 VAC 1/2A 125 VDC, 1/4A 250 VDC

SCALE	FULL
DO NOT SCALE PRINT	
UNLESS OTHERWISE SPECIFIED TOLERANCES ARE	
ONE PLACE	(.0) ±.030
TWO PLACE	(.00) ±.015
THREE PLACE	(.000) ±.005
ANGLES	±
WEIGHT	.76 LB

ANSI Y14.5M-1982 APPLIES