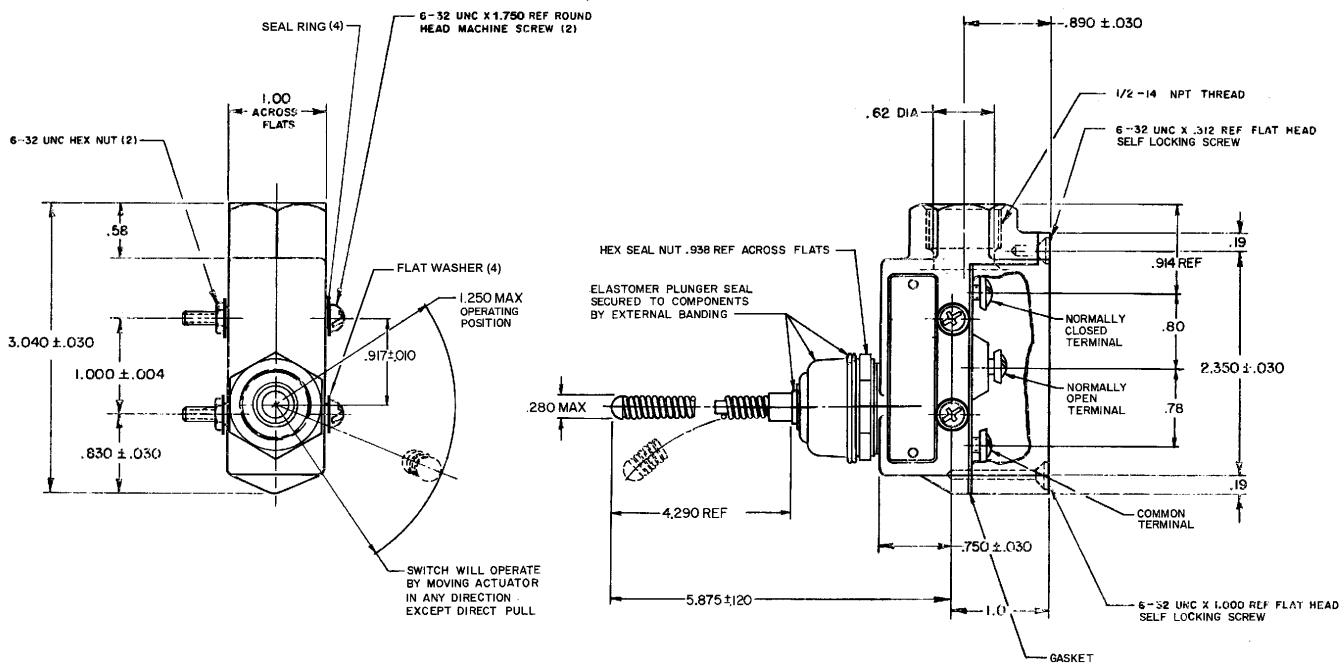


MICRO SWITCH
A DIVISION OF MINNEAPOLIS POWER REGULATOR COMPANY
REGINA, MINN.

SWITCH - ENCLOSED

CATALOG LISTING
BZE6-2RN18

BZE6-2RN18
 DRAWING NUMBER
 ISSUE 114
 CHECK PSR 28AUG07
 CHECK DMI 23AUG06
 CHECK VJ 21AUG 71
 CHECK 15
 RASTER
 G.E.M. 13 AUG 71
 22 NOV 85



SWITCH WILL OPERATE BY MOVING ACTUATOR IN ANY DIRECTION EXCEPT DIRECT PULL

NOTE -
 1 - 6-32 UNC X .219 REF TERMINAL SCREW AND CUPWASHER (3)
 2 - SEAL RATING: NEMA 1,3,4
 IP66

THIS DRAWING COVERS A PROPRIETARY ITEM AND IS THE PROPERTY OF MICRO SWITCH, A DIVISION OF MINNEAPOLIS HONEYWELL REGULATOR CO. THE DRAWING IS NOT TO BE COPIED OR USED WITHOUT THE APPROVAL OF MICRO SWITCH.

CHARACTERISTICS	ELECTRICAL DATA	SCALE FULL
OPERATING FORCE ----- 7 OZ MAX	CONTACT ARRANGEMENT S P D T	DO NOT SCALE PRINT
OPERATING POSITION ----- 15° MAX	15A 125, 250 OR 480 VAC; 2A 600 VAC -L74- 1/8HP 125 VAC, 1/4HP 250 VAC 1/2A 125 VDC, 1/4A 250 VDC	UNLESS OTHERWISE SPECIFIED
SWITCH BASIC REPLACEMENT ----- BZ-2R-A2		CE 1.5A, 240 Vac
		WEIGHT