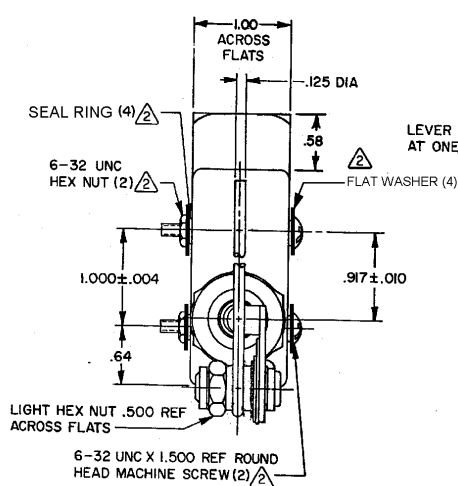


**MICRO SWITCH**  
 FREEPORT, ILLINOIS, U.S.A.  
 A DIVISION OF HONEYWELL  
 FED. MFG. CODE 9193

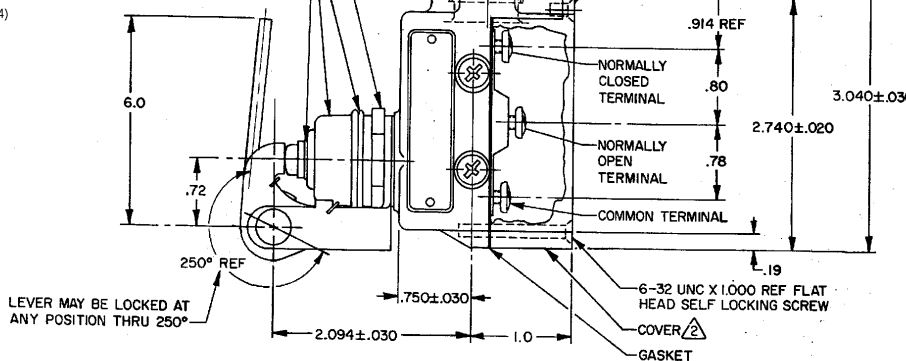
**SWITCH - ENCLOSED**

CATALOG LISTING  
**BZE6-2RN62**

DRAWING NUMBER: **BZE6-2RN62**  
 ISSUE: 11  
 DATE: 22 NOV 05  
 REVISIONS:  
 A 60 38200-1  
 B 25 AUG 77  
 C 0052969  
 D 0054956  
 E 072476  
 F 17778A  
 G 007889  
 H 001957  
 I 002005  
 CHECKED: K P K  
 DATE: 25 AUG 77  
 DRAWN: F D 2851-A  
 DATE: 25 AUG 77



HEX SEAL NUT .938 REF ACROSS FLATS  
 ELASTOMER PLUNGER SEAL SECURED TO COMPONENTS BY EXTERNAL BANDING  
 LEVER IS SHOWN IN ITS FREE POSITION AT ONE EXTREME OF ITS ADJUSTABLE RANGE-



- NOTES -
- 1 - 6-32 UNC X .219 REF BINDING HEAD TERMINAL SCREW AND CUPWASHER (3) FURNISHED UNASSEMBLED
  - 2 - LEVER BRACKET ASSEMBLY MAY BE SET AT ANY POSITION AROUND AXIS OF PLUNGER
  - 3 - LEVER BRACKET ASSEMBLY MAY BE SET AT ANY POSITION AROUND AXIS OF PLUNGER
  - 4 - SEAL RATING: NEMA1,3  
IP54

THIS DRAWING COVERS A PROPRIETARY ITEM AND IS THE PROPERTY OF MICRO SWITCH, A DIVISION OF HONEYWELL. THIS DRAWING IS NOT TO BE COPIED OR USED WITHOUT THE APPROVAL OF MICRO SWITCH.

CHARACTERISTICS	ELECTRICAL DATA	SCALE FULL
OPERATING FORCE — 3-7 OZ	CONTACT ARRANGEMENT S P D T	DO NOT SCALE PRINT
RELEASE FORCE — 1 OZ MIN	15A-125, 250 OR 480 VAC, 2A-600 VAC	UNLESS OTHERWISE NOTED
PRETRAVEL — .718 MAX	1/8 HP-125 VAC; 1/4 HP-250 VAC	DIMENSIONS ARE IN INCHES
DIFFERENTIAL TRAVEL — .229 MAX	1/2A-125 VDC; 1/4A-250 VDC	<b>TOLERANCES ARE:</b>
OVERTRAVEL — .838 MIN	CODE L74	ONE PLACE (.01) ±.030
BASIC SWITCH REPLACEMENT — BZ-2RN702	CE 1.5A, 240Vac	TWO PLACE (.001) ±.018
		THREE PLACE (.000) ±.008
		ANGLES ±
		WEIGHT .71 LB