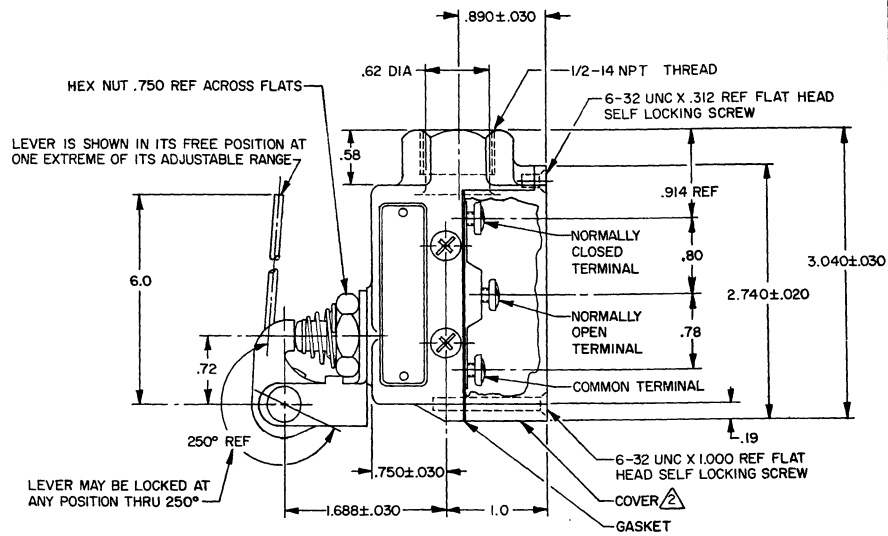
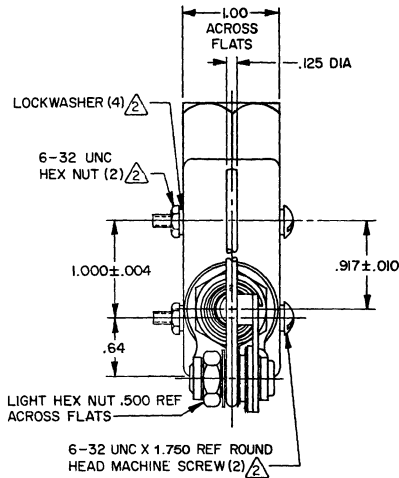


MICRO SWITCH
 FREEPORT, ILLINOIS, U.S.A.
 A DIVISION OF HONEYWELL
 FED. MFG. CODE 918P

SWITCH-ENCLOSED

CATALOG LISTING
BZE6-2RQ62

M BZE6-2RQ62
 DRAWING NUMBER
 ISSUE 148
 PSR 29AUG07
 REVISIONS
 A 1 GO 38200 8
 B 24 AUG 77
 C 0055984 G
 D 2 MAY 84
 E 0055989 J
 F 0077889
 G 20 SEP 84
 H 0053074
 I 29AUG07
 RASTER
 032351-A
 DRAWN
 T.M.M. 25 AUG 77
 CHECK
 K.P.K. 31 AUG 77
 APPROVE
 R.O.B. 27
 T.S.K. 26 FEB 85
 J.S. 072618
 11 SEP 82
 0077889
 KEU
 0018894
 KR8
 10 NOV 85
 0053074
 29AUG07



NOTES -

- 1 - 6-32 UNC X .219 REF BINDING HEAD TERMINAL SCREW AND CUPWASHER (3)
- 2 - FURNISHED UNASSEMBLED
- 3 - LEVER BRACKET ASSEMBLY MAY BE SET AT ANY ONE OF EIGHT POSITIONS SPACED 45° APART
- 4 - SEAL RATING: NEMA1 IP40

THIS DRAWING COVERS A PROPRIETARY ITEM AND IS THE PROPERTY OF MICRO SWITCH, A DIVISION OF HONEYWELL. THIS DRAWING IS NOT TO BE COPIED OR USED WITHOUT THE APPROVAL OF MICRO SWITCH.

CHARACTERISTICS	ELECTRICAL DATA	SCALE FULL
OPERATING FORCE — 2-5 OZ	CONTACT ARRANGEMENT S P D T	DO NOT SCALE PRINT
RELEASE FORCE — 2 OZ MIN	15A-125, 250 OR 480 VAC, 2A-600 VAC	UNLESS OTHERWISE NOTED
PRETRAVEL — .718 MAX	1/8 HP-125 VAC; 1/4 HP-250 VAC	DIMENSIONS ARE IN INCHES
DIFFERENTIAL TRAVEL — .229 MAX	1/2A-125 VDC; 1/4A-250 VDC	TOLERANCES ARE:
OVERTRAVEL — .838 MIN	CODE L74	ONE PLACE (.01) .030
BASIC SWITCH REPLACEMENT — BZ-2RQ68	1.5A, 240 Vac	TWO PLACE (.001) .018
		THREE PLACE (.000) .008
		ANGLES .005
		WEIGHT .70 LB