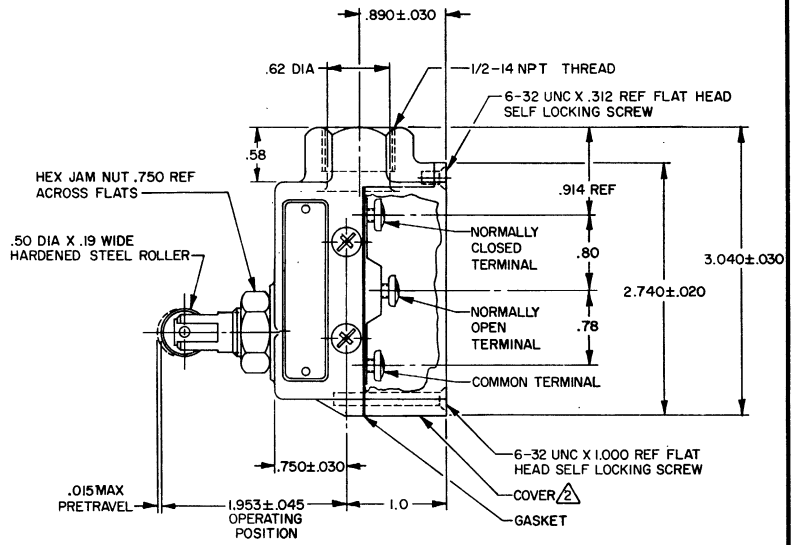
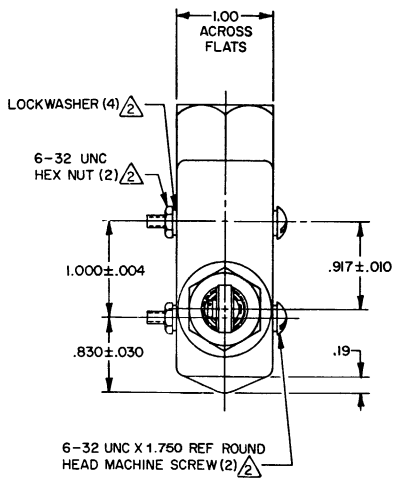


**MICRO SWITCH**  
 FREEPORT, ILLINOIS U.S.A.  
 A DIVISION OF HONEYWELL  
 FED. MFG. CODE 91328

**SWITCH-ENCLOSED**

CATALOG LISTING  
**BZE6-2RQ9**

ISSUE 10/8 DRAWING NUMBER M BZE6-2RQ9 RELEASE NO. 28AUG07  
 REVISIONS  
 A 3/8/80 B 3/8/80 C 05/59 D 05/59 E 07/26 F 0016884 G 0033014  
 H 08/77 I 11/82 J 01/84 K 12/56 L 05/85 M 10/85 N 05/85 O 03/86 P 03/86 Q 03/86 R 03/86 S 03/86 T 03/86  
 DRAWN T.M.M. B SEPT 77 CHECK K.P.K. 12 SEP 77  
 RASTER FD-2055-1-A



**NOTES-**

- 1 - 6-32 UNC X .219 REF BINDING HEAD TERMINAL SCREW AND CUPWASHER (3) FURNISHED UNASSEMBLED
- 3 - SEAL RATING: NEMA 1 IP40

THIS DRAWING COVERS A PROPRIETARY ITEM AND IS THE PROPERTY OF MICRO SWITCH, A DIVISION OF HONEYWELL. THIS DRAWING IS NOT TO BE COPIED OR USED WITHOUT THE APPROVAL OF MICRO SWITCH.

CHARACTERISTICS	ELECTRICAL DATA	SCALE FULL
OPERATING FORCE — 9-13 OZ	CONTACT ARRANGEMENT <b>S P D T</b>	DO NOT SCALE PRINT
RELEASE FORCE — 4 OZ MIN	15A-125, 250 OR 480 VAC, 2A-600 VAC 1/8 HP-125 VAC; 1/4 HP-250 VAC 1/2A-125 VDC; 1/4A-250 VDC CODE L74	UNLESS OTHERWISE NOTED DIMENSIONS ARE IN INCHES
DIFFERENTIAL TRAVEL — .002 MAX	  1.5A, 240 Vac	<b>TOLERANCES ARE:</b> ONE PLACE ( .01 ) ± .030 TWO PLACE ( .00 ) ± .015 THREE PLACE ( .000 ) ± .008 ANGLES
OVERTRAVEL — .140 MIN		
BASIC SWITCH REPLACEMENT — BZ-2RQ69		