

MICRO SWITCH
 FREEPORT, ILLINOIS, U.S.A.
 A DIVISION OF HONEYWELL
 FED. MFG. CODE 91829

SWITCH - ENCLOSED

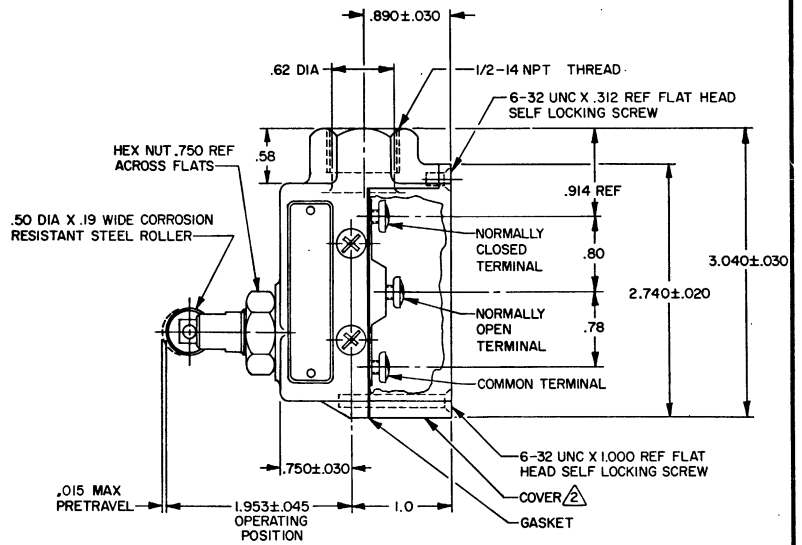
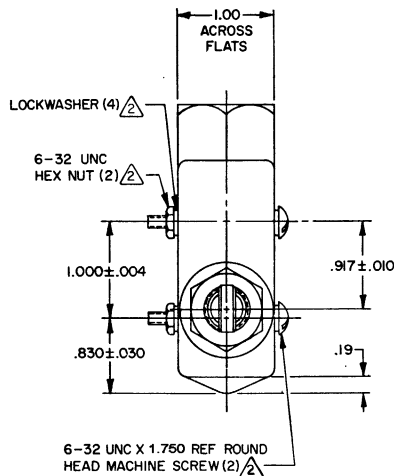
CATALOG LISTING
BZE6-2RQ8

BZE6-2RQ8

DRAWING NUMBER
 ISSUE 11
 PSR 29AUG07

REVISIONS
 A 30 AUG 77
 B 005391F YSK
 C 0059989
 D 0054938
 E 0072418
 F 0016894
 G 0033014

RASTER
 DRAWN
 S L B 30 AUG 77



NOTES -

- 1 - 6-32 UNC X .219 REF BINDING HEAD TERMINAL SCREW AND CUPWASHER (3)
- 2 - FURNISHED UNASSEMBLED
- 3 - SEAL RATING: NEMA1 IP40

THIS DRAWING COVERS A PROPRIETARY ITEM AND IS THE PROPERTY OF MICRO SWITCH, A DIVISION OF HONEYWELL. THIS DRAWING IS NOT TO BE COPIED OR USED WITHOUT THE APPROVAL OF MICRO SWITCH.

| CHARACTERISTICS | ELECTRICAL DATA | SCALE FULL |
|--|---|--|
| OPERATING FORCE ----- 9-13 OZ | CONTACT ARRANGEMENT S P D T | DO NOT SCALE PRINT |
| RELEASE FORCE ----- 4 OZ MIN | 15A-125, 250 OR 480 VAC, 2A-600 VAC 1/8 HP-125 VAC; 1/4 HP-250 VAC 1/2A-125 VDC; 1/4A-250 VDC CODE L74 | UNLESS OTHERWISE NOTED DIMENSIONS ARE IN INCHES |
| DIFFERENTIAL TRAVEL ----- .002 MAX | CE 1.5A, 240 Vac | TOLERANCES ARE: |
| OVERTRAVEL ----- .140 MIN | | ONE PLACE (1.0) ± .030 |
| BASIC SWITCH REPLACEMENT ----- BZ-2RQ784 | | TWO PLACE (1.00) ± .015 |
| | | THREE PLACE (1.000) ± .008 |
| | | ANGLES |
| | | WEIGHT .56 LB |