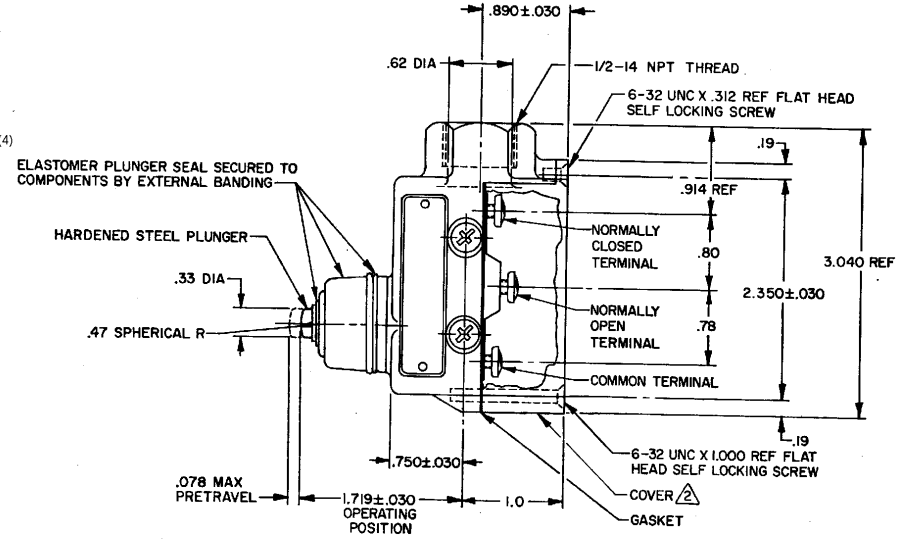
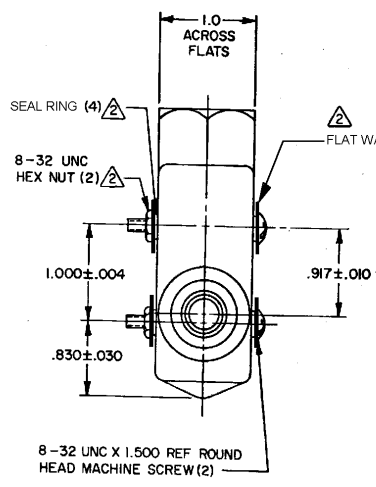


MICRO SWITCH
 FREEPORT, ILLINOIS, U.S.A.
 A DIVISION OF HONEYWELL
 FED. MFG. CODE 9188

SWITCH-ENCLOSED

CATALOG LISTING
BZE6-2RN7

M BZE6-2RN7
 DRAWING NUMBER
 ISSUE 12
 22 NOV 05
 REVISIONS
 A NEW DES CD18203
 B CD38820
 C 60 3004
 D 3591
 E CD5988
 F 4 DV 84
 G 5498-4
 H 12794
 I 17 FEB 85
 J 0017057
 K SW B AUG 77 CHECK
 FOR 285-A DRAWN
 K SW B AUG 77 CHECK



- NOTES-
- 1 - 6-32 UNC X .219 REF BINDING HEAD TERMINAL SCREW AND CUPWASHER (3) FURNISHED UNASSEMBLED
 - 3 - SEAL RATING: NEMA1,3 IP54

THIS DRAWING COVERS A PROPRIETARY ITEM AND IS THE PROPERTY OF MICRO SWITCH, A DIVISION OF HONEYWELL. THIS DRAWING IS NOT TO BE COPIED OR USED WITHOUT THE APPROVAL OF MICRO SWITCH.		SCALE FULL
CHARACTERISTICS	ELECTRICAL DATA	DO NOT SCALE PRINT UNLESS OTHERWISE NOTED DIMENSIONS ARE IN INCHES
OPERATING FORCE ----- 9-24 OZ	CONTACT ARRANGEMENT S P D T	TOLERANCES ARE: ONE PLACE (.0) ±.000 TWO PLACE (.00) ±.010 THREE PLACE (.000) ±.005 ANGLES ±
RELEASE FORCE ----- 4 OZ MIN	15A - 125, 250 OR 480 VAC; 2A - 600 VAC 1/8HP - 125 VAC; 1/4HP - 250 VAC CODE L74 1/2A - 125 VDC; 1/4A - 250 VDC	WEIGHT .56 LB
DIFFERENTIAL TRAVEL ----- .002 MAX	CE 1.5A, 240Vac	
OVERTRAVEL ----- .219 MIN		
BASIC SWITCH REPLACEMENT --- BZ-2RN730		