

MICRO SWITCH
 FREEPORT, ILLINOIS, U.S.A.
 A DIVISION OF HONEYWELL
 FED. MFG. CODE 91920

SWITCH-ENCLOSED

CATALOG LISTING
BME6-2RQ

BME6-2RQ

M

DRAWING NUMBER

ISSUE

DATE

BY

REVISIONS

REV. NO.

DATE

BY

DATE

BY

DATE

BY

DATE

BY

DATE

BY

DATE

BY

DATE

BY

DATE

BY

DATE

BY

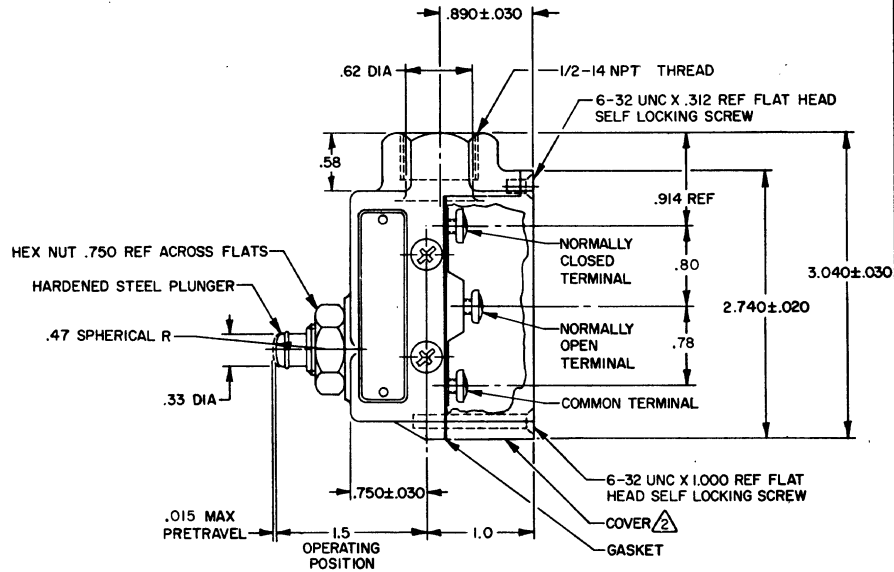
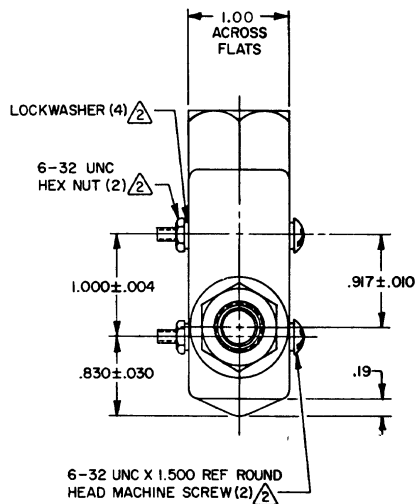
DATE

BY

DATE

BY

DATE



NOTES-

- 1 - 6-32 UNC X .219 REF BINDING HEAD TERMINAL SCREW AND CUPWASHER (3) FURNISHED UNASSEMBLED
- 3 - SEAL RATING: NEMA1 IP40

THIS DRAWING COVERS A PROPRIETARY ITEM AND IS THE PROPERTY OF MICRO SWITCH, A DIVISION OF HONEYWELL. THIS DRAWING IS NOT TO BE COPIED OR USED WITHOUT THE APPROVAL OF MICRO SWITCH.

CHARACTERISTICS	ELECTRICAL DATA	SCALE
OPERATING FORCE ----- 9-13 OZ	CONTACT ARRANGEMENT S P D T	FULL
RELEASE FORCE ----- 4 OZ MIN	CODE L 101 22A-125, 250 OR 480 VAC 1/4HP-125 VAC; 1/2HP-250 VAC 1/2A-125 VDC; 1/4A-250 VDC	DO NOT SCALE PRINT UNLESS OTHERWISE NOTED DIMENSIONS ARE IN INCHES
DIFFERENTIAL TRAVEL ----- .002 MAX		TOLERANCES ARE:
OVERTRAVEL ----- .219 MIN		ONE PLACE (.01) .005 TWO PLACE (.001) .015 THREE PLACE (.0001) .0005 ANGLES .0005
BASIC SWITCH REPLACEMENT ----- BM-2RQ66	WEIGHT .53 LB	