



MICRO SWITCH

FREEPORT, ILLINOIS, U.S.A.
A DIVISION OF HONEYWELL

FED. MFG. CODE 91929

SWITCH-BASIC

CATALOG LISTING
DT-2R-A7

MS 25008-1

L 0061634
T SK
17 JUL 87

DT-2R-A7

DRAWING NUMBER

ISSUE

REVISIONS

A	CO17725	L E B	27 MAY 63
B	CO24941	M B S	2 NOV 68
C	CO26075	M B S	26 AUG 69
D	CO26678	R E R	1 DEC 69
E	CO37528	C J H	31 AUG 76
F	CO58589	R E R	12 APR 77
G	CO39046	G A S	18 SEPT 77
H	CO-50326	K A G	24 NOV 81
J	CO58827	T A D	18 DEC 85
K	CO62095	T S K	10 JUL 87

REPLACES

RELEASE NO.

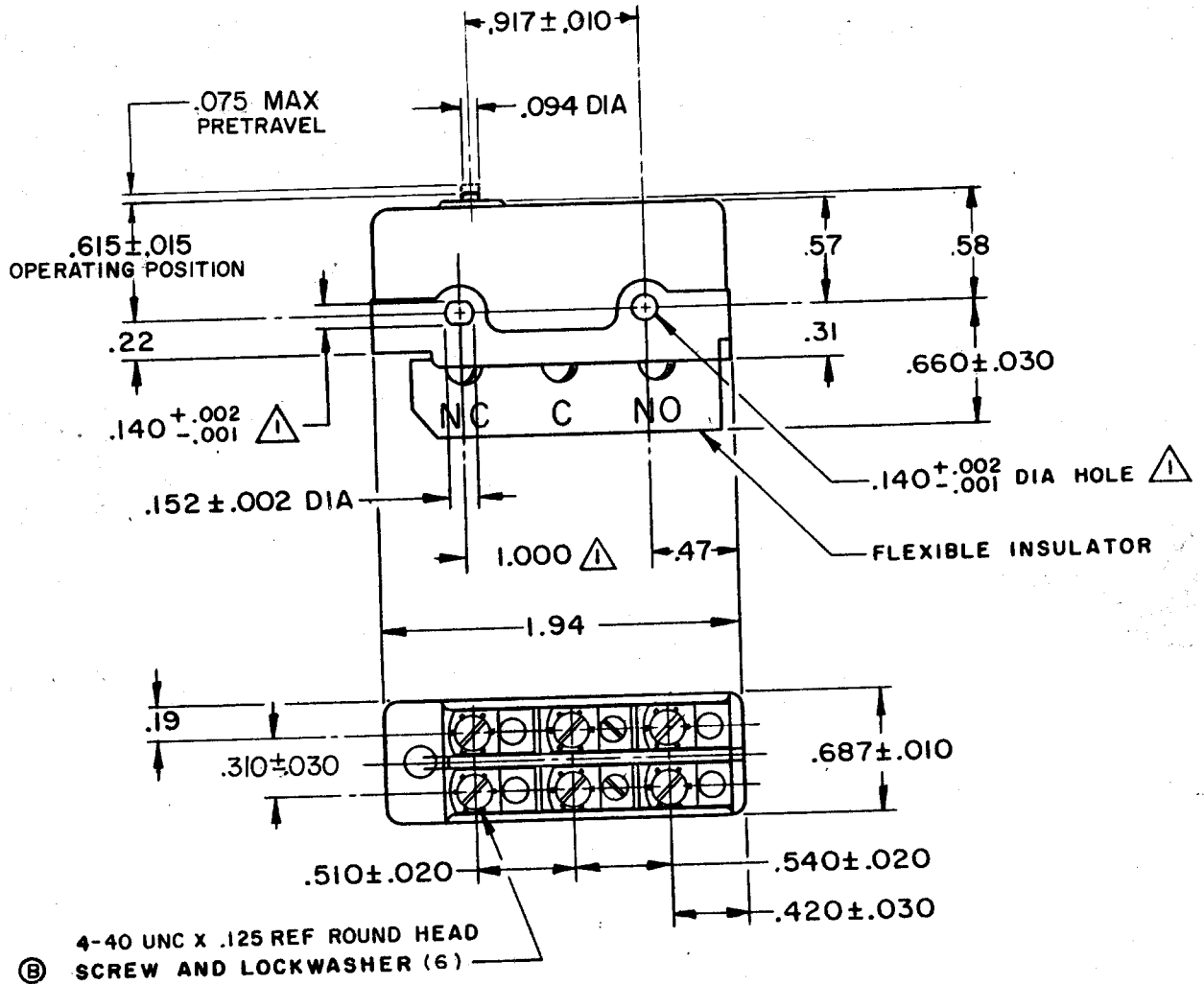
CHECK

CHECK

CHECK

DRAWN

FO-80378



NOTE -

△ - MOUNTING HOLES WILL ACCEPT PINS OR SCREWS OF .139 MAX DIA ON 1.000 ± .002 CENTERS

THIS DRAWING COVERS A PROPRIETARY ITEM AND IS THE PROPERTY OF MICRO SWITCH, A DIVISION OF MINNEAPOLIS-HONEYWELL REGULATOR CO. THIS DRAWING IS NOT TO BE COPIED OR USED WITHOUT THE APPROVAL OF MICRO SWITCH.

CHARACTERISTICS

OPERATING FORCE	12-20 OZ
RELEASE FORCE	2 OZ MIN
DIFFERENTIAL TRAVEL	.040-.060
OVERTRAVEL	.005 MIN

ELECTRICAL DATA

CONTACT ARRANGEMENT	D P D T
UNDERWRITERS' LAB. INC. LISTED RATING	1.5A
	10 A-125 OR 250 VAC
	0.3 A-125 VDC ; 0.15 A-250 VDC
DWL	

SCALE FULL

DO NOT SCALE PRINT

UNLESS OTHERWISE NOTED

DIMENSIONS ARE IN INCHES

TOLERANCES ARE:

ONE PLACE	(.0)	±.030
TWO PLACE	(.00)	±.015
THREE PLACE	(.000)	±.005
ANGLES		±

WEIGHT .078 LB MAX (D)