

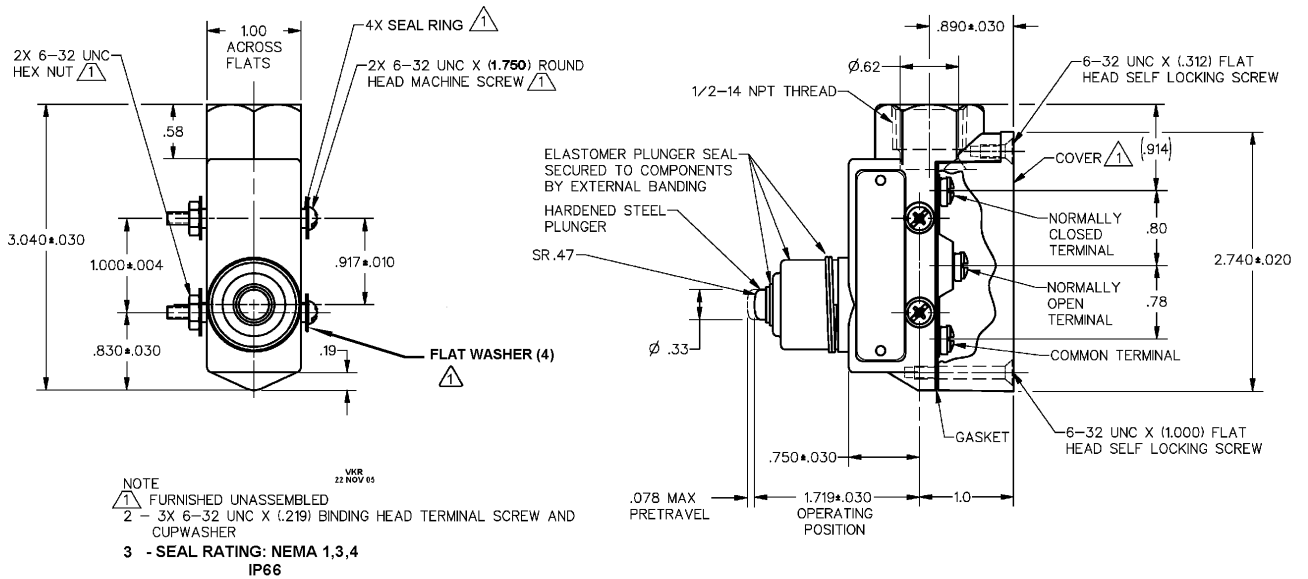
MICRO SWITCH
a Honeywell Division

SWITCH - ENCLOSED

CATALOG LISTING
BZE6-2RN

FED. MFG. CODE 91925

CATALOG LISTING
BZE6-2RN
ISSUE
M
15
PSR
29AUG07
RELEASE NO.
DVM
21AUG06
CHECK
DVM
21AUG06
CHECK
DVM
22NOV05
CHECK
BP
5 OCT 92
DRAWN
S A V
5 OCT 92
CHECK
BP



THIS DRAWING COVERS A PROPRIETARY ITEM AND IS THE PROPERTY OF MICRO SWITCH, A DIVISION OF HONEYWELL. THIS DRAWING IS NOT TO BE COPIED OR USED WITHOUT THE APPROVAL OF MICRO SWITCH.		THIRD ANGLE PROJECTION
CHARACTERISTICS	ELECTRICAL DATA	SCALE FULL
OPERATING FORCE ----- 9-24 OZ	CONTACT ARRANGEMENT	DO NOT SCALE PRINT
RELEASE FORCE ----- 4 OZ MIN	SPDT	UNLESS OTHERWISE SPECIFIED TOLERANCES ARE
DIFFERENTIAL TRAVEL ----- .002 MAX	L74 15A 125, 250 OR 480 VAC	ONE PLACE (.01) ± .030
OVERTRAVEL ----- .219 MIN	2A 600 VAC	TWO PLACE (.00) ± .015
BASIC SWITCH REPLACEMENT ----- BZ-2R077	1/8HP 125 VAC, 1/4HP 250 VAC	THREE PLACE (.000) ± .005
	1/2A 125 VDC, 1/4A 250 VDC	ANGLES ±
	CE 1.5A, 240 Vac	WEIGHT .56 LB

ANSI Y14.5M-1982 APPLIES