

**MICRO SWITCH**  
 FREEPORT, ILLINOIS, U.S.A.  
 A DIVISION OF HONEYWELL  
 FED. MFG. CODE 9189

**SWITCH-ENCLOSED**

CATALOG LISTING  
**BZE6-2RQ2-S**

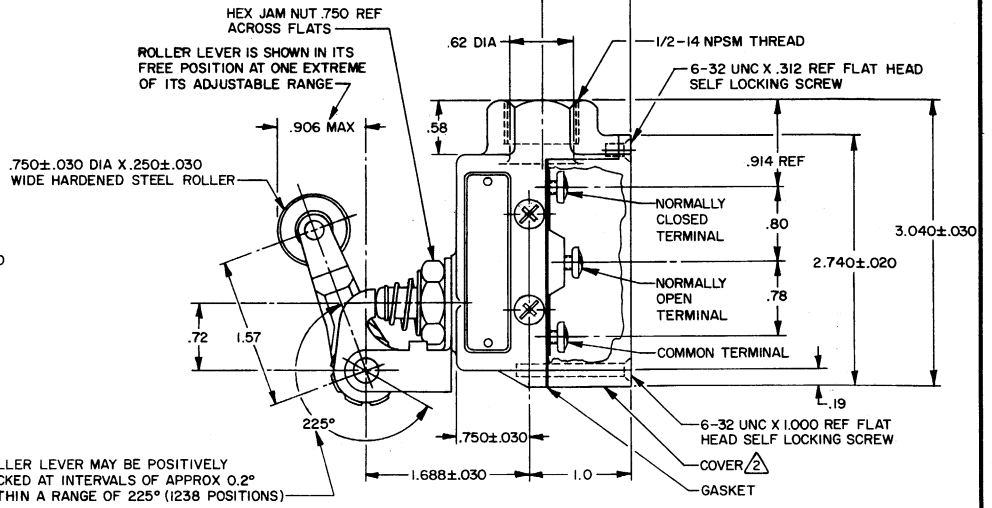
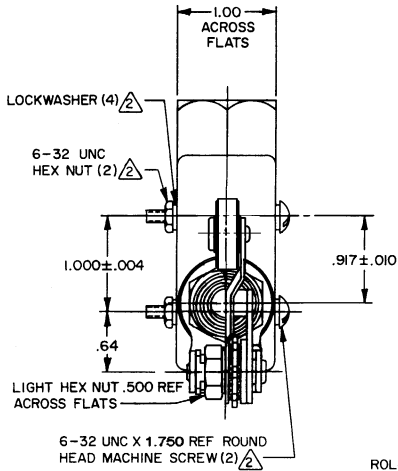
M BZE6-2RQ2-S

ISSUE 2 DRAWING NUMBER 15

REVISIONS  
 A 072618  
 B 018994  
 C 020836  
 D 0333014

DRAWN TSK 3 DEC 85 CHECK TSK 7 DEC 85

RELEASE NO. PR-14396  
 29AUG07  
 PSR  
 29AUG07  
 29AUG07



ROLLER LEVER MAY BE POSITIVELY LOCKED AT INTERVALS OF APPROX 0.2° WITHIN A RANGE OF 225° (1238 POSITIONS)

**NOTES**

- 1 - 6-32 UNC X .219 REF BINDING HEAD TERMINAL SCREW AND CUPWASHER (8) FURNISHED UNASSEMBLED
- 2 - ROLLER LEVER BRACKET ASSEMBLY MAY BE SET AT ANY ONE OF EIGHT POSITIONS SPACED 45° APART
- 4 - SEAL RATING: NEMA1 IP40

|   |                                   |                           |
|---|-----------------------------------|---------------------------|
| THIS DRAWING COVERS A PROPRIETARY ITEM AND IS THE PROPERTY OF MICRO SWITCH, A DIVISION OF HONEYWELL. THIS DRAWING IS NOT TO BE COPIED OR USED WITHOUT THE APPROVAL OF MICRO SWITCH. |                                   |                           |
| <b>CHARACTERISTICS</b>  | <b>ELECTRICAL DATA</b>            | <b>SCALE FULL</b>         |
| OPERATING FORCE-----10-18 OZ  | CONTACT ARRANGEMENT<br>S P D T    | DO NOT SCALE PRINT        |
| RELEASE FORCE----- 6 OZ MIN   | L74                               | UNLESS OTHERWISE NOTED    |
| PRETRAVEL-----.188 MAX  | 15A 125, 250 OR 480VAC 2A 600 VAC | DIMENSIONS ARE IN INCHES  |
| DIFFERENTIAL TRAVEL-----.006 MAX  | 1/8 HP 125 VAC, 1/4 HP 250 VAC    | <b>TOLERANCES ARE:</b>    |
| OVERTRAVEL-----.219 MIN   | 1/2A 125 VDC, 1/4A 250 VDC        | ONE PLACE (.1) ±.005      |
| BASIC SWITCH REPLACEMENT-----BZ-2R068   | CE 1.6A, 240 Vac                  | TWO PLACE (.005) ±.010    |
|   |                                   | THREE PLACE (.0005) ±.005 |
|   |                                   | ANGLES ±.005              |
|   |                                   | WEIGHT .70 LB             |