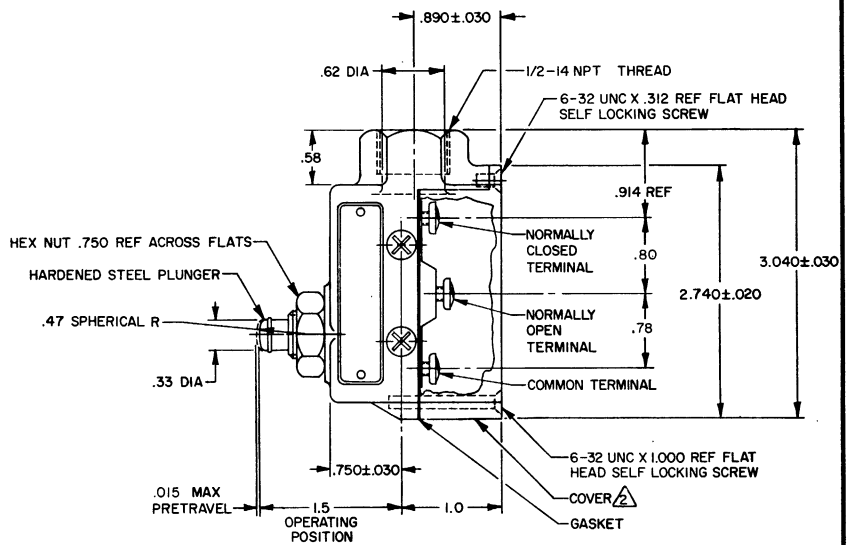
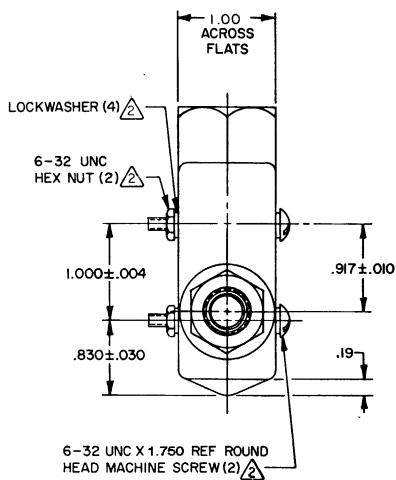


MICRO SWITCH
 FREEPORT, ILLINOIS, U.S.A.
 A DIVISION OF HONEYWELL
 FED. MFG. CODE 9199B

SWITCH-ENCLOSED

CATALOG LISTING
BZE6-2RQ

DRAWING NUMBER
M BZE6-2RQ
 ISSUE 10
 PSR 29AUG07
 RELEASE NO.
 REVISIONS
 A 0038200
 28 AUG 77
 B 005391-G
 C 005598-3
 JAS 6 NOV 84
 D 005499-2
 E 0072618
 F 0016884
 G 0033014
 DRAWN
 J. A. L.
 CHECKED
 K. P. K.
 APPROVED
 J. A. L.
 DATE
 29 AUG 77
 RASTER
 FOR
 MAILING



NOTES -
 1 - 6-32 UNC X .219 REF BINDING HEAD TERMINAL SCREW AND CUPWASHER (3) FURNISHED UNASSEMBLED
 3 - SEAL RATING: NEMA1
 IP40

THIS DRAWING COVERS A PROPRIETARY ITEM AND IS THE PROPERTY OF MICRO SWITCH, A DIVISION OF HONEYWELL. THIS DRAWING IS NOT TO BE COPIED OR USED WITHOUT THE APPROVAL OF MICRO SWITCH.

CHARACTERISTICS	ELECTRICAL DATA	SCALE FULL
OPERATING FORCE ----- 9-13 OZ	CONTACT ARRANGEMENT SPDT	DO NOT SCALE PRINT
RELEASE FORCE ----- 4 OZ MIN	15A-125, 250 OR 480 VAC, 2A-600 VAC 1/8 HP-125 VAC; 1/4 HP-250 VAC	UNLESS OTHERWISE NOTED
DIFFERENTIAL TRAVEL ----- .002 MAX	1/2A-125 VDC; 1/4A-250 VDC	DIMENSIONS ARE IN INCHES
OVERTRAVEL ----- .219 MIN	CODE L74	TOLERANCES ARE:
BASIC SWITCH REPLACEMENT ----- BZ-2R066	1.5A, 240 Vac	ONE PLACE (.01) ± .030 TWO PLACE (.001) ± .018 THREE PLACE (.0001) ± .008 ANGLE ±
		WEIGHT .53 LB