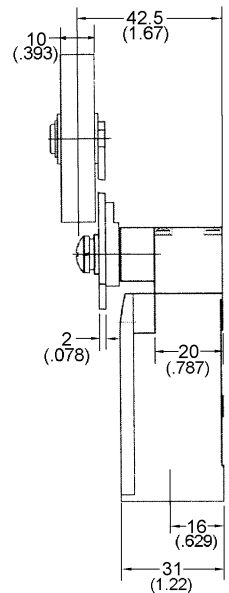
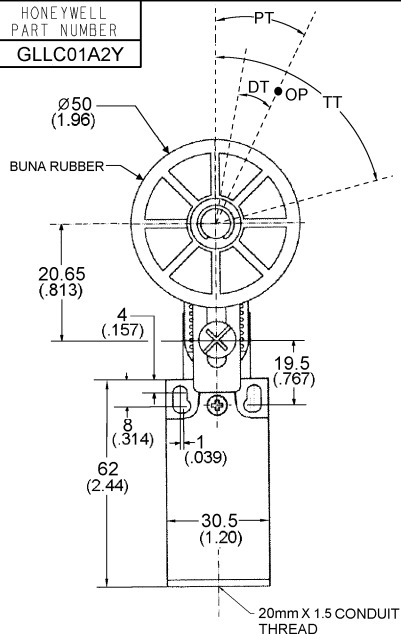


HONEYWELL
PART NUMBER
GLLC01A2Y

REV	DOCUMENT	CHANGED BY	CHECK
C	0016843	KRB 07NOV05	RJ



NOMINAL TRAVELS	
Items	
Operating Torque (max)	12 N-cm (1.062 lb-in)
Release Torque (min)	
PT (max) (Pre-Travel)	30° MAX
OT (min) (Over-Travel)	40°
DT (max) (Differential Travel)	18°
Travel to Operate Positive Break NC Contacts	55°
TT (Total Travel)	70°

- NOTES :
- 1 - BLUE GLASS FIBER REINFORCED PBT HOUSING AND COVER. BLACK GLASS FIBER REINFORCED POM HEAD.
 - 2 - ENCLOSURE DOUBLE INSULATED TO IEC 536 CLASS II.
 - 3 - MINIMUM OPERATING VELOCITY (Vmin) = 1.0 MM/S
MAXIMUM OPERATING VELOCITY (Vmax) = 2 M/S
MAXIMUM OPERATING FREQUENCY (Fmax) = 120 OPS/MIN
 - 4 - FREE POSITION (FP), OPERATING POINT (OP), TOTAL TRAVEL (TT), AND PRETRAVEL (PT) ALL TO EN50047.
 - 5 - MAXIMUM TIGHTENING TORQUE FOR SCREWS
COVER SCREWS : 0.5 Nm (4.4 in-lbs)
LEVER RETAINING SCREW (SIDE ROTARY) : 1 Nm (9 in-lbs)
TERMINAL SCREWS (RECOMMENDED) : 0.8 Nm - 1.0 Nm (7-9 in-lbs)
 - 6 - RECOMMENDED WIRE SIZE : 18 AWG - 16 AWG (.75mm² - 1.5mm²) SOLID
18 AWG - 14 AWG (.75mm² - 2.5mm²) STRANDED



IEC 60947-5-1 ELECTRICAL RATING			
AC		DC	
A600	AC15	Q300	DC13
Ue	Ie	Ue	Ie
120	6	125	0.55
240	3	250	0.27
380	1.9		
480	1.5		
500	1.4		
600	1.2		

Ith = 10A

ENVIRONMENTAL RATINGS	
IP65 NEMA 1, 12, 13	
TEMP RANGE:	-10°C TO 80°C 14°F TO 176°F
SHOCK:	50G FOR IEC 68-2-27
VIBRATION:	10G PER IEC 68-2-6

APPROVALS

EN50047
IEC 60947-5-1

DESIGN UNITS: INCH
TOLERANCES UNLESS NOTED:

NO PLACE	X	±
ONE PLACE	.X	±
TWO PLACE	.XX	±
THREE PLACE	.XXX	±
FOUR PLACE	.XXXX	±
ANGLES		±

THIRD ANGLE PROJECTION

DRAWN	PM	23MAY05
CHECK	-	-

THIS DRAWING COVERS A PROPRIETARY ITEM AND IS THE PROPERTY OF HONEYWELL. THIS DRAWING IS NOT TO BE COPIED OR USED WITHOUT THE PERMISSION OF HONEYWELL.

INTERPRET PER ASME Y14.5M-1994 OTHER HONEYWELL ENGINEERING STANDARDS MAY APPLY

RASTER

Honeywell

TITLE: SWITCH, LIMIT

SIZE	TYPE	DRAWING NAME	REV
B	I	GLLC01A2Y	C

SCALE: - SHEET: 1 OF 1