



# MICRO SWITCH

FREEPORT, ILLINOIS, U.S.A.  
A DIVISION OF HONEYWELL

FED. MFG. CODE 91929

## SWITCH - BASIC

CATALOG LISTING

### BZ - 2R - P1

BZ - 2R - P1  
PAGE 1 OF 1

DRAWING NUMBER

ISSUE 13

#### REVISIONS

A	CO17410	SCH	13 APRIL 63
B	CO31863	SRH	27 MAR 73
C	58037	SMA	1 OCT 85
D	CO-73287-G	JAT	20 OCT 83
E	CO-77591	DAW	22 JUN 94
F	CO93346	DLT	1 SEP 98
G	CO-94212-C	DLT	14 SEP 99

REPLACES

RELEASE NO.

CHECK

CHECK

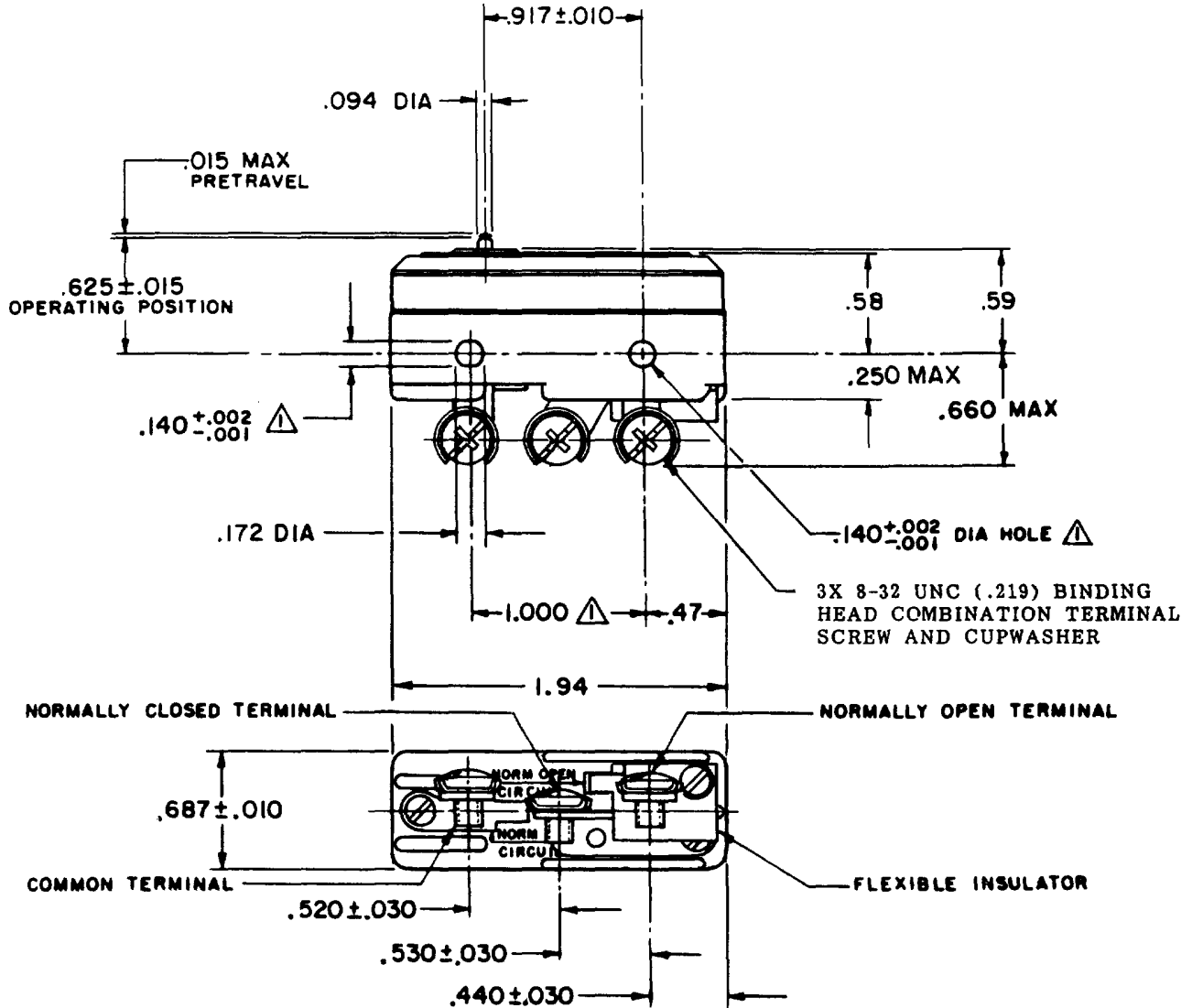
L.S.D 23 APR 63

CHECK

GCH 13 APRIL 63

FORMTEK

FO-80376



NOTE  
 $\Delta$  - MOUNTING HOLES WILL ACCEPT PINS OR SCREWS OF  $.139$  MAX DIA ON  $1.000 \pm .002$  CENTERS

THIS DRAWING COVERS A PROPRIETARY ITEM AND IS THE PROPERTY OF MICRO SWITCH, A DIVISION OF MINNEAPOLIS-HONEYWELL REGULATOR CO. THIS DRAWING IS NOT TO BE COPIED OR USED WITHOUT THE APPROVAL OF MICRO SWITCH.

#### CHARACTERISTICS

OPERATING FORCE ----- 9 - 13 OZ  
 RELEASE FORCE ----- 4 OZ MIN  
 DIFFERENTIAL TRAVEL ----- .0004 - .0020  
 OVERTRAVEL ----- .005 MIN

#### ELECTRICAL DATA

CONTACT ARRANGEMENT  
 S P D - T

UNDERWRITERS' LAB, INC. LISTED RATING  
 15A - 125, 250 OR 480 VAC, 2A - 800 VAC  
 -L74-  
 1/8HP - 125 VAC; 1/4HP - 250 VAC  
 1/2A - 125 VDC; 1/4A - 250 VDC

-L288-  
 -L299-  
 -L306-

CE D S

16A 250V ~ T85 5E4

#### SCALE FULL

DO NOT SCALE PRINT

UNLESS OTHERWISE NOTED

DIMENSIONS ARE IN INCHES

#### TOLERANCES ARE:

ONE PLACE	(.0)	$\pm .030$
TWO PLACE	(.00)	$\pm .015$
THREE PLACE	(.000)	$\pm .005$
ANGLES		$\pm$

WEIGHT .075 LB