

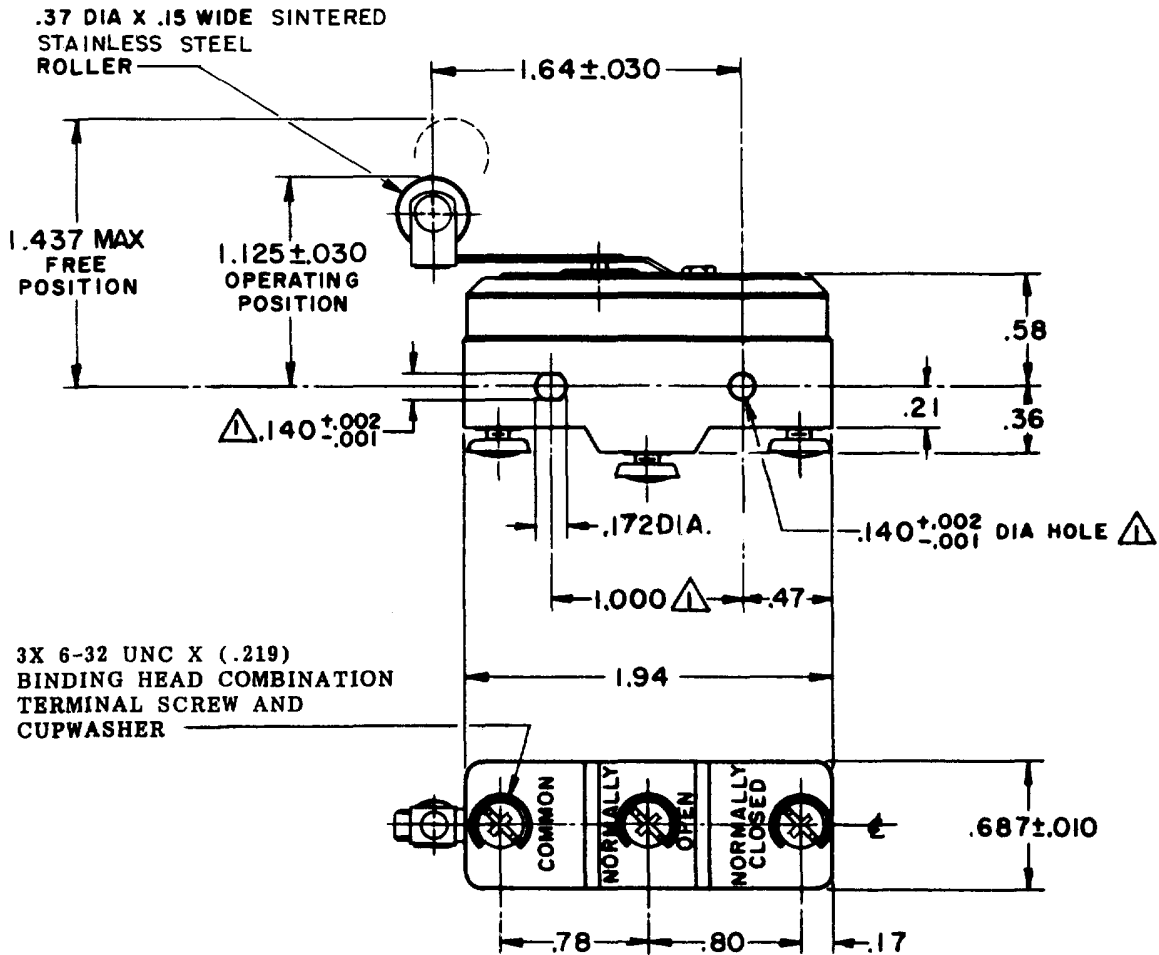
MICRO SWITCH

A DIVISION OF MINNEAPOLIS-HONEYWELL REGULATOR COMPANY
MINNEAPOLIS, MINNESOTA

FED. MFR. CODE 91929

SWITCH - BASIC

BA-2RL2-A2
 PAGE 1 OF 1
M
 DRAWING NUMBER
 9
 ISSUE
 RELEASE NO.
 REVISIONS
 A CO 9600
 L M H 25 MAR 59
 B CO27518
 L S D 29 JUN 70
 C CO-73287-J
 J A L 22 NOV 93
 D CO-75204-B
 W J C 1 FEB 94
 E 77590
 S A D 8 JUN 94
 F CO-92159
 C S L 21 JAN 98
 G CO93346
 D L T 25 AUG 98
 H 0018387
 T S G 18 JAN 06
 CHECK 18 JAN 06
 CHECK 26 MAR 59
 CHECK 26 MAR 59
 CHECK 18 JAN 06



NOTE
 △ MOUNTING HOLES WILL ACCEPT PINS OR SCREWS OF .139 MAX DIA ON 1.000 ± .002 CENTERS

THIS DRAWING COVERS A PROPRIETARY ITEM AND IS THE PROPERTY OF MICRO SWITCH, A DIVISION OF MINNEAPOLIS-HONEYWELL REGULATOR CO. THIS DRAWING IS NOT TO BE COPIED OR USED WITHOUT THE APPROVAL OF MICRO SWITCH.

CHARACTERISTICS	ELECTRICAL DATA	SCALE FULL
OPERATING FORCE ----- 9 OZ MAX	CONTACT ARRANGEMENT S P D T	DO NOT SCALE PRINT
RELEASE FORCE ----- 1 OZ MIN	L23 20A 125, 250 OR 480 VAC 10A 125 VAC "L" 1HP 125 VAC, 2HP 250 VAC	UNLESS OTHERWISE SPECIFIED DIMENSIONS ARE IN INCHES
DIFFERENTIAL TRAVEL ----- .065 MAX	L288 1/2A 125 VDC, 1/4A 250 VDC	TOLERANCES ARE:
DO NOT OVERTRAVEL MORE THAN ----- .060	L308 L315	ONE PLACE (.) ± .030 TWO PLACE (.00) ± .015 THREE PLACE (.000) ± .005 ANGLES ±
	CE	WEIGHT
	20(3)A 250V ~ T85 5E4	

FORMTEK
 DRAWN
 L M H 25 MAR 59
 CHECK 26 MAR 59
 CHECK 18 JAN 06