

MICRO SWITCH

FREEPORT ILLINOIS, U.S.A
A DIVISION OF HONEYWELL
FED. MFG. CODE 91929

SWITCH-BASIC

CATALOG LISTING

YZ-RX58-D5

REPLACES X85318-YZ

RELEASE NO. PR-15024

YZ-RX58-D5

M

DRAWING NUMBER

ISSUE 3

CHECK

REVISIONS	
CO 77592	DAW 15 AUG 94
A 0001191	JLH 20 AUG 03

CHECK

28 AUG 86

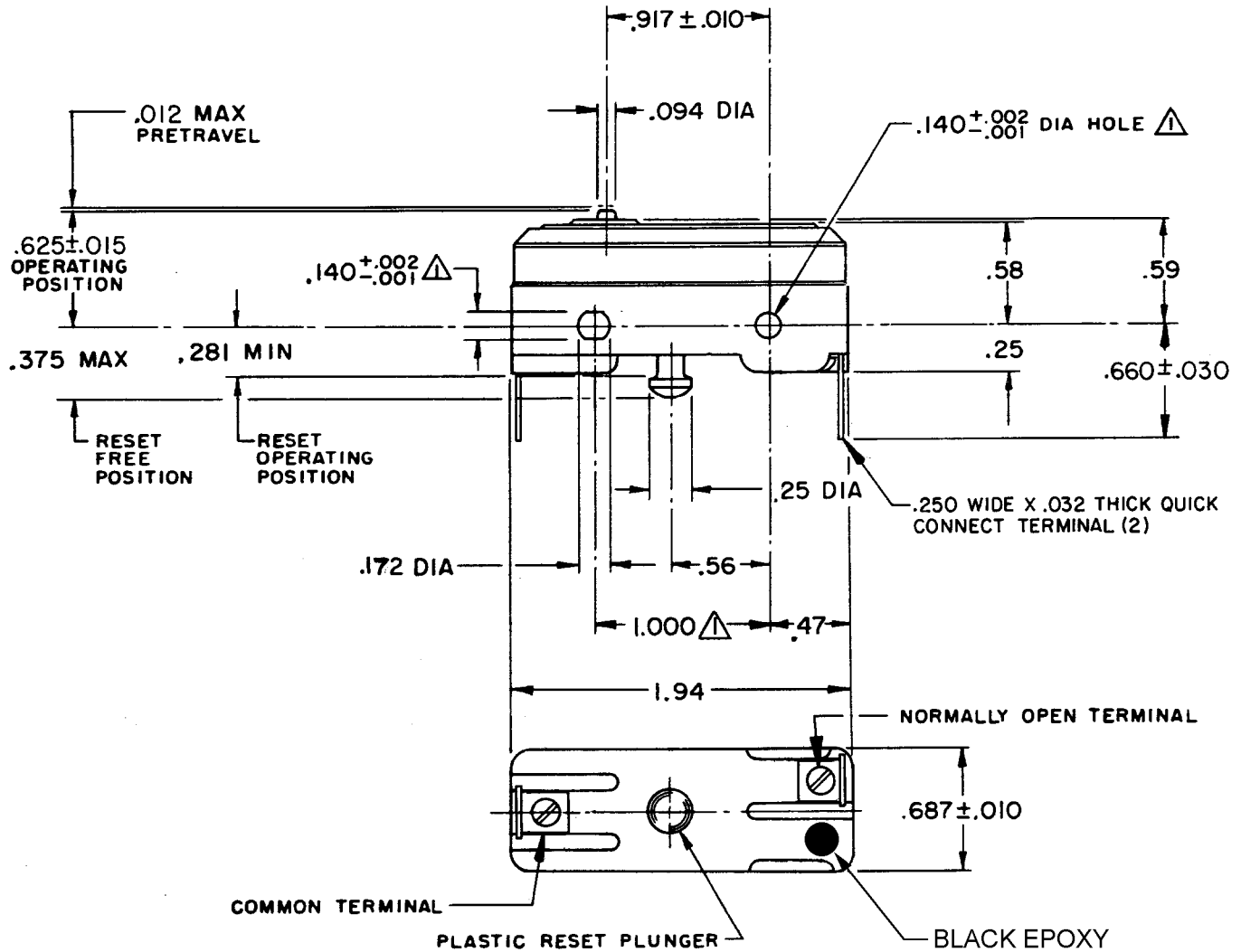
28 AUG 86

28 AUG 86

28 AUG 86

28 AUG 86

RASTER



NOTE -
▲ - MOUNTING HOLES WILL ACCEPT PINS OR SCREWS OF .139 MAX DIA ON 1.000±.002 CENTERS

THIS DRAWING COVERS A PROPRIETARY ITEM AND IS THE PROPERTY OF MICRO SWITCH, A DIVISION OF HONEYWELL. THIS DRAWING IS NOT TO BE COPIED OR USED WITHOUT THE APPROVAL OF MICRO SWITCH.

THIRD ANGLE PROJECTION

CHARACTERISTICS

OPERATING FORCE----- 4 OZ MAX
OVERTRAVEL----- .005 MIN

RESET CHARACTERISTICS

OPERATING FORCE----- 2-10 OZ
OVERTRAVEL----- .015 MIN

ELECTRICAL DATA

CONTACT ARRANGEMENT
SINGLE POLE NORMALLY OPEN
MAINTAINED CONTACT

L67

15A 125, 250 OR 480 VAC
1/4 HP 125 VAC, 1/2 HP 250 VAC
1/2A 125 VDC, 1/4A 250 VDC



SCALE FULL

DO NOT SCALE PRINT

TOLERANCES
APPLY TO DESIGN UNITS. CONVERSIONS ARE ONLY FOR REFERENCE. UNLESS NOTED, TOLERANCES ARE ±

DIM.	TOL.	DIM.	TOL.
mm	mm/in	in	mm/in
NO PLACES	X	1/.04	
ONE PLACE	X,X	0.4/.016	X,X 0.8/.03
TWO PLACES	X,XX	0.15/.006	X,XX 0.38/.015
THREE PLACES	X,XXX		X,XXX 0.13/.005

DESIGN UNITS SI METRIC US CUSTOMARY

WEIGHT