

MICRO SWITCH

A DIVISION OF MINNEAPOLIS-HONEYWELL REGULATOR COMPANY
MINNEAPOLIS, MINNESOTA

FED. MFR. CODE 91929

SWITCH - BASIC

CATALOG LISTING

BE -2RV-A4

BE -2RV-A4

M

DRAWING NUMBER

8 9

X X

ISSUE

X X

REPLACES

RELEASE NO. S R 10731

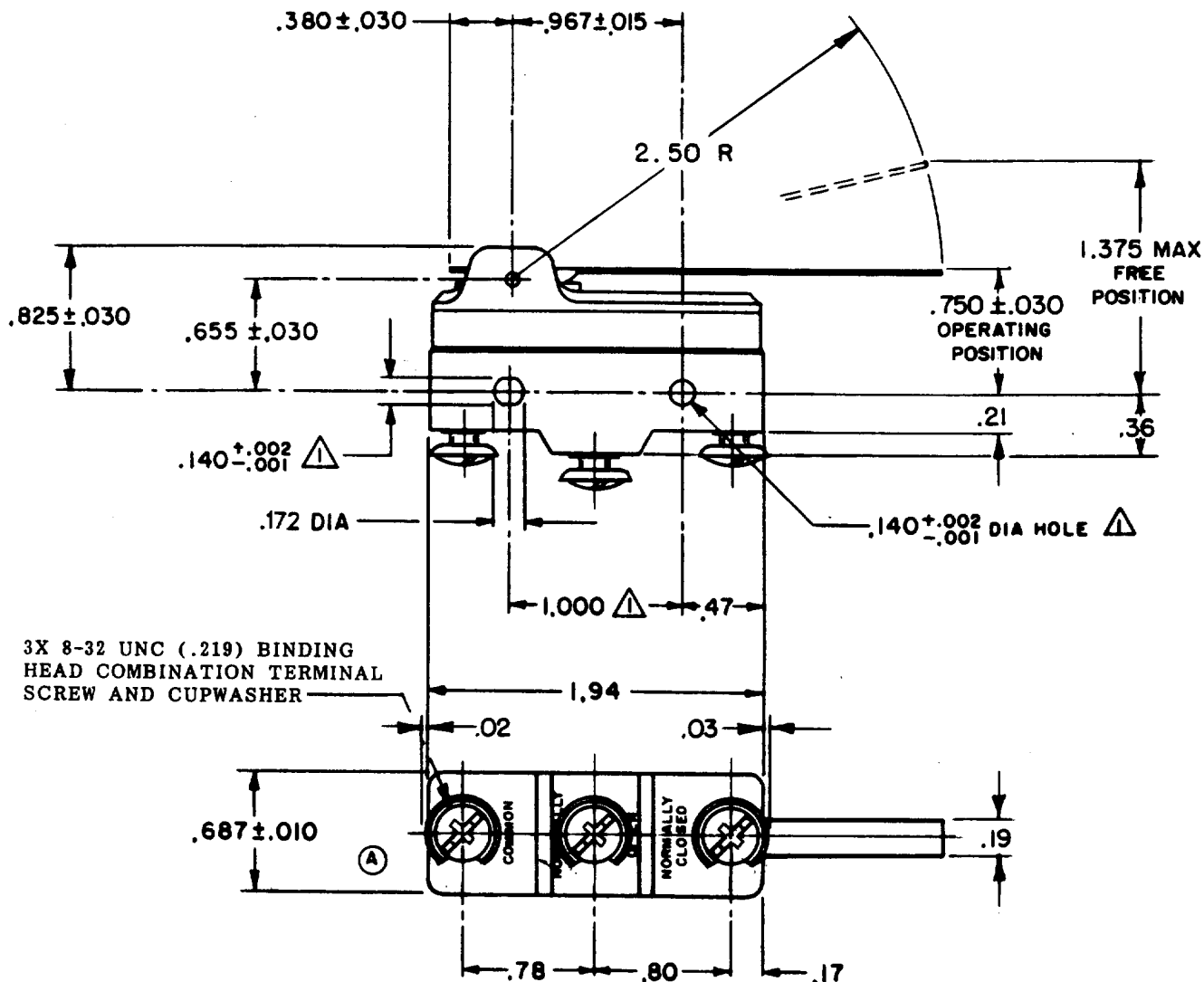
CHECK

CHECK

62 APR 63

CHECK

62 APR 63



3X 8-32 UNC (.219) BINDING HEAD COMBINATION TERMINAL SCREW AND CUPWASHER

NOTE -

▲ - MOUNTING HOLES WILL ACCEPT PINS OR SCREWS OF .139 MAX DIA ON 1.000 ± .002 CENTERS

THIS DRAWING COVERS A PROPRIETARY ITEM AND IS THE PROPERTY OF MICRO SWITCH, A DIVISION OF MINNEAPOLIS-HONEYWELL REGULATOR CO. THIS DRAWING IS NOT TO BE COPIED OR USED WITHOUT THE APPROVAL OF MICRO SWITCH.

CHARACTERISTICS

OPERATING FORCE ----- 2 1/2 OZ MAX
RELEASE FORCE ----- 1/2 OZ MIN
PRETRAVEL ----- .625 MAX
DIFFERENTIAL TRAVEL ----- .109 MAX
OVERTRAVEL ----- .078 MIN

ELECTRICAL DATA

CONTACT ARRANGEMENT
S P D T
25-A-125, 250, 480 VAC 1 HP-125 VAC;
2 HP-250 OR 480 VAC; PILOT DUTY
750 VA-480 VAC, MAX; 60/75°C (Cu)



SCALE FULL

DO NOT SCALE PRINT
UNLESS OTHERWISE SPECIFIED
DIMENSIONS ARE IN INCHES
TOLERANCES ARE:
ONE PLACE (.0) ± .000
TWO PLACE (.00) ± .015
THREE PLACE (.000) ± .005
ANGLES ±

WEIGHT

0-80378