

# MICRO SWITCH

A DIVISION OF MINNEAPOLIS-HONEYWELL REGULATOR COMPANY  
 FREDRICK, ILLINOIS  
 FED. MFR. CODE 91929

# SWITCH-BASIC

CATALOG LISTING  
**BA-2RL**

(M) BA-2RL  
 ISSUE 6

BA-2RL  
 PAGE 1 OF 1

M

DRAWING NUMBER

12

ISSUE

REVISIONS

A	CO 9800	R & D	26 FEB 59
B	CO 94309		
K	P K	JAN 75	
C	CO 77590	SAD	10 JUN 94
D	CO 92159	CSL	21 JAN 98
E	CO 93346	DLT	25 AUG 98
F	CO 94212 - C	DLT	20 SEP 99

FORMTEK  
 DRAWN

REPLACES

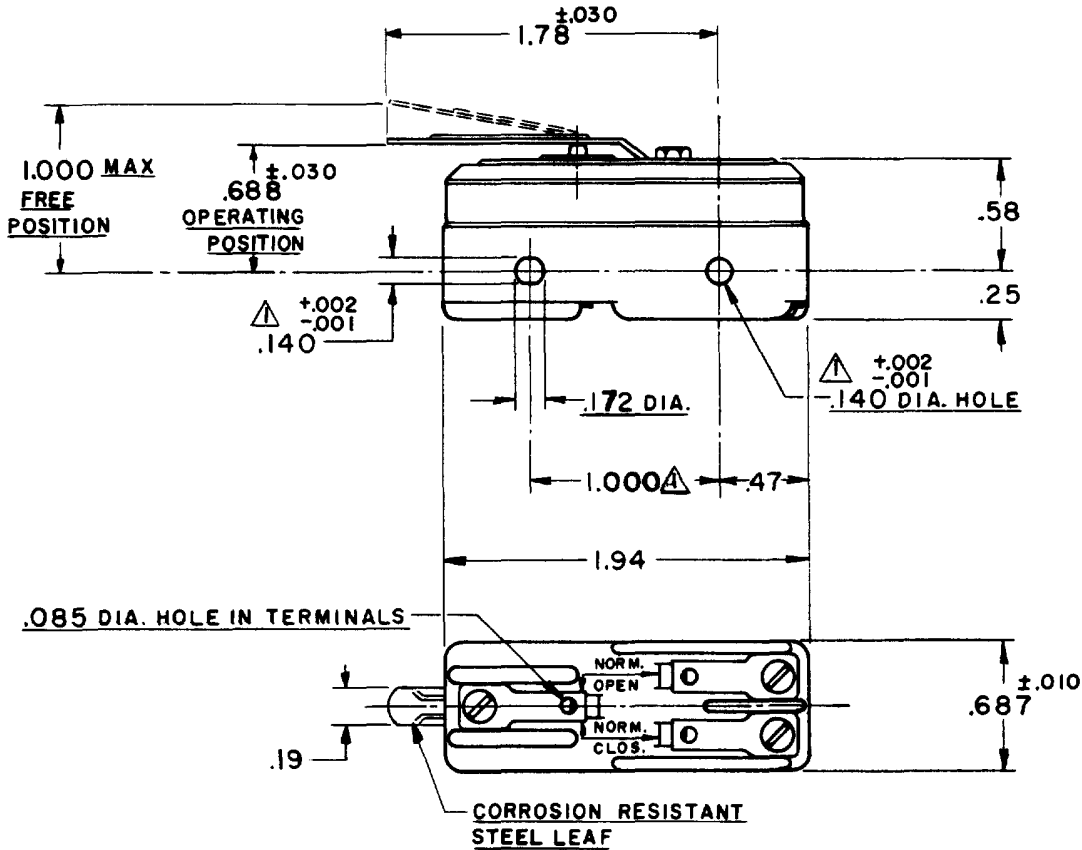
RELEASE NO.

CHECK

CHECK

CHECK

R G D 26 FEB 59



**NOTE**  
 ▲ MOUNTING HOLES WILL ACCEPT PINS OR SCREWS OF .139 MAX. DIA. ON 1.000<sup>±.002</sup> CENTERS.

THIS DRAWING COVERS A PROPRIETARY ITEM AND IS THE PROPERTY OF MICRO SWITCH, A DIVISION OF MINNEAPOLIS-HONEYWELL REGULATOR CO. THIS DRAWING IS NOT TO BE COPIED OR USED WITHOUT THE APPROVAL OF MICRO SWITCH.

CHARACTERISTICS	ELECTRICAL DATA	SCALE FULL
OPERATING FORCE-----9 OZ MAX	CONTACT ARRANGEMENT S P D T	DO NOT SCALE PRINT
RELEASE FORCE-----1 OZ MIN	L23 20A 125, 250 OR 480 VAC 10A 125 VAC "L"	UNLESS OTHERWISE SPECIFIED DIMENSIONS ARE IN INCHES
DIFFERENTIAL TRAVEL-----.065 MAX	1HP 125 VAC, 2HP 250 VAC 1/2A 125 VDC, 1/4A 250 VDC	<b>TOLERANCES ARE:</b>
DO NOT OVERTRAVEL MORE THAN----.062	L288 L299 L308 CE Ⓣ R Ⓢ	ONE PLACE (.9) ±.030 TWO PLACE (.00) ±.015 THREE PLACE (.000) ±.005 ANGLES ±
	20(3)A 250V ~ T85 5E4	WEIGHT .050 LB