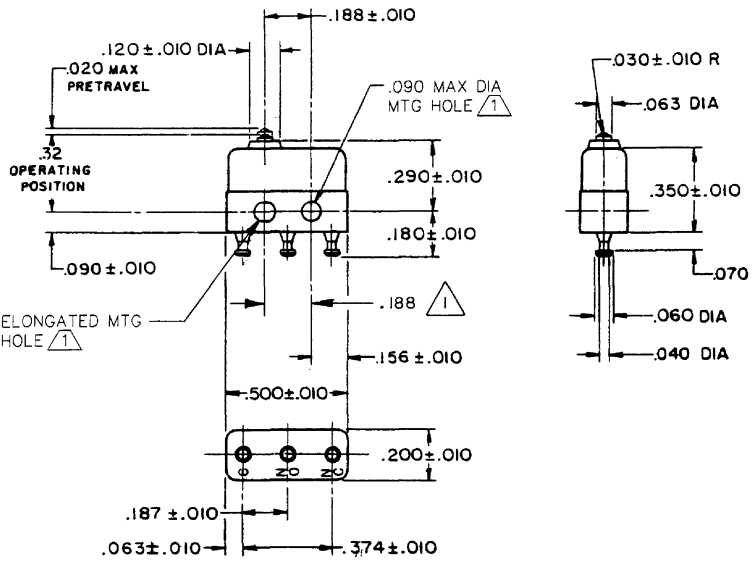
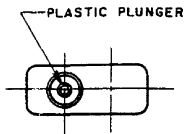


FO-55111-A

HONEYWELL
PART NUMBER
4SX1-T
PRODUCT CODE
VDF0150

REV	DOCUMENT	CHANGED BY	CHECK
9	0038447	SS 28MAR08	BLR



NOTES
 ⚠ MOUNTING HOLES WILL ACCEPT PINS OR SCREWS OF .087 MAX DIA ON .188 ± .002 CENTERS
 2-TERMINALS ARE PLATED FOR SOLDERING
 3-SWITCH WILL WITHSTAND TEMPERATURE OF 400° F

RELEASE NO. SR 9107
 REPLACES

CHARACTERISTICS
OPERATING FORCE - - - - 5 OZ MAX
RELEASE FORCE - - - - 1 OZ MIN
DIFFERENTIAL TRAVEL - - - .005 MAX
OVERTRAVEL - - - - - .004 MIN

ELECTRICAL DATA	
CONTACT ARRANGEMENT S P D T	
28 VOLTS DC RATING	
INDUCTIVE	SEA LEVEL 50,000 FT
RESISTIVE	MAXIMUM INRUSH 24 AMP
APPROVALS	
KEMA CE	7A 250V ~ T125 5E4
UL CSA	7A 250 VAC

DESIGN UNITS: INCH
TOLERANCES UNLESS NOTED:
NO PLACE .X ±
ONE PLACE .XX ±
TWO PLACE .XXX ±
THREE PLACE .XXXX ±
ANGLES ±
THIRD ANGLE PROJECTION

DRAWN	SPK	06FEB08
CHECK	RJ	06FEB08
THIS DRAWING COVERS A PROPRIETARY ITEM AND IS THE PROPERTY OF HONEYWELL. THIS DRAWING IS NOT TO BE COPIED OR USED WITHOUT THE PERMISSION OF HONEYWELL.		
INTERPRET PER ANSI Y14.5M-1982 OTHER HONEYWELL ENGINEERING STANDARDS MAY APPLY		
RASTER		

Honeywell			
TITLE SWITCH - BASIC			
SIZE	TYPE	DRAWING NAME	REV
B	I	4SX1-T	9
SCALE	-	WEIGHT:.003 LB MAX	SHEET 1 OF 1

4

3

2

1