



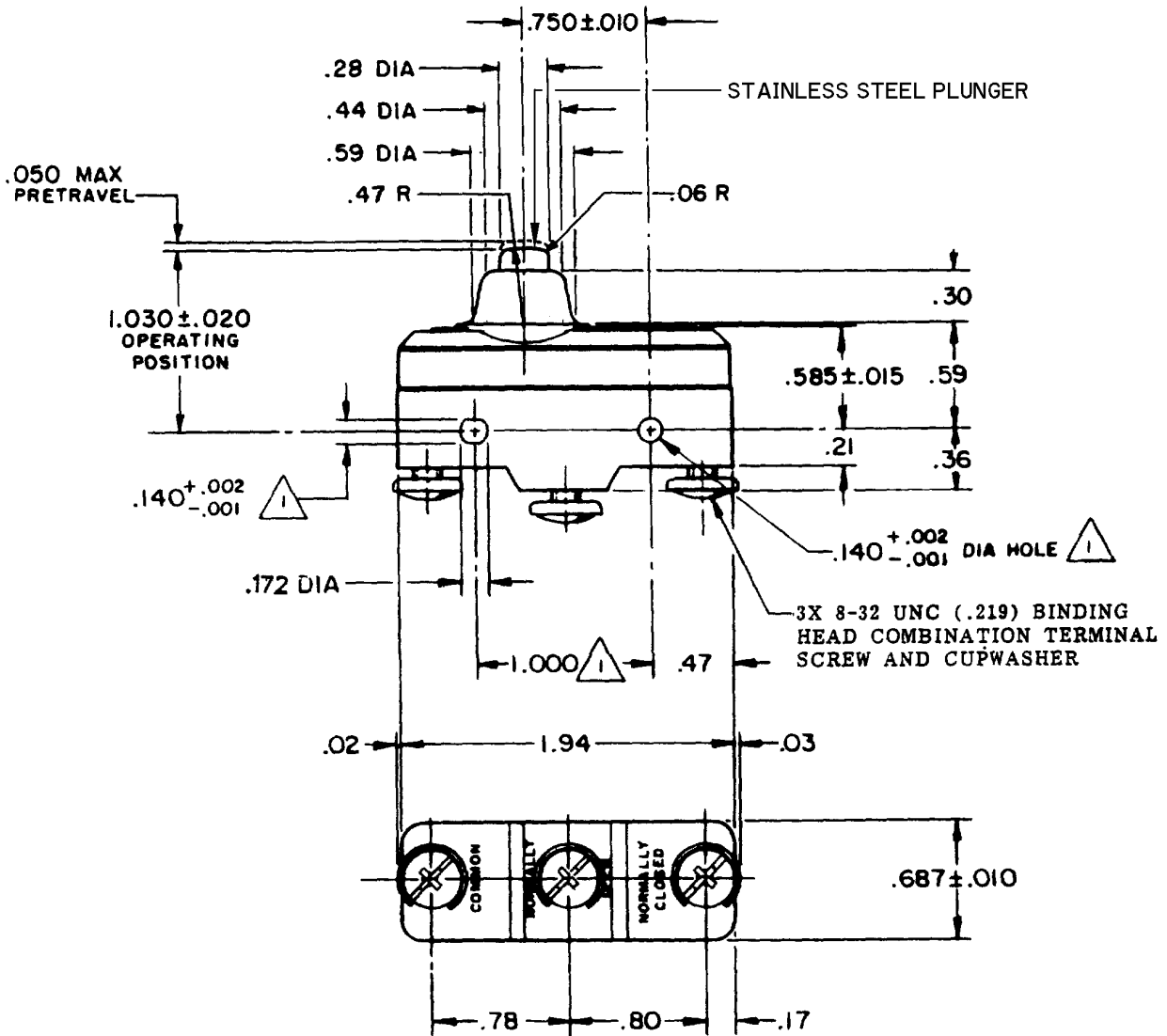
MICRO SWITCH
 FREEPORT ILLINOIS
 A DIVISION OF HONEYWELL
 FED. MFG. CODE 9199

SWITCH - BASIC

CATALOG LISTING

BE-2RB-A4

CATALOG LISTING
BE-2RB-A4
 PAGE 1 OF 1
 DRAWING NUMBER
 ISSUE 11
 REVISIONS
 A CO18851
 G C H
 23 FEB 63
 B OBS DWS
 CO 19201
 JAN
 17 JUL 64
 C REISSUE
 E T S
 H S W
 7 DEC 64
 D SR 12724
 M B F
 9 FEB 67
 E CO 22547
 M B F
 21 FEB 67
 F CO 34450
 B E N
 4 DEC 74
 G CO
 58782
 W J M
 24 JAN 86
 H CO
 73267-G
 J A
 20 OCT 83
 K CO
 77588
 K D R
 29 MAR 94
 L CO
 95750-B
 C S L
 31 MAR 00
 FORMTEK
 FO-30378
 DRAWN
 G C H
 23 FEB 63
 CHECK
 D A W
 S A R
 G 3
 CHECK
 M A R
 G 3
 CHECK
 R E L
 A S E
 S R
 12724
 C H E C K
 R E P L A C E S



NOTE -
 MOUNTING HOLES WILL ACCEPT PINS OR SCREWS
 OF .139 MAX DIA ON 1.000±.002 CENTERS

THIS DRAWING COVERS A PROPRIETARY ITEM AND IS THE PROPERTY OF MICRO SWITCH, A DIVISION OF MINNEAPOLIS-HONEYWELL REGULATOR CO. THIS DRAWING IS NOT TO BE COPIED OR USED WITHOUT THE APPROVAL OF MICRO SWITCH.

CHARACTERISTICS

OPERATING FORCE ----- 14 - 22 OZ
 RELEASE FORCE ----- 10 OZ MIN
 DIFFERENTIAL TRAVEL ----- .0020 - .0075
 OVERTRAVEL ----- .094 MIN

ELECTRICAL DATA

CONTACT ARRANGEMENT
 S P D T

25A-125 or 250VAC
 1HP-125VAC; 2HP-250VAC
 PILOT DUTY 750VA-125, 250, 277VAC
 60/75°C (Cu)

SCALE FULL

DO NOT SCALE PRINT

UNLESS OTHERWISE SPECIFIED
 DIMENSIONS ARE IN INCHES
TOLERANCES ARE:
 ONE PLACE (.0) ±.030
 TWO PLACE (.00) ±.015
 THREE PLACE (.000) ±.005
 ANGLES ±

WEIGHT .064 LB

