

# MICRO SWITCH

A DIVISION OF MINNEAPOLIS-HONEYWELL REGULATOR COMPANY  
MINNEAPOLIS, MINNESOTA

FED. MFR. CODE 91929

# SWITCH - BASIC

CATALOG LISTING

## BA-2RB

CATALOG LISTING  
**BA-2RB**  
PAGE 1 OF 1

**M**  
DRAWING NUMBER

ISSUE 10

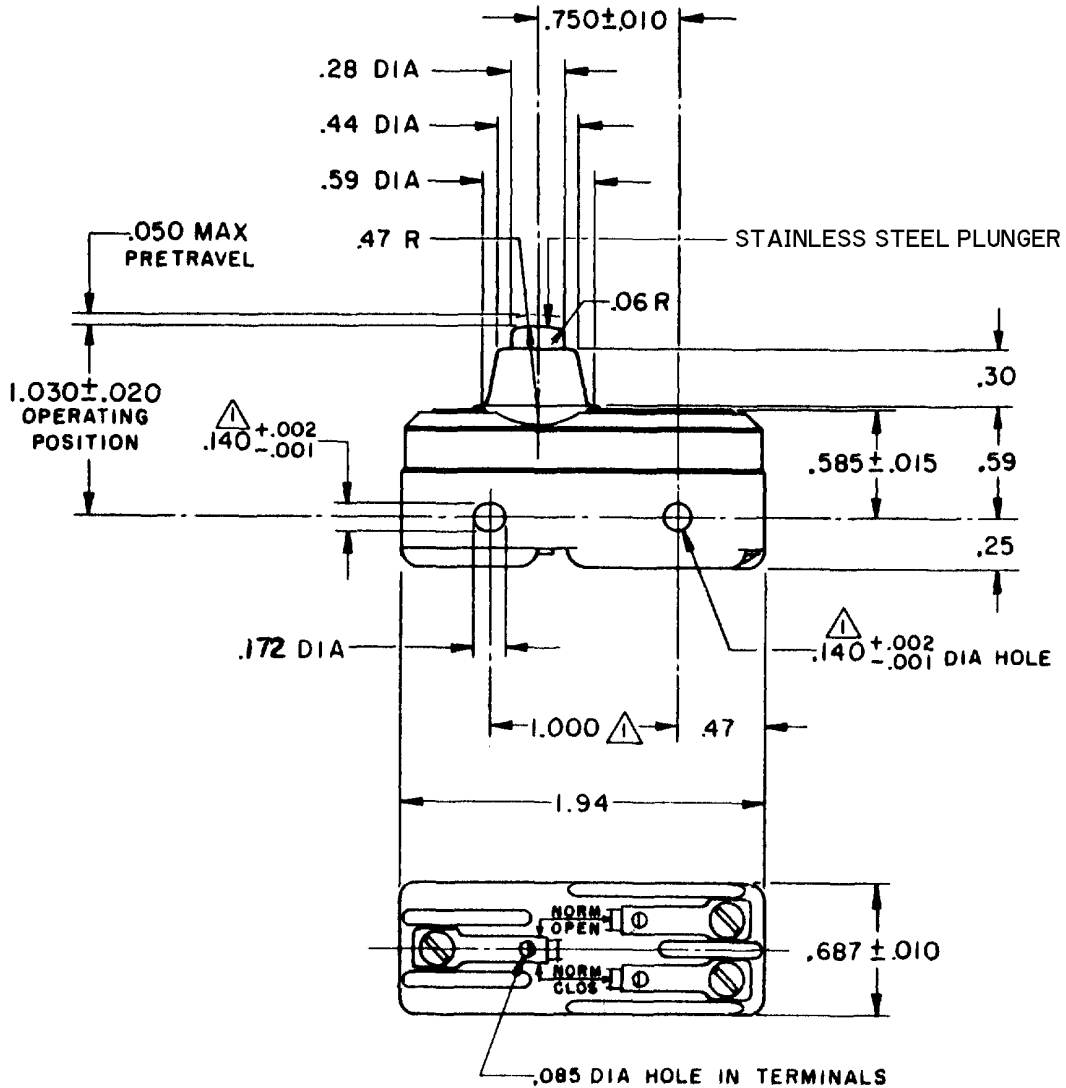
REVISIONS

A	CO 9600	
RER	25 APR 60	
B	CO34310	
K	P	20 DEC 74
C	CO 77590	
SAD	10 JUN 84	
D	CO93346	
DLT	22 AUG 98	
E	CO-94212-C	
DLT	20 SEP 99	
F	CO-95750-B	
CST	31 MAR 00	

FORMTEK  
FO-50376

RELEASE NO. 9 MAY 60

REPLACES (M) BA-2RB ISSUE 4



**NOTE**  
 ▲ MOUNTING HOLES WILL ACCEPT PINS OR SCREWS OF .139 MAX DIA ON 1.000 ± .002 CENTERS

THIS DRAWING COVERS A PROPRIETARY ITEM AND IS THE PROPERTY OF MICRO SWITCH, A DIVISION OF MINNEAPOLIS-HONEYWELL REGULATOR CO. THIS DRAWING IS NOT TO BE COPIED OR USED WITHOUT THE APPROVAL OF MICRO SWITCH.

CHARACTERISTICS	ELECTRICAL DATA	SCALE FULL
OPERATING FORCE - - - - - 14-22 OZ	CONTACT ARRANGEMENT S P D T	DO NOT SCALE PRINT
RELEASE FORCE - - - - - 10 OZ MIN	UNDERWRITERS' LAB. INC. LISTED RATING 20A - 125, 250 OR 480 VAC 10A - 125 VAC "L" 1HP - 125 VAC, 2HP - 250 VAC 1/2A - 125 VDC, 1/4A - 250 VDC	UNLESS OTHERWISE SPECIFIED DIMENSIONS ARE IN INCHES <b>TOLERANCES ARE:</b> ONE PLACE (.0) ±.030 TWO PLACE (.00) ±.015 THREE PLACE (.000) ±.005 ANGLES ±
DIFFERENTIAL TRAVEL - - - .002-.0075		
OVERTRAVEL - - - - - .094 MIN	CE D SP 20(3)A 250V ~ T85 5E4	WEIGHT .051 LB