

MICRO SWITCH

A DIVISION OF MINNEAPOLIS-HONEYWELL REGULATOR COMPANY
MINNEAPOLIS, MINNESOTA

FED. MFR. CODE 91929

SWITCH-BASIC

CATALOG LISTING

BA-2RV

ABN7000

BA-2RV
ISSUE 6

BA-2RV
PAGE 1 OF 1

REPLACES
RELEASE NO.

M

DRAWING
NUMBER

10 X

ISSUE
12

REVISIONS

A	CO 15663	DAW 12 JAN 62
B	CO34312	
C	CO 77590	SAD 10 JUN 94
D	CO93346	
E	CO- 94212-C	DLT 20 SEP 99
F	CO018387	TSG 18 JAN 06

CHECK

18 JAN 06

CHECK

12 JAN 62

CHECK

12 JAN 62

CHECK

12 JAN 62

CHECK

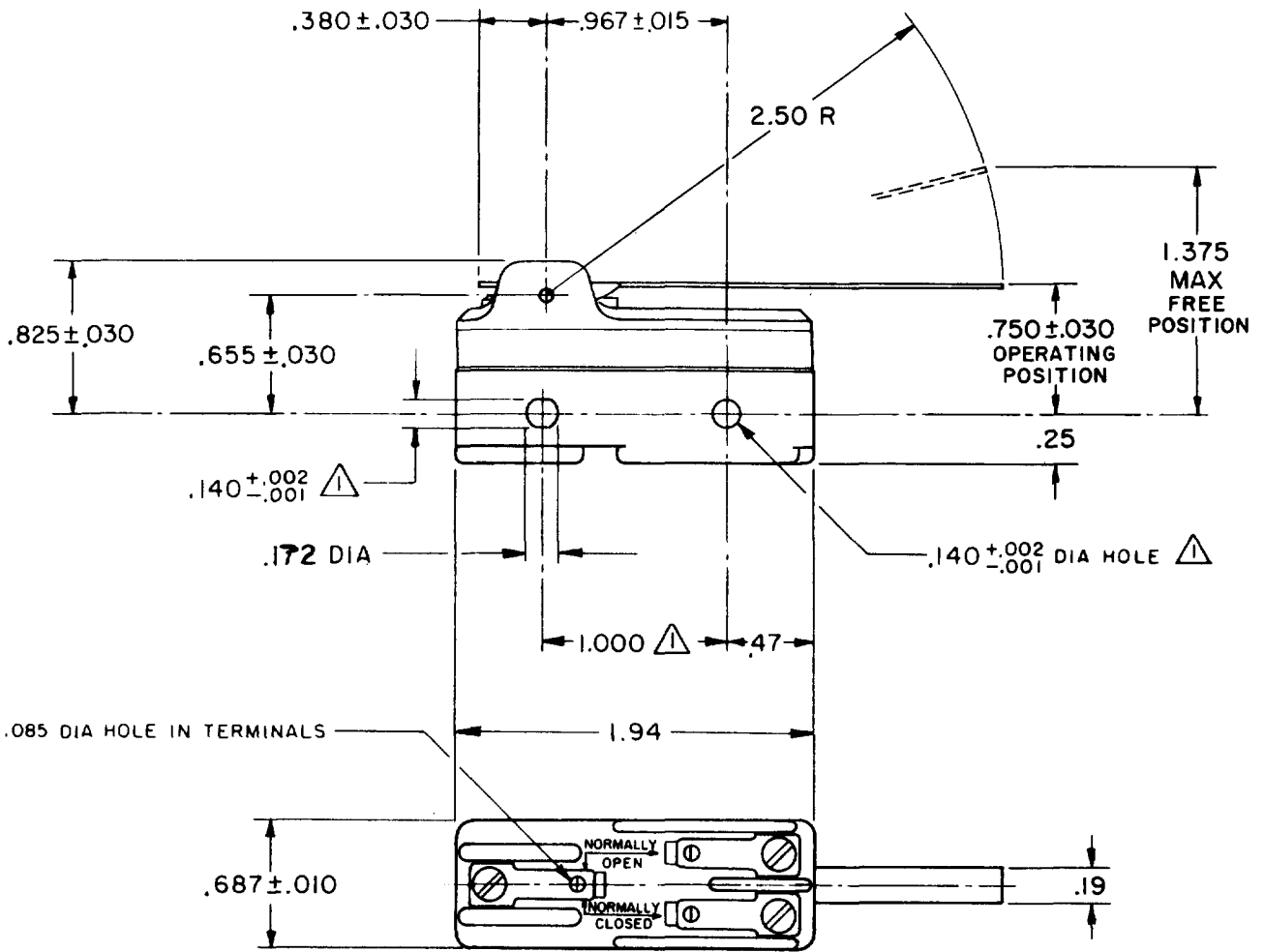
12 JAN 62

CHECK

12 JAN 62

CHECK

12 JAN 62



NOTE
MOUNTING HOLES WILL ACCEPT PINS OR SCREWS
OF .139 MAX DIA ON 1.000 ± .002 CENTERS.

THIS DRAWING COVERS A PROPRIETARY ITEM AND IS THE PROPERTY OF MICRO SWITCH, A DIVISION OF MINNEAPOLIS-HONEYWELL REGULATOR CO. THIS DRAWING IS NOT TO BE COPIED OR USED WITHOUT THE APPROVAL OF MICRO SWITCH.

CHARACTERISTICS	ELECTRICAL DATA	SCALE FULL
OPERATING FORCE ----- 2 1/2 OZ MAX	CONTACT ARRANGEMENT SPDT	DO NOT SCALE PRINT
RELEASE FORCE ----- 1/2 OZ MIN	L23 20A - 125, 250 OR 480 VAC 10A - 125 VAC "L" 1HP - 125 VAC, 2HP - 250 VAC 1/2A - 125 VDC, 1/4A - 250 VDC	UNLESS OTHERWISE SPECIFIED DIMENSIONS ARE IN INCHES TOLERANCES ARE:
PRETRAVEL ----- .625 MAX	L288 L308 L315	ONE PLACE (.0) ±.030 TWO PLACE (.00) ±.015 THREE PLACE (.000) ±.005 ANGLES ±
DIFFERENTIAL TRAVEL ----- .109 MAX	CE	WEIGHT
OVERTRAVEL ----- .078 MIN	20(3)A 250V ~ T85 5E4	

FORMTEK
FO-50378

DRAWN

DAW 12 JAN 62