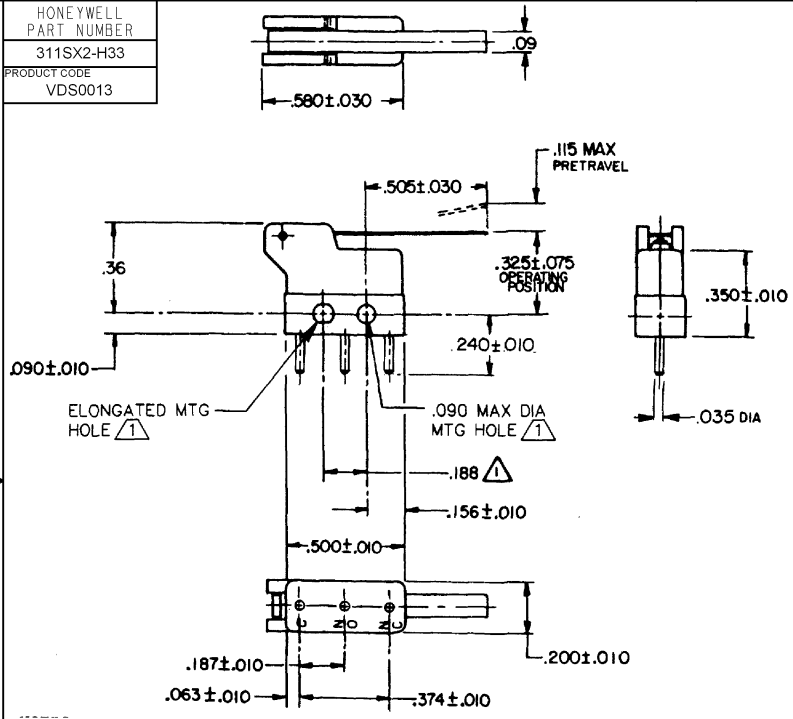


FO-55111-A

HONEYWELL
PART NUMBER
311SX2-H33
PRODUCT CODE
VDS0013

REV	DOCUMENT	CHANGED BY	CHECK
6	0038558	SS 08MAY08	BLR



- NOTES
- 1 MOUNTING HOLES WILL ACCEPT PINS OR SCREWS OF .087 MAX DIA ON .188 ± .002 CENTERS
 - 2 - TERMINALS ARE PLATED FOR SOLDERING
 - 3 - SWITCH WILL WITHSTAND TEMPERATURE OF 250°F

RELEASE NO. PR-15908
REPLACES

CHARACTERISTICS	ELECTRICAL DATA	DESIGN UNITS: INCH TOLERANCES UNLESS NOTED:	DRAWN	SPK	25FEB08	Honeywell
			CHECK	RJ	25FEB08	
OPERATING FORCE - - -30 GRAM MAX	CONTACT ARRANGEMENT S P D T	NO PLACE .X ±	THIS DRAWING COVERS A PROPRIETARY ITEM AND IS THE PROPERTY OF HONEYWELL. THIS DRAWING IS NOT TO BE COPIED OR USED WITHOUT THE PERMISSION OF HONEYWELL.			TITLE
RELEASE FORCE - - - 5 GRAM MIN	28 VOLTS DC RATING 115 VOLTS AC 60 CPS SEA LEVEL 50,000 FT SEA LEVEL	ONE PLACE .X ±	INTERPRET PER ANSI Y14.5M-1982 OTHER HONEYWELL ENGINEERING STANDARDS MAY APPLY			SIZE
DIFFERENTIAL TRAVEL - - .035 MAX	INDUCTIVE 3 AMP 2 AMP 5 AMP RESISTIVE 5 AMP 4 AMP 5 AMP	TWO PLACE .XX ±				B
OVERTRAVEL - - - .025 MIN	APPROVALS	THREE PLACE .XXX ±	OTHER HONEYWELL ENGINEERING STANDARDS MAY APPLY			311SX2-H33
	KEMA CE 5A 250 V - T125 5E4 UL CSA 5A 250 VAC	FOUR PLACE .XXXX ±	RASTER			REV
		ANGLES ±	SCALE - WEIGHT:			6
		THIRD ANGLE PROJECTION	SHEET 1 OF 1			