

MICRO SWITCH

A DIVISION OF MINNEAPOLIS-HONEYWELL REGULATORS COMPANY

FED. MFR. CODE/91929

SWITCH - BASIC

CATALOG LISTING
BA-2RV-A2

ABN7500

BA-2RV-A2
ISSUE 3

REPLACES

RELEASE NO.

CHECK

RJ

CHECK

DLT

G J W

TSG

15 DEC 61

5 JAN 62

5 JAN 62

15 DEC 61

15 DEC 61

15 DEC 61

15 DEC 61

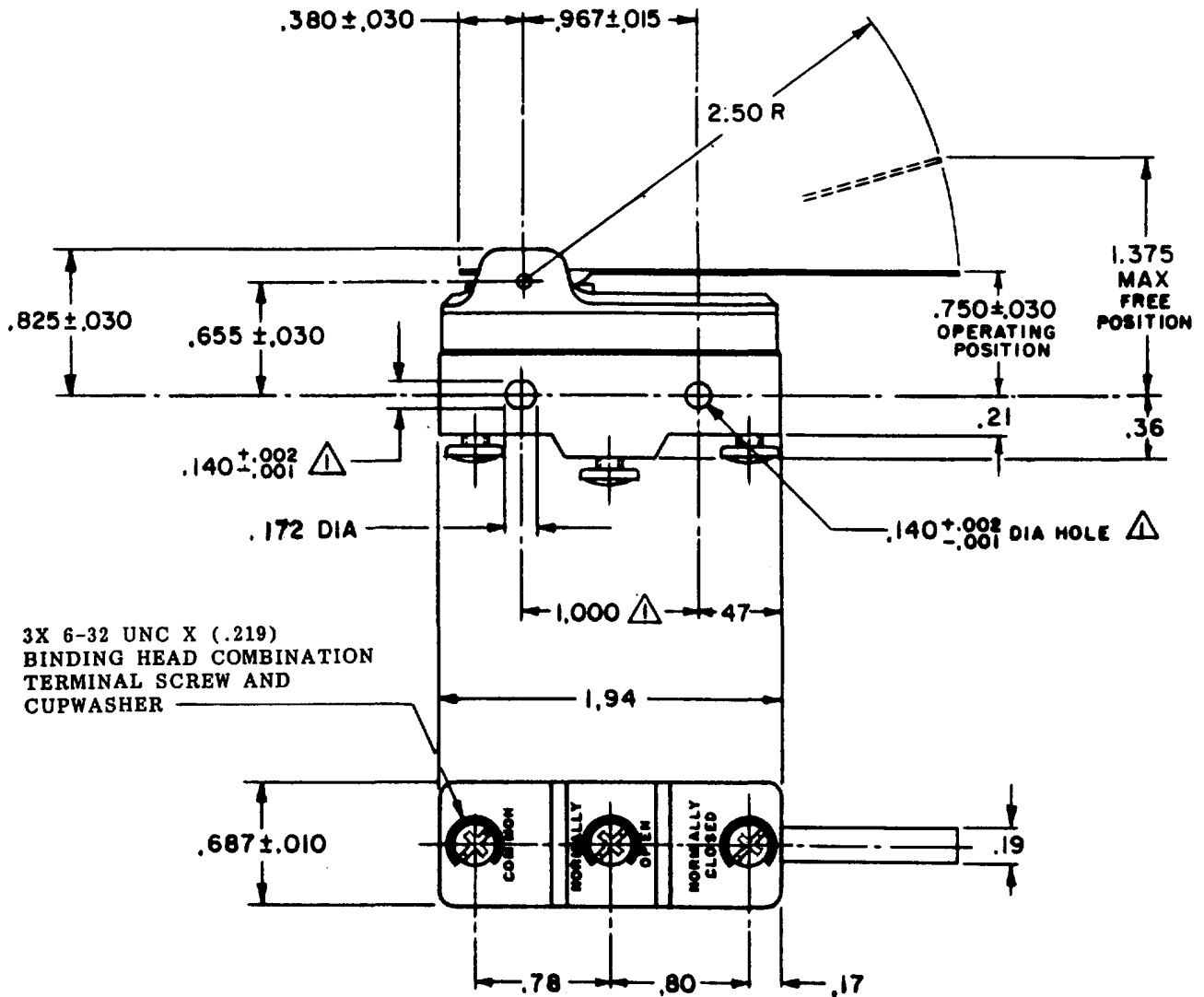
15 DEC 61

15 DEC 61

15 DEC 61

15 DEC 61

15 DEC 61



NOTE
 ▲ - MOUNTING HOLES WILL ACCEPT PINS OR SCREWS
 OF .139 MAX DIA ON 1.000 ± .002 CENTERS

THIS DRAWING COVERS A PROPRIETARY ITEM AND IS THE PROPERTY OF MICRO SWITCH, A DIVISION OF MINNEAPOLIS-HONEYWELL REGULATOR CO. THIS DRAWING IS NOT TO BE COPIED OR USED WITHOUT THE APPROVAL OF MICRO SWITCH.

CHARACTERISTICS		ELECTRICAL DATA		SCALE --- FULL
OPERATING FORCE ----- 2 1/2 OZ MAX		CONTACT ARRANGEMENT S P D T		DO NOT SCALE PRINT
RELEASE FORCE ----- 1/2 OZ MIN		L23 20A - 125, 250 OR 480 VAC 10A - 125 VAC "L" 1HP - 125 VAC, 2HP - 250 VAC 1/2A - 125 VDC, 1/4A - 250 VDC L288 CE 05 RJ SF L308 L315 20(3)A 250V ~ T85 5E4		UNLESS OTHERWISE SPECIFIED DIMENSIONS ARE IN INCHES TOLERANCES ARE: ONE PLACE (.0) ±.050 TWO PLACE (.00) ±.015 THREE PLACE (.000) ±.008 ANGLES ±
PRETRAVEL ----- .625 MAX				
DIFFERENTIAL TRAVEL ----- .109 MAX				
OVERTRAVEL ----- .078 MIN				
				WEIGHT

BA-2RV-A2
PAGE 1 OF 1

M
DRAWING NUMBER
10
ISSUE

REVISIONS

A	CO	18 DEC 61
B	CO	21 APR 73
C	CO	22 NOV 93
D	CO	8 JUN 94
E	CO	26 AUG 98
F	CO	JAN 02
G	CO	18 JAN 06

RASTER
GCH
50378
DRAWN